

# Conductor connectors - QPD C 4PE1,5 1X5-10 BK



1414739

<https://www.phoenixcontact.com/pc/products/1414739>

Please be informed that the data shown in this PDF document is generated from our Online Catalog. Please find the complete data in the user documentation. Our General Terms of Use for Downloads are valid.



Conductor connectors, QUICKON connection, number of positions: 4+PE, 0.5 mm<sup>2</sup> ... 1.5 mm<sup>2</sup>, 690 V, 17.5 A, black, with one QUICKON nut, external cable diameter: 6 mm ... 10 mm, QUICKON fast connection

## Your advantages

- Innovative and time saving - QUICKON fast connection for time saving of up to 80 % for on-site connection
- Robust throughout: housing with IP68/IP69K and IK07 protection for a wide range of applications
- Safer connection with mechanical coding to protect against mismatching, and touch-proof protection in accordance with DIN EN 0105
- Easy and safe - with the cable connector, you can repair or extend cables quickly, in combination with the connector as well as the coupling connection

## Commercial Data

Item number	1414739
Packing unit	1 pc
Minimum order quantity	1 pc
Product Key	BF6CCA
Catalog Page	Page 475 (C-2-2019)
GTIN	4055626033549
Weight per Piece (including packing)	46.3 g
Weight per Piece (excluding packing)	44.5 g
Customs tariff number	85366990
Country of origin	PL

# Conductor connectors - QPD C 4PE1,5 1X5-10 BK



1414739

<https://www.phoenixcontact.com/pc/products/1414739>

## Technical Data

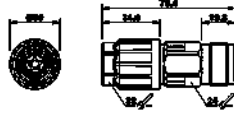
### Product properties

Type	QPD 5x1,5
Product type	Cable connector
Number of positions	5
Connection profile	4+PE
Position marking	1, 2, 3, N, PE
Number of connections per position	1
Locking type	Screw locking
Series	QPD
Coding	Coding profile

### Insulation characteristics

Overvoltage category	III
Degree of pollution	3

### Dimensions

Dimensional drawing	
Width	30 mm
Height	30 mm
Length	79.4 mm
Diameter	30 mm

### Connection data

#### Connection technology

Connection method	QUICKON fast connection
Connection system, internal	IDC connection
Connection technology	QUICKON connection
Frequency of connections between conductors of the same cross section	max. 10

#### Conductor connection

Conductor cross section solid	0.5 mm <sup>2</sup> ... 1.5 mm <sup>2</sup>
Conductor cross section flexible	0.5 mm <sup>2</sup> ... 1.5 mm <sup>2</sup>
Conductor cross section AWG	20 ... 16
Tightening torque, union nut	8 Nm
Tightening torque, counter nut	5 Nm

### Electrical properties

Rated surge voltage (II/2)	8 kV
----------------------------	------

# Conductor connectors - QPD C 4PE1,5 1X5-10 BK



1414739

<https://www.phoenixcontact.com/pc/products/1414739>

Rated surge voltage (III/2)	8 kV
Rated surge voltage (III/3)	6 kV
Rated current	17.5 A
Contact resistance	< 3 mΩ
rated voltage (II/2)	1000 V
rated voltage (III/2)	1000 V
Rated voltage (III/3)	690 V
Nominal voltage U <sub>N</sub>	690 V AC 690 V DC
Nominal current I <sub>N</sub>	17.5 A

## Mechanical properties

### Mechanical data

Insertion/withdrawal cycles	max. 50
-----------------------------	---------

## Material specifications

Color Housing	black
Flammability rating according to UL 94	V0
Insulating material	PA
Contact material	Cu
Contact surface material	silver-plated
Contact carrier material	PA
Housing material	PA

## Cable / line

Structure of individual litz in acc. with VDE 0295 / smallest wire diameter	VDE 0295 class 1 to 6/min. 0.15 mm
External cable diameter	6 mm ... 10 mm
Wire diameter including insulation	1.6 mm ... 3 mm
Position marking	1, 2, 3, N, PE
Wire insulation material	PVC/PE/TPE/rubber
Halogen-free	yes

## Ambient conditions

Degree of protection	IP66 IP68 IP69K
Ambient temperature (operation)	-40 °C ... 100 °C
Temperature when conductor connected	-5 °C ... 50 °C
Ambient temperature (storage/transport)	-40 °C ... 100 °C

# Conductor connectors - QPD C 4PE1,5 1X5-10 BK

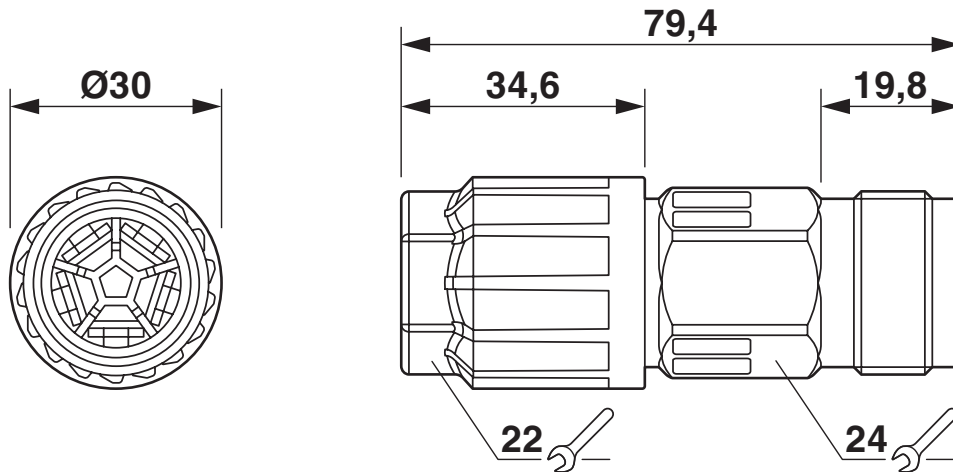


1414739

<https://www.phoenixcontact.com/pc/products/1414739>

## Drawings

Dimensional drawing



Dimensional drawing

# Conductor connectors - QPD C 4PE1,5 1X5-10 BK



1414739

<https://www.phoenixcontact.com/pc/products/1414739>

## Approvals



**IECEE CB Scheme**  
Approval ID: DE1-65875



**EAC**  
Approval ID: RU C-DE.AI30.B.01102



**DNV GL**  
Approval ID: TAE00003J5



**EAC**  
Approval ID: RU C-DE.BL08.B.00511



**VDE Zeichengenehmigung**  
Approval ID: 40029149



**UL Listed**  
Approval ID: E468743

	Nominal Voltage $U_N$	Nominal Current $I_N$	Cross Section AWG	Cross Section $\text{mm}^2$
	600 V	8 A	-	- 16



**cUL Listed**  
Approval ID: E468743

	Nominal Voltage $U_N$	Nominal Current $I_N$	Cross Section AWG	Cross Section $\text{mm}^2$
	600 V	8 A	- 16	-

**cULus Listed**

# Conductor connectors - QPD C 4PE1,5 1X5-10 BK



1414739

<https://www.phoenixcontact.com/pc/products/1414739>

## Classifications

### ECLASS

ECLASS-9.0	27440605
ECLASS-10.0.1	27440605
ECLASS-11.0	27440605

### ETIM

ETIM 8.0	EC002560
----------	----------

### UNSPSC

UNSPSC 21.0	39121400
-------------	----------

# Conductor connectors - QPD C 4PE1,5 1X5-10 BK



1414739

<https://www.phoenixcontact.com/pc/products/1414739>

## Environmental Product Compliance

China RoHS	Environmentally friendly use period: unlimited = EFUP-e
	No hazardous substances above threshold values

# Conductor connectors - QPD C 4PE1,5 1X5-10 BK

1414739

<https://www.phoenixcontact.com/pc/products/1414739>

## Mandatory Accessories

### Connector

Connector - QPD P 4PE1,5 5-10 BK - 1414749

<https://www.phoenixcontact.com/pc/products/1414749>



Connector, QUICKON connection, number of positions: 4+PE, 0.5 mm<sup>2</sup> ... 1.5 mm<sup>2</sup>, 690 V, 17.5 A, black, with QUICKON nut, external cable diameter: 6 mm ... 10 mm

---

### Nut

Nut - QPD N 4PE1,5 5-10 BK - 1415101

<https://www.phoenixcontact.com/pc/products/1415101>



Nut, QUICKON connection, number of positions: 4+PE, 0.5 mm<sup>2</sup> ... 1.5 mm<sup>2</sup>, 690 V, 17.5 A, black, external cable diameter: 6 mm ... 10 mm

---

## Accessories

# Conductor connectors - QPD C 4PE1,5 1X5-10 BK



1414739

<https://www.phoenixcontact.com/pc/products/1414739>

## Coding profile

Coding profile - CP-QPD 5X1,5 - 1414760

<https://www.phoenixcontact.com/pc/products/1414760>



Coding profile red, for pushing into the QUICKON dome and connector, can be positioned in 90° steps.

---

## Socket wrench

Socket wrench - QSS 22 - 1670206

<https://www.phoenixcontact.com/pc/products/1670206>



Allen wrench, for loosening and fastening the QUICKON union nut, WAF 22 mm

# Conductor connectors - QPD C 4PE1,5 1X5-10 BK

1414739

<https://www.phoenixcontact.com/pc/products/1414739>

## Closing cap

Closing cap - SEALING PLUG 7X16 RD - 1400255

<https://www.phoenixcontact.com/pc/products/1400255>



Closing cap, color: red

---

## Panel feed-through

Panel feed-through - QPD W 4PE1,5 5-10 M25 0,5 BK - 1414730

<https://www.phoenixcontact.com/pc/products/1414730>



Panel feed-through, QUICKON connection, number of positions: 4+PE, 0.5 mm<sup>2</sup> ... 1.5 mm<sup>2</sup>, 690 V, 17.5 A, black, with QUICKON nut, external cable diameter: 6 mm ... 10 mm, assembly thread: M25, Single wires, 1.5 mm<sup>2</sup>, cable length: 0.5 m

# Conductor connectors - QPD C 4PE1,5 1X5-10 BK

1414739

<https://www.phoenixcontact.com/pc/products/1414739>

## Panel feed-through

Panel feed-through - QPD W 4PE1,5 5-10 M25 1,0 BK - 1414731

<https://www.phoenixcontact.com/pc/products/1414731>



Panel feed-through, QUICKON connection, number of positions: 4+PE, 0.5 mm<sup>2</sup> ... 1.5 mm<sup>2</sup>, 690 V, 17.5 A, black, with QUICKON nut, external cable diameter: 6 mm ... 10 mm, assembly thread: M25, Single wires, 1.5 mm<sup>2</sup>, cable length: 1 m

---

## Panel feed-through

Panel feed-through - QPD W 4PE1,5 5-10 M25 FC BK - 1414732

<https://www.phoenixcontact.com/pc/products/1414732>



Panel feed-through, QUICKON connection, number of positions: 4+PE, 0.5 mm<sup>2</sup> ... 1.5 mm<sup>2</sup>, 690 V, 17.5 A, black, with QUICKON nut, external cable diameter: 6 mm ... 10 mm, assembly thread: M25, Spade connection (For slip-on sleeves according to DIN 46247-2), 1.5 mm<sup>2</sup>

# Conductor connectors - QPD C 4PE1,5 1X5-10 BK

1414739

<https://www.phoenixcontact.com/pc/products/1414739>

## Conductor connectors

Conductor connectors - QPD C 4PE1,5 2X5-10 BK - 1414740

<https://www.phoenixcontact.com/pc/products/1414740>



Conductor connectors, QUICKON connection, number of positions: 4+PE, 0.5 mm<sup>2</sup> ... 1.5 mm<sup>2</sup>, 690 V, 17.5 A, black, With two QUICKON nuts, external cable diameter: 6 mm ... 10 mm, QUICKON fast connection

---

## T distributor

T distributor - QPD T 4PE1,5 2X5-10 BK - 1414751

<https://www.phoenixcontact.com/pc/products/1414751>



T distributor, QUICKON connection, number of positions: 4+PE, 0.5 mm<sup>2</sup> ... 1.5 mm<sup>2</sup>, 690 V, 17.5 A, black, With two QUICKON nuts, external cable diameter: 6 mm ... 10 mm

# Conductor connectors - QPD C 4PE1,5 1X5-10 BK



1414739

<https://www.phoenixcontact.com/pc/products/1414739>

## T distributor

T distributor - QPD T 4PE1,5 3X5-10 BK - 1414753

<https://www.phoenixcontact.com/pc/products/1414753>



T distributor, QUICKON connection, number of positions: 4+PE, 0.5 mm<sup>2</sup> ... 1.5 mm<sup>2</sup>, 690 V, 17.5 A, black, With three QUICKON nuts, external cable diameter: 6 mm ... 10 mm

---

## H distributor

H distributor - QPD H 4PE1,5 4X5-10 BK - 1414755

<https://www.phoenixcontact.com/pc/products/1414755>



H distributor, QUICKON connection, number of positions: 4+PE, 0.5 mm<sup>2</sup> ... 1.5 mm<sup>2</sup>, 690 V, 17.5 A, black, with QUICKON nut, external cable diameter: 6 mm ... 10 mm, with a sealing bolt

---

Phoenix Contact 2023 © - all rights reserved  
<https://www.phoenixcontact.com>

PHOENIX CONTACT GmbH & Co. KG  
Flachsmarktstraße 8  
D-32825 Blomberg  
+49 (0) 5235-3 00  
[info@phoenixcontact.com](mailto:info@phoenixcontact.com)