

# Housing - HC-ADV-B16-HHWH-1STM32-EMC-AL



1413417

<https://www.phoenixcontact.com/au/products/1413417>

Please be informed that the data shown in this PDF document is generated from our Online Catalog. Please find the complete data in the user documentation. Our General Terms of Use for Downloads are valid.

---



HEAVYCON ADVANCE sleeve housing, B16, with stainless steel screw locking (Allen screw), salt-water-resistant aluminum, height 93.7 mm, with thread, 1 x M32 lateral cable outlet, without surface; conductive seal (EMC properties)

---

1413417

<https://www.phoenixcontact.com/au/products/1413417>

## Commercial Data

Item number	1413417
Packing unit	1 pc
Minimum order quantity	1 pc
Sales Key	BF7APH
Product Key	BF7APH
Catalog Page	Page 617 (C-2-2019)
GTIN	4055626030395
Weight per Piece (including packing)	313.9 g
Weight per Piece (excluding packing)	311.7 g
Customs tariff number	85389099
Country of origin	CN

## Technical Data

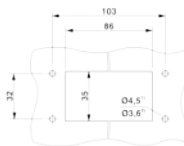
### Notes

General	For contact inserts HC-B16, BB32, D40, DD72, HS6, HV6, M, K
---------	-------------------------------------------------------------

### Product properties

Type	B16
Product type	Housing with screw locking
Application	Offshore/EMC
No. of cable outlets	1
Type of the screw connection	1x M32
Fixing screws	M6 (screw head: 5 mm Allen screw)
Housing type	Sleeve housing
Locking type	with screw locking
Cable outlet	lateral
Pg screw connection	none

### Dimensions

Dimensional drawing	
Width	57 mm
Height	93.7 mm
Length	125.5 mm

### Installation dimensions

Width of the assembly cutout	35 mm
Length of the assembly cutout	86 mm

### Material specifications

Color	gray aluminum
Sealing material	NBR, conductive
Housing surface material	uncoated
Locking latch material	Stainless steel
Impact strength	IK09
Housing material	Die-cast aluminum, salt water resistant

### Ambient conditions

Degree of protection	IP66
	IP68 (0.2 bar/24 h)
	IP69 (ISO 20653:2013-02)
	4 (UL 50e)

1413417

<https://www.phoenixcontact.com/au/products/1413417>

Degree of protection	4X (UL 50e)
	12 (UL 50e)
Impact strength	IK09
Ambient temperature (operation)	-40 °C ... 125 °C

## Mechanical properties

### Mechanical data

Type of the screw connection	1x M32
Locking type	Screw

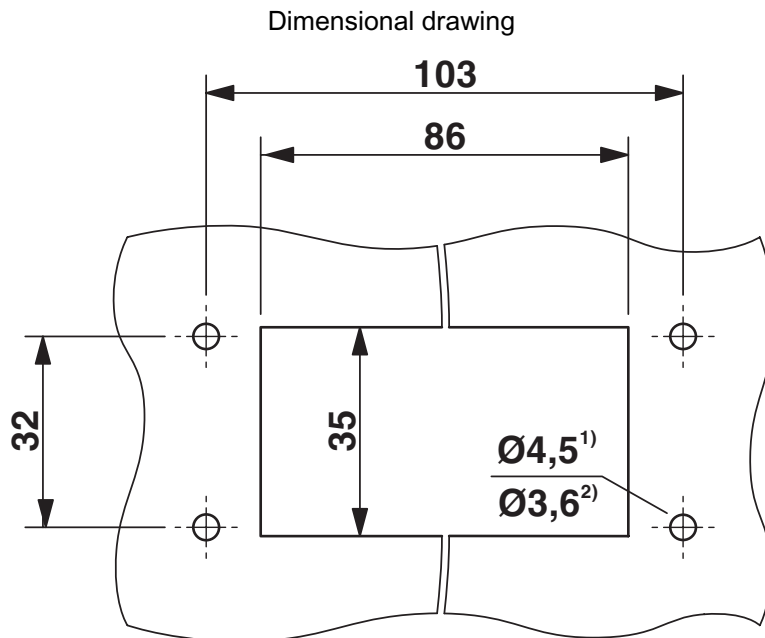
## Mounting

Assembly instructions	In order to guarantee that the ground conductor contact functions even when plugged in at an angle, the two panel mounting flanges must have sufficient electrical contact with the metal mounting panel.
	To ensure optimum shielding, any insulating power coating must be removed from the profile gasket area on the control cabinet panel. Tightening torque of locking screw: 3 Nm.
Fixing screws	M6 (screw head: 5 mm Allen screw)

1413417

<https://www.phoenixcontact.com/au/products/1413417>

## Drawings

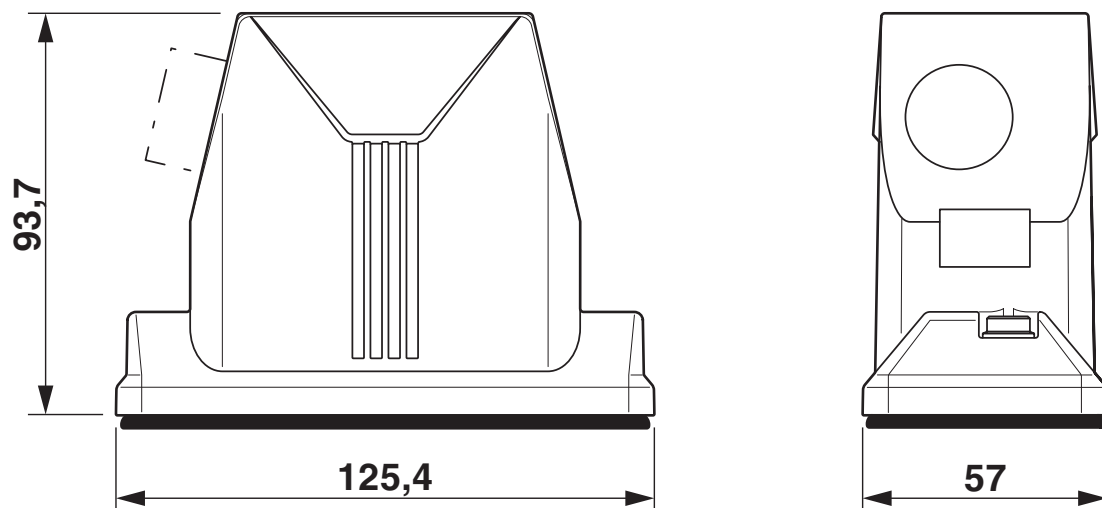


Mounting cutout

1) when M4 screws are used

2) when self-tapping Torx® screws are used (Torx® 20, M4)

Dimensional drawing



Dimensional drawing

1413417

<https://www.phoenixcontact.com/au/products/1413417>

## Approvals

**DNV**

Approval ID: TAE000037S



**cUL Recognized**

Approval ID: E255026



**UL Recognized**

Approval ID: E255026



**EAC**

Approval ID: RU C-DE.AI30.B.01102



**EAC**

Approval ID: RU C-DE.BL08.B.00511

**cULus Recognized**

1413417

<https://www.phoenixcontact.com/au/products/1413417>

## Classifications

### ECLASS

ECLASS-9.0	27440202
ECLASS-10.0.1	27440202
ECLASS-11.0	27440202

### ETIM

ETIM 8.0	EC000437
----------	----------

### UNSPSC

UNSPSC 21.0	31261500
-------------	----------

1413417

<https://www.phoenixcontact.com/au/products/1413417>

## Environmental Product Compliance

China RoHS	Environmentally friendly use period: unlimited = EFUP-e
	No hazardous substances above threshold values

1413417

<https://www.phoenixcontact.com/au/products/1413417>

## Accessories

### Mounting flange

Mounting flange - HC-B-AF - 1686533

<https://www.phoenixcontact.com/au/products/1686533>



Panel mounting flange for HEAVYCON-ADVANCE TMS housing with screw locking

---

### Screw connection

Screw connection - WP-G HF IP66 M32 BK - 3240900

<https://www.phoenixcontact.com/au/products/3240900>



Cable gland, metric thread, IP66 protection, straight

# Housing - HC-ADV-B16-HHWH-1STM32-EMC-AL



1413417

<https://www.phoenixcontact.com/au/products/1413417>

## Mounting flange

Mounting flange - HC-B-AF-SET - 1604638

<https://www.phoenixcontact.com/au/products/1604638>

Panel mounting flange for screw locking, set comprising 2 panel mounting flanges with 4 self-tapping screws (M4, Torx<sup>®</sup>) and 4 fan-type washers



---

## Screw connection

Screw connection - WP-G HF IP69K M32 BK - 3240886

<https://www.phoenixcontact.com/au/products/3240886>

Cable gland, metric thread, IP68/69k protection, straight



# Housing - HC-ADV-B16-HHWH-1STM32-EMC-AL

1413417

<https://www.phoenixcontact.com/au/products/1413417>

## Protective cover

Protective cover - HC-B 16-TMS-SD-IP50 - 1690752

<https://www.phoenixcontact.com/au/products/1690752>



Protective cover B16, Clip locking, protective cover material: PA, height: 31.2 mm, seal: no, diameter of retaining cord eyelet: 4 mm, with lanyard

---

## Screw connection

Screw connection - WP-GA HF IP66 M32 BK - 3240928

<https://www.phoenixcontact.com/au/products/3240928>



Cable gland, metric thread, IP66 protection, angled

# Housing - HC-ADV-B16-HHWH-1STM32-EMC-AL

1413417

<https://www.phoenixcontact.com/au/products/1413417>

## Protective cover

Protective cover - HC-B 16-TMS-SD-IP66 - 1411517

<https://www.phoenixcontact.com/au/products/1411517>



HEAVYCON ADVANCE, IP66, B16 protective cover, for panel mounting side, with screw locking, with retaining cord, diameter of retaining cord eyelet: 3 mm

---

## Screw connection

Screw connection - WP-GA HF IP69K M32 BK - 3240914

<https://www.phoenixcontact.com/au/products/3240914>



Cable gland, metric thread, IP68/69k protection, angled

1413417

<https://www.phoenixcontact.com/au/products/1413417>

## Screw insert

Screw insert - SF-BIT-HEXB 5-89 - 1208911

<https://www.phoenixcontact.com/au/products/1208911>



Screw bit, hexagonal with ball head, E6.3-1/4" drive, size: Hex 5 x 89 mm, hardened, suitable for holder according to DIN 3126-F 6.3/ISO 1173

---

## Screw connection

Screw connection - WP-GR HF IP66 M32 BK - 3240956

<https://www.phoenixcontact.com/au/products/3240956>



Cable gland, metric thread, IP66 protection, with strain relief

1413417

<https://www.phoenixcontact.com/au/products/1413417>

## Screwdriver

Screwdriver - SF-M BH - 1212070

<https://www.phoenixcontact.com/au/products/1212070>



Bit screwdriver, with 1/4" quick-action chuck, handle length 119 mm, 2-component handle, with non-slip grip, suitable for bits according to DIN 3126-C 6.3 and E 6.3/ISO 1173, magnetic

---

## Screw connection

Screw connection - WP-GR HF IP69K M32 BK - 3240942

<https://www.phoenixcontact.com/au/products/3240942>



Cable gland, metric thread, IP68/69k protection, with strain relief

1413417

<https://www.phoenixcontact.com/au/products/1413417>

## Screw connection

Screw connection - WP-G PP HF M32 - 3241000

<https://www.phoenixcontact.com/au/products/3241000>



Cable gland made from PP with metric thread, IP65 protection

---

## Cable gland

Cable gland - G-INS-M32-M68N-NNES-S - 1411166

<https://www.phoenixcontact.com/au/products/1411166>



Cable gland, cable gland material: Nickel-plated brass, external cable diameter 15 mm ... 21 mm, shielding: no, connecting thread: M32 x 1.5, color: silver, with O-ring

1413417

<https://www.phoenixcontact.com/au/products/1413417>

## Screw connection

Screw connection - WP-GT PP HF M32 - 3241014

<https://www.phoenixcontact.com/au/products/3241014>



Cable gland made from PP with metric thread, rotatable, IP54 protection

---

## Cable gland

Cable gland - HC-M-KV-M32(19-27) - 1646010

<https://www.phoenixcontact.com/au/products/1646010>



Metal screw connection up to 5 bar, thread length: 8 mm, cable diameter: 19 - 27 mm, WAF 43, screw connection: M32

1413417

<https://www.phoenixcontact.com/au/products/1413417>

## Screw connection

Screw connection - WP-G BRASS IP40 M32 - 3241049

<https://www.phoenixcontact.com/au/products/3241049>



Cable gland made from brass with metric thread, IP40 protection

---

## Screw connection

Screw connection - WP-GT BRASS M32 - 3241035

<https://www.phoenixcontact.com/au/products/3241035>



Cable gland made from brass with metric thread, rotatable, IP40 protection

# Housing - HC-ADV-B16-HHWH-1STM32-EMC-AL



1413417

<https://www.phoenixcontact.com/au/products/1413417>

## Plastic label

Plastic label - US-EMLP (20X9) CUS - 0830085

<https://www.phoenixcontact.com/au/products/0830085>

Plastic label, can be ordered: by card, white, labeled according to customer specifications, mounting type: adhesive, lettering field size: 20 x 9 mm, Number of individual labels: 75



---

## Screw connection

Screw connection - WP-G BRASS IP65 M32 - 3241063

<https://www.phoenixcontact.com/au/products/3241063>

Cable gland made from brass with metric thread, IP65 protection



---

Phoenix Contact 2022 © - all rights reserved  
<https://www.phoenixcontact.com>

PHOENIX CONTACT PTY Ltd  
Unit 7, 2-8 South Street  
Rydalmere NSW 2116  
1300 786 411  
[customerservice@phoenixcontact.com.au](mailto:customerservice@phoenixcontact.com.au)