

Network cable - VS-IP67-IP67-94C-LI/10,0



1413146

<https://www.phoenixcontact.com/us/products/1413146>

Please be informed that the data shown in this PDF document is generated from our Online Catalog. Please find the complete data in the user documentation. Our General Terms of Use for Downloads are valid.



Assembled Ethernet cable, shielded, 4-pair, AWG 26 flexible cable conduit capable (19-wire), RAL 5021 (sea blue), RJ45 connector/IP67 gray to RJ45 connector/IP67, gray, line, length 10 m

Commercial Data

Item number	1413146
Packing unit	1 pc
Minimum order quantity	1 pc
Note	Made to Order (non-returnable)
Sales Key	A08
Product Key	ABNDAJ
Catalog Page	Page 302 (PC-2011)
GTIN	4046356475761
Weight per Piece (including packing)	606.8 g
Weight per Piece (excluding packing)	579.6 g
Customs tariff number	85444210
Country of origin	PL

Network cable - VS-IP67-IP67-94C-LI/10,0



1413146

<https://www.phoenixcontact.com/us/products/1413146>

Technical Data

Product properties

Product type	Data cable preassembled
Number of positions	8
Application	Standard
No. of cable outlets	1
Number of slots	1
Locking type	Push Pull
Shielded	yes
Cable outlet	straight

Insulation characteristics

Overvoltage category	I
Degree of pollution	2

LED signaling

Status display	No
----------------	----

Electrical properties

Transmission medium	Copper
---------------------	--------

Material specifications

Flammability rating according to UL 94	V2
--	----

Connector

Insertion/withdrawal cycles	≥ 750
-----------------------------	-------

Connection 1

Degree of protection	IP67
----------------------	------

Cable / line

Cable length	10.00 m
Cable weight	70.00 kg/km
Cable type	Ethernet
Cable structure	4x2xAWG26/19; S/UTP
External cable diameter	7.70 mm
Outer sheath, material	PUR
Conductor material	Bare Cu litz wires
Conductor structure signal line	19x 0.10 mm
AWG signal line	26
Single wire, color	White-blue, white-orange, white-green, white-brown
Wave impedance	100 Ω ±5 Ω (at 100 MHz)
Smallest bending radius, fixed installation	39 mm (cable, fixed installation)
Smallest bending radius, movable installation	39 mm (Cable, flexible installation)

Network cable - VS-IP67-IP67-94C-LI/10,0



1413146

<https://www.phoenixcontact.com/us/products/1413146>

Smallest bending radius, fixed installation	39 mm (cable, fixed installation)
Smallest bending radius, movable installation	39 mm (Cable, flexible installation)

Ambient conditions

Degree of protection	IP67
Degree of protection	IP67

Network cable - VS-IP67-IP67-94C-LI/10,0

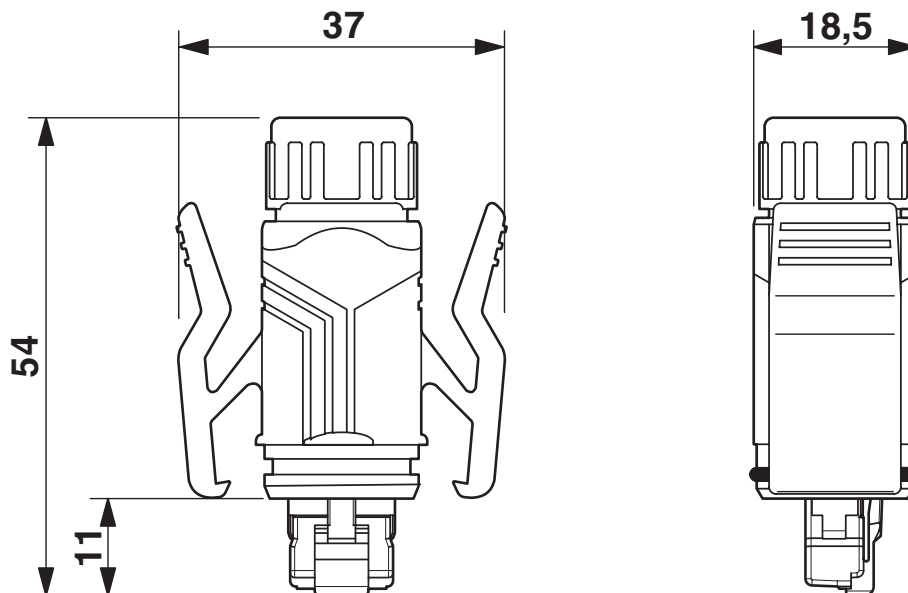


1413146

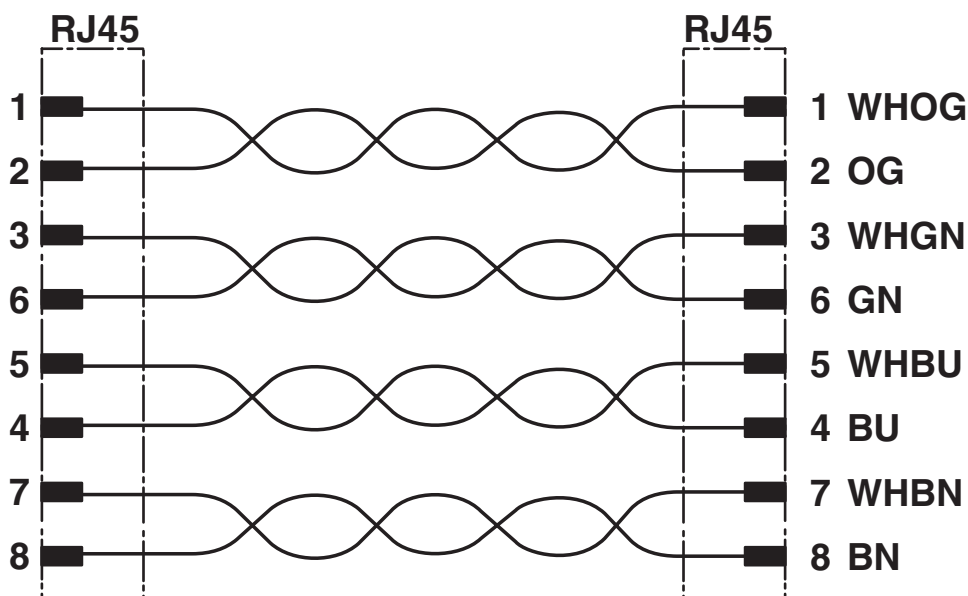
<https://www.phoenixcontact.com/us/products/1413146>

Drawings

Dimensional drawing



Circuit diagram



Network cable - VS-IP67-IP67-94C-LI/10,0



1413146

<https://www.phoenixcontact.com/us/products/1413146>

Approvals



EAC

Approval ID: 19060508

Network cable - VS-IP67-IP67-94C-LI/10,0



1413146

<https://www.phoenixcontact.com/us/products/1413146>

Classifications

ECLASS

ECLASS-9.0	27060308
ECLASS-10.0.1	27060308
ECLASS-11.0	27060308

ETIM

ETIM 8.0	EC002599
----------	----------

UNSPSC

UNSPSC 21.0	26121600
-------------	----------

Network cable - VS-IP67-IP67-94C-LI/10,0



1413146

<https://www.phoenixcontact.com/us/products/1413146>

Environmental Product Compliance

China RoHS	Environmentally friendly use period: unlimited = EFUP-e
	No hazardous substances above threshold values

Phoenix Contact 2022 © - all rights reserved
<https://www.phoenixcontact.com>

Phoenix Contact USA
586 Fulling Mill Road
Middletown, PA 17057, United States
(+717) 944-1300
info@phoenixcon.com