

Housing - HC-STA-B10-HLWD-1STP16-EL-AL



1412635

<https://www.phoenixcontact.com/gb/products/1412635>

Please be informed that the data shown in this PDF document is generated from our Online Catalog. Please find the complete data in the user documentation. Our General Terms of Use for Downloads are valid.



Sleeve housing B10, with double locking latch, material: Die-cast aluminum, salt water resistant, cable outlets: 1, lateral, 1x Pg16, height: 57 mm, cable gland: none, Standard

Your advantages

- good shielding in the event of electromagnetic interference

1412635

<https://www.phoenixcontact.com/gb/products/1412635>

Commercial Data

Item number	1412635
Packing unit	1 pc
Minimum order quantity	1 pc
Sales Key	BF7APB
Product Key	BF7APB
Catalog Page	Page 614 (C-2-2019)
GTIN	4055626059617
Weight per Piece (including packing)	177 g
Weight per Piece (excluding packing)	177 g
Customs tariff number	85389099
Country of origin	PL

1412635

<https://www.phoenixcontact.com/gb/products/1412635>

Technical Data

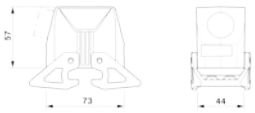
Notes

General	For contact inserts HC-B10, BB18, DD42, M, K8/24
---------	--

Product properties

Type	B10
Product type	Housing with locking latch
Application	Standard
No. of cable outlets	1
Type of the screw connection	1x Pg16
Housing type	Sleeve housing
Locking type	with double locking latch
Cable outlet	lateral
Pg screw connection	none

Dimensions

Dimensional drawing	
Width	44 mm
Height	57 mm
Length	73 mm

Material specifications

Color	gray aluminum
Flammability rating according to UL 94	V0 (Interlock)
Housing surface material	uncoated
Locking latch material	PA
Impact strength	IK09
Housing material	Die-cast aluminum, salt water resistant

Ambient conditions

Degree of protection	IP66
	IP67
Degree of protection	4 (UL 50e)
	4X (UL 50e)
	12 (UL 50e)
Impact strength	IK09
Ambient temperature (operation)	-40 °C ... 125 °C

Mechanical properties

Housing - HC-STA-B10-HLWD-1STP16-EL-AL



1412635

<https://www.phoenixcontact.com/gb/products/1412635>

Mechanical data

Type of the screw connection	1x Pg16
Locking type	Latch

Housing - HC-STA-B10-HLWD-1STP16-EL-AL

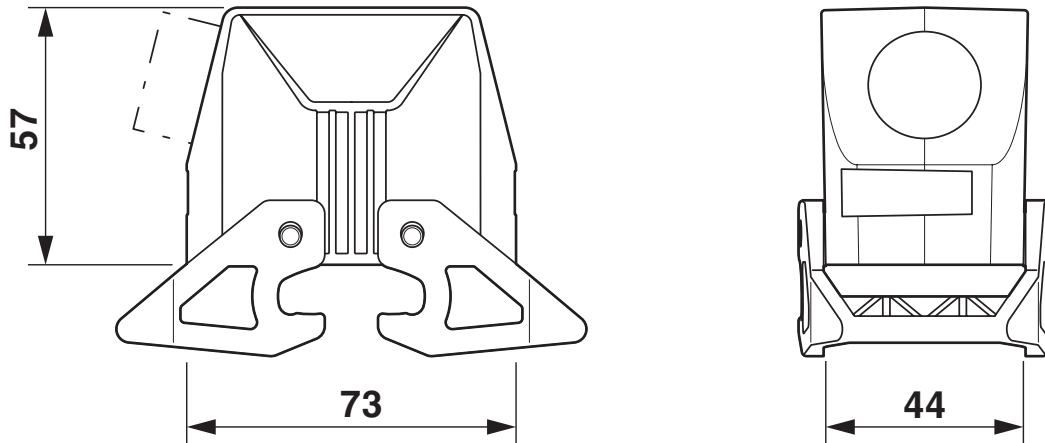


1412635

<https://www.phoenixcontact.com/gb/products/1412635>

Drawings

Dimensional drawing



Dimensional drawing

1412635

<https://www.phoenixcontact.com/gb/products/1412635>

Approvals

DNV

Approval ID: TAE000037S



cUL Recognized

Approval ID: E255026



UL Recognized

Approval ID: E255026



EAC

Approval ID: RU C-DE.AI30.B.01102



EAC

Approval ID: RU C-DE.BL08.B.00511

cULus Recognized

1412635

<https://www.phoenixcontact.com/gb/products/1412635>

Classifications

ECLASS

ECLASS-9.0	27440202
ECLASS-10.0.1	27440202
ECLASS-11.0	27440202

ETIM

ETIM 8.0	EC000437
----------	----------

UNSPSC

UNSPSC 21.0	31261500
-------------	----------

1412635

<https://www.phoenixcontact.com/gb/products/1412635>

Environmental Product Compliance

China RoHS	Environmentally Friendly Use Period = 50 years For information on hazardous substances, refer to the manufacturer's declaration available under "Downloads"
------------	--

1412635

<https://www.phoenixcontact.com/gb/products/1412635>

Accessories

Cable gland

Cable gland - G-INS-PG16-S68N-NNES-S - 1411174

<https://www.phoenixcontact.com/gb/products/1411174>



Cable gland, cable gland material: Nickel-plated brass, external cable diameter 10 mm ... 14 mm, shielding: no, connecting thread: Pg16, color: silver, with O-ring

Screw connection

Screw connection - WP-G HF IP66 PG16 BK - 3240891

<https://www.phoenixcontact.com/gb/products/3240891>



Cable gland, Pg thread, IP66 protection, straight

Housing - HC-STA-B10-HLWD-1STP16-EL-AL

1412635

<https://www.phoenixcontact.com/gb/products/1412635>

Cable gland

Cable gland - G-INSEC-PG16-S68N-NNES-S - 1411199

<https://www.phoenixcontact.com/gb/products/1411199>



Cable gland, cable gland material: Nickel-plated brass, external cable diameter 10 mm ... 14 mm, shielding: yes, connecting thread: Pg16, color: silver, with O-ring

Screw connection

Screw connection - WP-G HF IP69K PG16 BK - 3240877

<https://www.phoenixcontact.com/gb/products/3240877>



Cable gland, Pg thread, IP68/69k protection, straight

Housing - HC-STA-B10-HLWD-1STP16-EL-AL

1412635

<https://www.phoenixcontact.com/gb/products/1412635>

Plastic label

Plastic label - US-EMLP (20X9) CUS - 0830085

<https://www.phoenixcontact.com/gb/products/0830085>

Plastic label, can be ordered: by card, white, labeled according to customer specifications, mounting type: adhesive, lettering field size: 20 x 9 mm, Number of individual labels: 75



Screw connection

Screw connection - WP-GA HF IP66 PG16 BK - 3240919

<https://www.phoenixcontact.com/gb/products/3240919>

Cable gland, Pg thread, IP66 protection, angled



Housing - HC-STA-B10-HLWD-1STP16-EL-AL

1412635

<https://www.phoenixcontact.com/gb/products/1412635>

Housing brackets

Housing brackets - HC-STA-B10-24-DL-PLBK - 1412886

<https://www.phoenixcontact.com/gb/products/1412886>



Double locking latch for B10 / B16 / B24 housing, HC-EVO...AL and HC-STA...AL

Screw connection

Screw connection - WP-GA HF IP69K PG16 BK - 3240905

<https://www.phoenixcontact.com/gb/products/3240905>



Cable gland, Pg thread, IP68/69k protection, angled

Housing - HC-STA-B10-HLWD-1STP16-EL-AL

1412635

<https://www.phoenixcontact.com/gb/products/1412635>

Protective cover

Protective cover - HC-B10-BCSFD-P-BK - 1414628

<https://www.phoenixcontact.com/gb/products/1414628>



Protective cover B10, for double locking latch, protective cover material: PA, height: 18.5 mm, seal: no, diameter of retaining cord eyelet: 40 mm

Screw connection

Screw connection - WP-GR HF IP66 PG16 BK - 3240947

<https://www.phoenixcontact.com/gb/products/3240947>



Cable gland, Pg thread, IP66 protection, with strain relief

Housing - HC-STA-B10-HLWD-1STP16-EL-AL

1412635

<https://www.phoenixcontact.com/gb/products/1412635>

Screw connection

Screw connection - WP-GR HF IP69K PG16 BK - 3240933

<https://www.phoenixcontact.com/gb/products/3240933>



Cable gland, Pg thread, IP68/69k protection, with strain relief

Screw connection

Screw connection - WP-G PP HF PG16 - 3240991

<https://www.phoenixcontact.com/gb/products/3240991>



Cable gland made from PP with Pg thread, IP65 protection

Housing - HC-STA-B10-HLWD-1STP16-EL-AL

1412635

<https://www.phoenixcontact.com/gb/products/1412635>

Screw connection

Screw connection - WP-GT PP HF PG16 - 3241005

<https://www.phoenixcontact.com/gb/products/3241005>



Cable gland made from PP with Pg thread, rotatable, IP54 protection

Screw connection

Screw connection - WP-G BRASS IP40 PG16 - 3241040

<https://www.phoenixcontact.com/gb/products/3241040>



Cable gland made from brass with Pg thread, IP40 protection

Housing - HC-STA-B10-HLWD-1STP16-EL-AL



1412635

<https://www.phoenixcontact.com/gb/products/1412635>

Screw connection

Screw connection - WP-GT BRASS PG16 - 3241026

<https://www.phoenixcontact.com/gb/products/3241026>



Cable gland made from brass with Pg thread, rotatable, IP40 protection

Screw connection

Screw connection - WP-G BRASS IP65 PG16 - 3241054

<https://www.phoenixcontact.com/gb/products/3241054>



Cable gland made from brass with Pg thread, IP65 protection

Phoenix Contact 2022 © - all rights reserved

<https://www.phoenixcontact.com>

PHOENIX CONTACT Ltd

Halesfield 13, Telford

Shropshire, TF7 4PG

01952 681700

info@phoenixcontact.co.uk