

# Flush-type connector - SACC-CIP-M8FS-8P SMD SH R32



1412262

<https://www.phoenixcontact.com/au/products/1412262>

Please be informed that the data shown in this PDF document is generated from our Online Catalog. Please find the complete data in the user documentation. Our General Terms of Use for Downloads are valid.

---

Flush-type connector, 8-position, Socket, straight, M8, A-coded, PCB mounting, SMD



---

## Your advantages

- Reduced mounting costs thanks to two-piece device connector
- Packaging available for automated pick and place assembly
- All common pin assignments and codings available
- Easy device integration thanks to mechanical port screw connections with threaded attachment, press-in contour or direct integration in the front plate
- Additional gasket for the device when not plugged in

# Flush-type connector - SACC-CIP-M8FS-8P SMD SH R32



1412262

<https://www.phoenixcontact.com/au/products/1412262>

## Commercial Data

Item number	1412262
Packing unit	100 pc
Minimum order quantity	100 pc
Sales Key	ABQBAK
Product Key	ABQBAK
GTIN	4046356989039
Weight per Piece (including packing)	5.442 g
Weight per Piece (excluding packing)	5.4 g
Customs tariff number	85366990
Country of origin	DE

# Flush-type connector - SACC-CIP-M8FS-8P SMD SH R32



1412262

<https://www.phoenixcontact.com/au/products/1412262>

## Technical Data

### Notes

Notes on operation	The electrical and mechanical data specified assume that the connector pair is correctly locked and mounted. If the connector is unlocked and if there is a danger of contamination, the connector must be sealed using a protective cap > IP54. Influences arising from litz wires, cables or PCB assembly must also be taken into consideration.
--------------------	--

### Product properties

Product type	Contact insert
Number of positions	8
Shielded	yes
Coding	A - standard

### Insulation characteristics

Overvoltage category	III
----------------------	-----

### Electrical properties

Contact resistance	≤ 3 mΩ
Insulation resistance	≤ 100 MΩ
Nominal voltage U <sub>N</sub>	30 V AC 30 V DC
Nominal current I <sub>N</sub>	1.5 A

### Material specifications

Flammability rating according to UL 94	V0
Sealing material	FKM
Contact material	CuZn
Contact surface material	Au
Contact carrier material	PA

### Connector

Insertion/withdrawal cycles	> 100
-----------------------------	-------

### Header 1

Head design	Socket
Head cable outlet	straight
Head thread type	M8
Coding	A-coded

### Environmental and real-life conditions

#### Ambient conditions

Degree of protection (when plugged in)	IP67 (correctly plugged in and locked)
Degree of protection	IP67

# Flush-type connector - SACC-CIP-M8FS-8P SMD SH R32



1412262

<https://www.phoenixcontact.com/au/products/1412262>

Ambient temperature (operation)	-25 °C ... 105 °C (Plug / socket)
	-40 °C ... 105 °C (without mechanical actuation)

## Standards and regulations

Standards/specifications	IEC 61076-2-104
--------------------------	-----------------

## Mounting

Mounting type	PCB mounting
---------------	--------------

## Packaging specifications

Type of packaging	Belt
-------------------	------

# Flush-type connector - SACC-CIP-M8FS-8P SMD SH R32

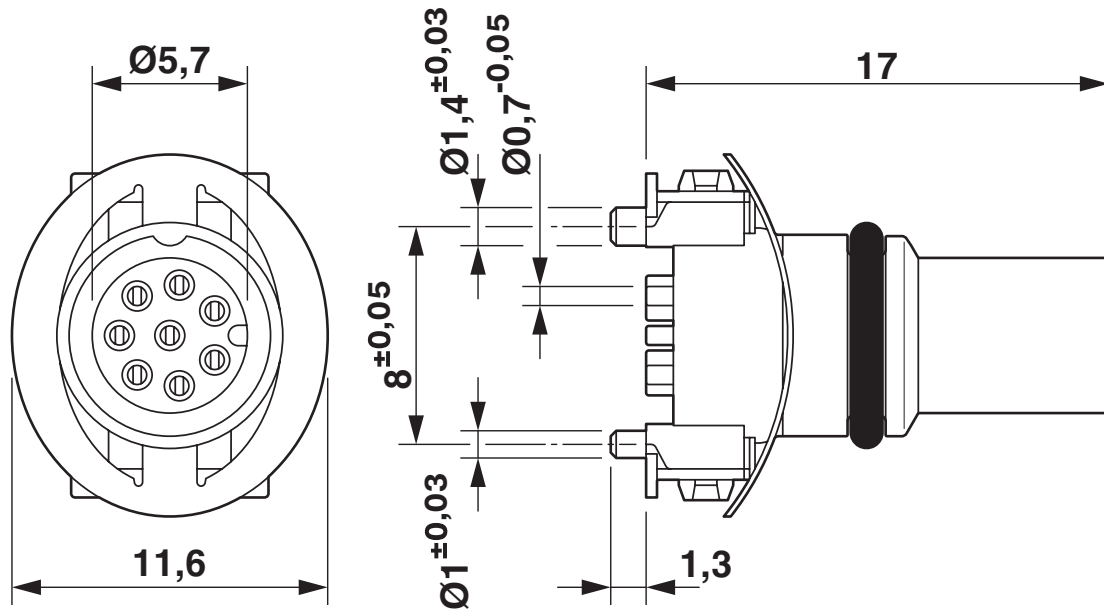


1412262

<https://www.phoenixcontact.com/au/products/1412262>

## Drawings

Dimensional drawing



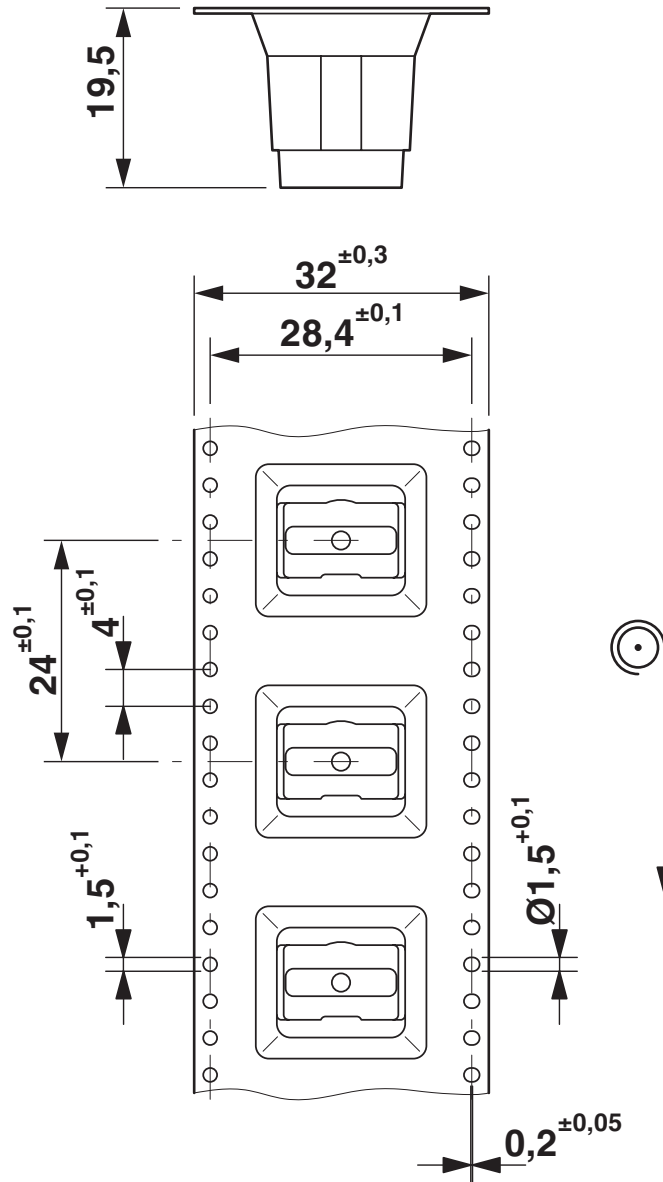
M8 flush-type socket

# Flush-type connector - SACC-CIP-M8FS-8P SMD SH R32

1412262

<https://www.phoenixcontact.com/au/products/1412262>

Dimensional drawing



SMD tape-on-reel packing



# Flush-type connector - SACC-CIP-M8FS-8P SMD SH R32

1412262

<https://www.phoenixcontact.com/au/products/1412262>

Schematic diagram



Connector pin assignment of M8 socket, 8-pos., view of socket side

# Flush-type connector - SACC-CIP-M8FS-8P SMD SH R32



1412262

<https://www.phoenixcontact.com/au/products/1412262>

## Approvals



**EAC**

Approval ID: B.01687



**cULus Recognized**

Approval ID: E221474-20160506

	Nominal Voltage $U_N$	Nominal Current $I_N$	Cross Section AWG	Cross Section $\text{mm}^2$
	30 V	1.5 A	-	-

# Flush-type connector - SACC-CIP-M8FS-8P SMD SH R32



1412262

<https://www.phoenixcontact.com/au/products/1412262>

## Classifications

### ECLASS

ECLASS-9.0	27440102
ECLASS-10.0.1	27440102
ECLASS-11.0	27440102

### ETIM

ETIM 8.0	EC002635
----------	----------

### UNSPSC

UNSPSC 21.0	39121400
-------------	----------

# Flush-type connector - SACC-CIP-M8FS-8P SMD SH R32



1412262

<https://www.phoenixcontact.com/au/products/1412262>

## Environmental Product Compliance

REACH SVHC	Lead 7439-92-1
China RoHS	Environmentally Friendly Use Period = 50 years
	For information on hazardous substances, refer to the manufacturer's declaration available under "Downloads"

# Flush-type connector - SACC-CIP-M8FS-8P SMD SH R32



1412262

<https://www.phoenixcontact.com/au/products/1412262>

## Accessories

### Housing screw connection

Housing screw connection - SACC-BP-F-M8/M12 SMD - 1412506

<https://www.phoenixcontact.com/au/products/1412506>



M8 socket, rear mounting

---

### Housing screw connection

Housing screw connection - SACC-FP-F-M8/M10 SMD - 1412504

<https://www.phoenixcontact.com/au/products/1412504>



M8 female connector, front mounting SMD with M10 screw fastening

# Flush-type connector - SACC-CIP-M8FS-8P SMD SH R32



1412262

<https://www.phoenixcontact.com/au/products/1412262>

## Housing screw connection

Housing screw connection - SACC-FP-F-M8/PRESS SMD - 1412501

<https://www.phoenixcontact.com/au/products/1412501>



M8 socket, press-in mounting

---

Phoenix Contact 2022 © - all rights reserved

<https://www.phoenixcontact.com>

PHOENIX CONTACT PTY Ltd

Unit 7, 2-8 South Street

Rydalmere NSW 2116

1300 786 411

[customerservice@phoenixcontact.com.au](mailto:customerservice@phoenixcontact.com.au)