

Flush-type connector - SACC-CIP-M12FSD-4P SMD R32



1411991

<https://www.phoenixcontact.com/au/products/1411991>

Please be informed that the data shown in this PDF document is generated from our Online Catalog. Please find the complete data in the user documentation. Our General Terms of Use for Downloads are valid.

Flush-type connector, 4-position, Socket, straight, M12, D-coded, PCB mounting, SMD



Your advantages

- Reduced mounting costs thanks to two-piece device connector
- Packaging available for automated pick and place assembly
- All common pin assignments and codings available
- Easy device integration thanks to mechanical port screw connections with threaded attachment, press-in contour or direct integration in the front plate
- Optional shield connection and seal for the device when not plugged in

Flush-type connector - SACC-CIP-M12FSD-4P SMD R32



1411991

<https://www.phoenixcontact.com/au/products/1411991>

Commercial Data

Item number	1411991
Packing unit	100 pc
Minimum order quantity	100 pc
Sales Key	ABQCBK
Product Key	ABQCBK
GTIN	4046356992220
Weight per Piece (including packing)	5.593 g
Weight per Piece (excluding packing)	5.41 g
Customs tariff number	85366990
Country of origin	DE

Flush-type connector - SACC-CIP-M12FSD-4P SMD R32



1411991

<https://www.phoenixcontact.com/au/products/1411991>

Technical Data

Notes

Notes on operation	The electrical and mechanical data specified assume that the connector pair is correctly locked and mounted. If the connector is unlocked and if there is a danger of contamination, the connector must be sealed using a protective cap > IP54. Influences arising from litz wires, cables or PCB assembly must also be taken into consideration.
--------------------	--

Product properties

Product type	Contact insert
Number of positions	4
Coding	D-coded

Insulation characteristics

Overvoltage category	II
Degree of pollution	3

Electrical properties

Rated surge voltage	2.5 kV
Contact resistance	$\leq 3 \text{ m}\Omega$
Insulation resistance	$\geq 100 \text{ M}\Omega$
Nominal voltage U_N	250 V
Nominal current I_N	4 A

Material specifications

Flammability rating according to UL 94	V0
Sealing material	FKM
Contact material	CuZn
Contact surface material	Au
Contact carrier material	PA

Connector

Insertion/withdrawal cycles	> 100
-----------------------------	-------

Header 1

Head design	Socket
Head cable outlet	straight
Head thread type	M12
Coding	D-coded

Environmental and real-life conditions

Ambient conditions

Degree of protection (when plugged in)	IP67 (correctly plugged in and locked)
Degree of protection	IP67

Flush-type connector - SACC-CIP-M12FSD-4P SMD R32



1411991

<https://www.phoenixcontact.com/au/products/1411991>

Ambient temperature (operation)	-25 °C ... 105 °C (Plug / socket)
	-40 °C ... 105 °C (without mechanical actuation)

Standards and regulations

M12

Standards/specifications	IEC 61076-2-101
--------------------------	-----------------

Mounting

Mounting type	PCB mounting
---------------	--------------

Packaging specifications

Type of packaging	Belt
-------------------	------

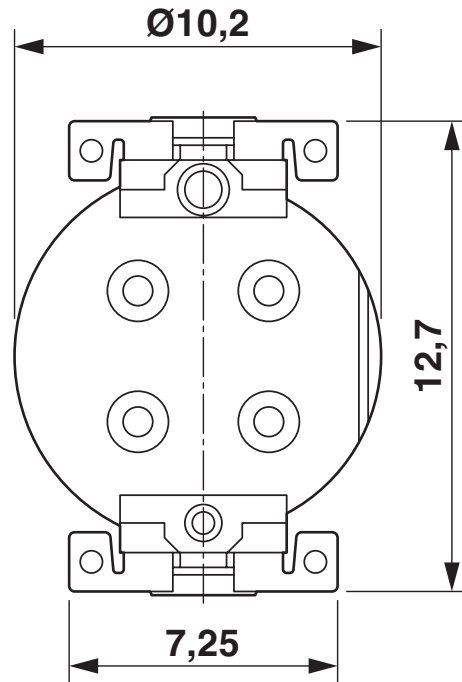
Flush-type connector - SACC-CIP-M12FSD-4P SMD R32

1411991

<https://www.phoenixcontact.com/au/products/1411991>

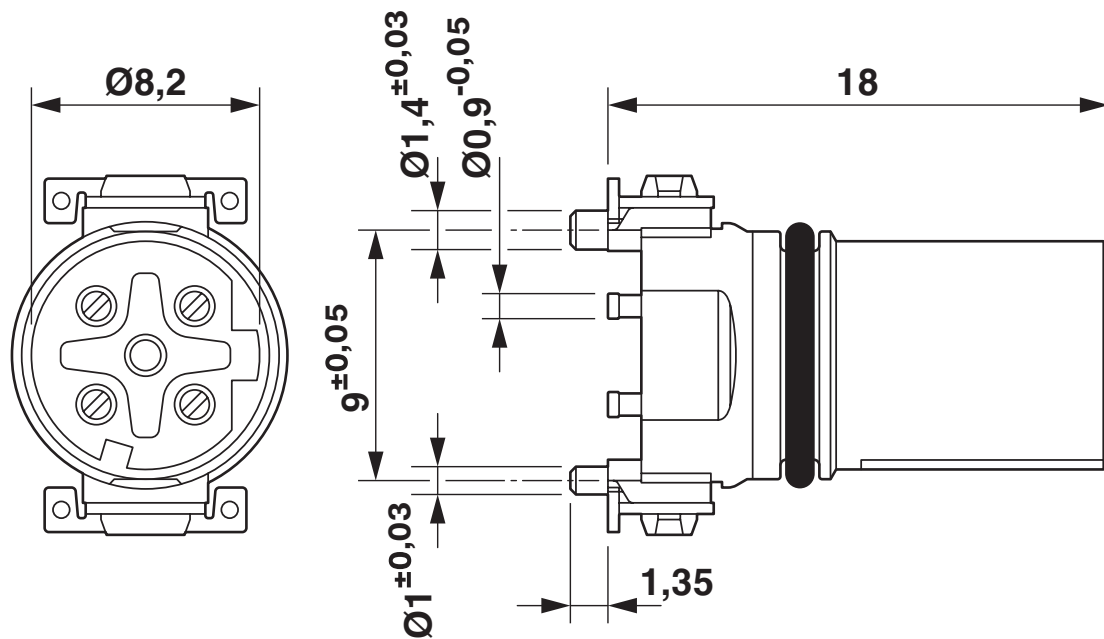
Drawings

Dimensional drawing



View of solder side

Dimensional drawing



M12 female connector contact carrier

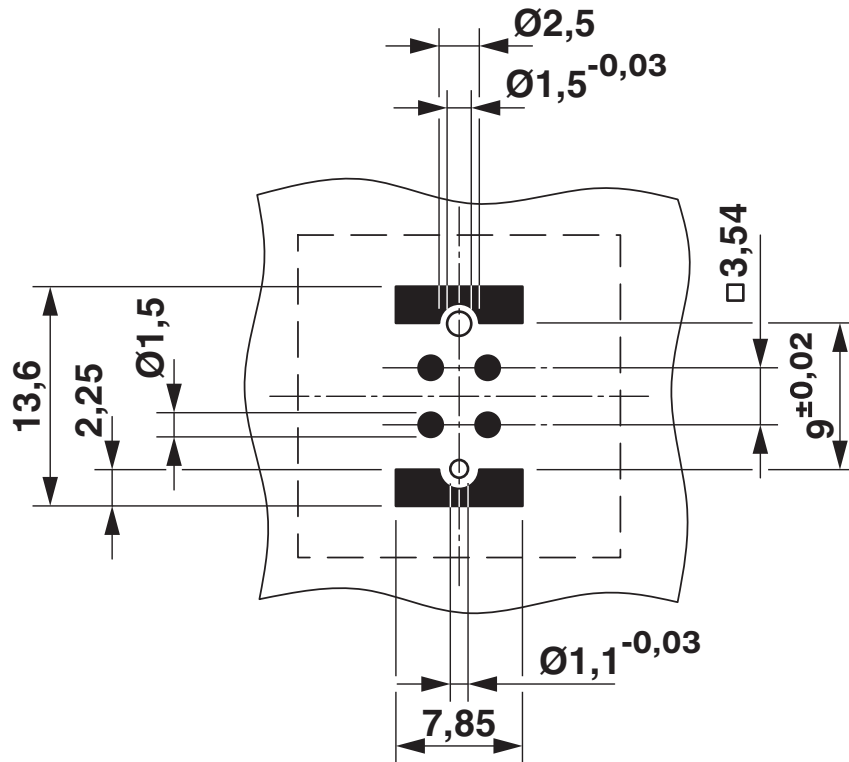
Flush-type connector - SACC-CIP-M12FSD-4P SMD R32



1411991

<https://www.phoenixcontact.com/au/products/1411991>

Drilling plan/solder pad geometry



Soldering pad geometry

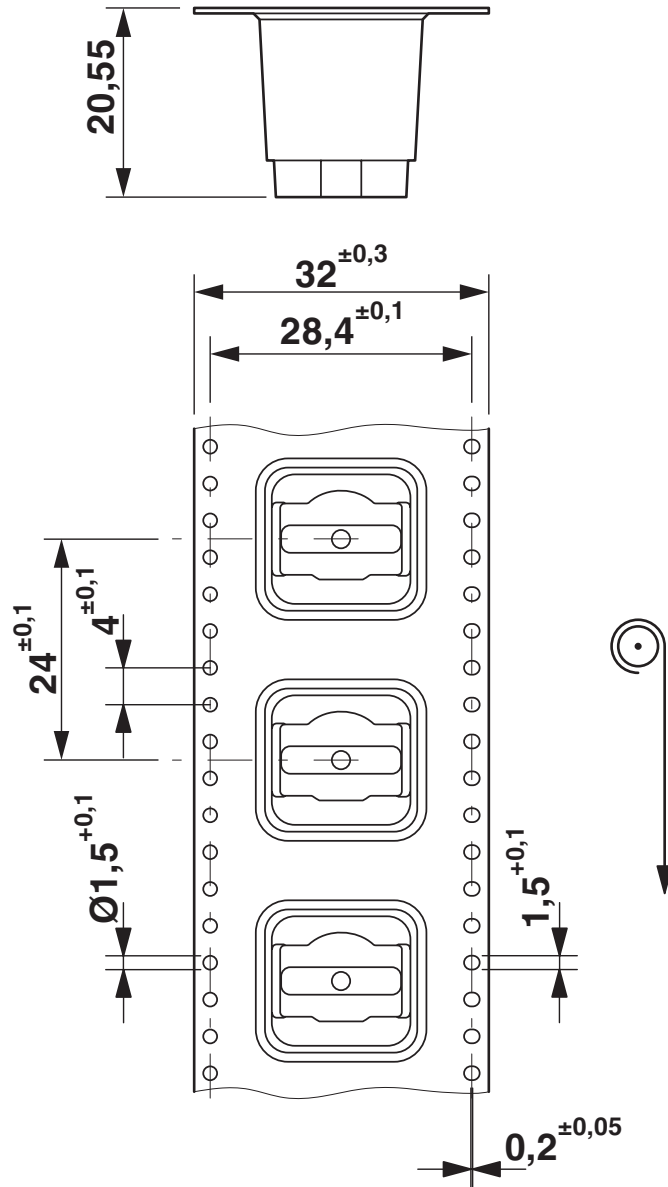
Flush-type connector - SACC-CIP-M12FSD-4P SMD R32



1411991

<https://www.phoenixcontact.com/au/products/1411991>

Dimensional drawing



SMD tape-on-reel packing

Flush-type connector - SACC-CIP-M12FSD-4P SMD R32

1411991

<https://www.phoenixcontact.com/au/products/1411991>

Schematic diagram



Pin assignment M12 socket, 4-pos., D-coded, female side

Flush-type connector - SACC-CIP-M12FSD-4P SMD R32



1411991

<https://www.phoenixcontact.com/au/products/1411991>

Approvals



EAC

Approval ID: B.01687



cULus Recognized

Approval ID: E221474-20200713

	Nominal Voltage U_N	Nominal Current I_N	Cross Section AWG	Cross Section mm^2
	250 V	4 A	-	-

Flush-type connector - SACC-CIP-M12FSD-4P SMD R32



1411991

<https://www.phoenixcontact.com/au/products/1411991>

Classifications

ECLASS

ECLASS-9.0	27440102
ECLASS-10.0.1	27440102
ECLASS-11.0	27440102

ETIM

ETIM 8.0	EC002635
----------	----------

UNSPSC

UNSPSC 21.0	39121400
-------------	----------

Flush-type connector - SACC-CIP-M12FSD-4P SMD R32



1411991

<https://www.phoenixcontact.com/au/products/1411991>

Environmental Product Compliance

REACH SVHC	Lead 7439-92-1
China RoHS	Environmentally Friendly Use Period = 50 years
	For information on hazardous substances, refer to the manufacturer's declaration available under "Downloads"

Flush-type connector - SACC-CIP-M12FSD-4P SMD R32



1411991

<https://www.phoenixcontact.com/au/products/1411991>

Accessories

Housing screw connection

Housing screw connection - SACC-BP-F-M12/M15-6-SMD - 1414021

<https://www.phoenixcontact.com/au/products/1414021>



Housing screw connection, Socket, M12, Rear mounting, M15 x 1

Housing screw connection

Housing screw connection - SACC-BP-F-M12/M15-6-SMD SCO - 1414023

<https://www.phoenixcontact.com/au/products/1414023>



Housing screw connection, Socket, M12-SPEEDCON, Rear mounting, M15 x 1

Flush-type connector - SACC-CIP-M12FSD-4P SMD R32

1411991

<https://www.phoenixcontact.com/au/products/1411991>

Housing screw connection

Housing screw connection - SACC-FP-F-M12/M14 SMD - 1412079

<https://www.phoenixcontact.com/au/products/1412079>



M12 female connector, front mounting SMD with M14 screw fastening

Housing screw connection

Housing screw connection - SACC-FP-F-M12/PRESS SMD - 1412081

<https://www.phoenixcontact.com/au/products/1412081>



Housing screw connection, socket, for the two-part M12 SMD connector, for press-in mounting.

Flush-type connector - SACC-CIP-M12FSD-4P SMD R32



1411991

<https://www.phoenixcontact.com/au/products/1411991>

Housing screw connection

Housing screw connection - SACC-BP-F-M12/SMD-0,9/1,6-9TIP - 1419569

<https://www.phoenixcontact.com/au/products/1419569>



M12 threaded sleeve with tolerance-compensating function, for straight, SMD-solderable M12 socket contact inserts. Suitable for 0.9 mm ... 1.6 mm thick front plates.

Housing screw connection

Housing screw connection - SACC-BP-F-M12/SMD-1,6/2,3-9TIP - 1419570

<https://www.phoenixcontact.com/au/products/1419570>



M12 threaded sleeve with tolerance-compensating function, for straight, SMD-solderable M12 socket contact inserts. Suitable for 1.6 mm ... 2.3 mm thick front plates.

Flush-type connector - SACC-CIP-M12FSD-4P SMD R32

1411991

<https://www.phoenixcontact.com/au/products/1411991>

Housing screw connection

Housing screw connection - SACC-BP-F-M12/SMD-2,3/3,0-9TIP - 1419571

<https://www.phoenixcontact.com/au/products/1419571>



M12 threaded sleeve with tolerance-compensating function, for straight, SMD-solderable M12 socket contact inserts. Suitable for 2.3 mm ... 3.0 mm thick front plates.

Housing screw connection

Housing screw connection - SACC-BP-F-FIX/NUT-BK-SMD - 1419568

<https://www.phoenixcontact.com/au/products/1419568>



Fixing sleeve for M12 housing screw connection with tolerance-compensating function, for SMD-solderable M12 socket contact inserts.

Flush-type connector - SACC-CIP-M12FSD-4P SMD R32

1411991

<https://www.phoenixcontact.com/au/products/1411991>

Housing screw connection

Housing screw connection - SACC-BP-F-FIX/NUT-CY-SMD - 1419565

<https://www.phoenixcontact.com/au/products/1419565>



Fixing sleeve for M12 housing screw connection with tolerance-compensating function, for SMD-solderable M12 socket contact inserts.

Housing screw connection

Housing screw connection - SACC-BP-F-FIX/NUT-GN-SMD - 1419566

<https://www.phoenixcontact.com/au/products/1419566>



Fixing sleeve for M12 housing screw connection with tolerance-compensating function, for SMD-solderable M12 socket contact inserts.

Flush-type connector - SACC-CIP-M12FSD-4P SMD R32



1411991

<https://www.phoenixcontact.com/au/products/1411991>

Housing screw connection

Housing screw connection - SACC-BP-F-FIX/NUT-VT-SMD - 1419567

<https://www.phoenixcontact.com/au/products/1419567>



Fixing sleeve for M12 housing screw connection with tolerance-compensating function, for SMD-solderable M12 socket contact inserts.

Phoenix Contact 2022 © - all rights reserved

<https://www.phoenixcontact.com>

PHOENIX CONTACT PTY Ltd

Unit 7, 2-8 South Street

Rydalmere NSW 2116

1300 786 411

customerservice@phoenixcontact.com.au