

# Cable gland - G-INSEC-M20-S68N-NCRS-S



1411189

<https://www.phoenixcontact.com/pc/products/1411189>

Please be informed that the data shown in this PDF document is generated from our Online Catalog. Please find the complete data in the user documentation. Our General Terms of Use for Downloads are valid.



Cable gland, material for screw connection: Nickel-plated brass, external cable diameter 9 mm ... 13 mm, shielding: yes, connecting thread: M20 x 1.5, color: silver, with O-ring

## Commercial Data

Item number	1411189
Packing unit	5 pc
Minimum order quantity	1 pc
Product Key	BF7DBX
Catalog Page	Page 690 (C-2-2019)
GTIN	4046356923200
Weight per Piece (including packing)	38.3 g
Weight per Piece (excluding packing)	36.16 g
Customs tariff number	74198090
Country of origin	DE

# Cable gland - G-INSEC-M20-S68N-NCRS-S



1411189

<https://www.phoenixcontact.com/pc/products/1411189>

## Technical Data

### Mounting

Assembly instructions	<p>Method 1 Cut the outer sheath, but do not remove it. Feed the cable through the screw connection and then remove the outer sheath. Now pull the cable back until the connection is established between the cable shield and the contact spring.</p> <p>Method 2 Push the braided shield back around 15 ... 20 mm over the outer sheath. Insert the cables into the screw connection until the connection is established between the cable shield and the contact spring.</p>
-----------------------	---

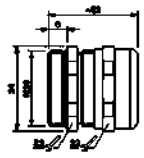
### Product properties

Product type	Full screw connection
No. of conductors	1
Manufacturer	Jacob
Manufacturer Designation	50.620 M/EMVD
Shielded	yes
Execution of the strain relief	A

### Characteristics

Category of shock impact	6
Design, Strain relief	A
Tightening torque	5 Nm (Union nut: EN 62444) 5 Nm (Support: EN 62444)

### Dimensions

Dimensional drawing	
Length	33 mm
Length of the connecting thread	6 mm
Hole diameter	20,1 mm ... 20,2 mm
Wrench size, union nut	22 mm
Wrench size, support	22 mm
Hexagon angular dimension	24 mm
Thread type connection side	M20 x 1,5
Thread pitch	1,5 mm

### Material specifications

Color	silver
-------	--------

# Cable gland - G-INSEC-M20-S68N-NCRS-S



1411189

<https://www.phoenixcontact.com/pc/products/1411189>

Sealing material	Perbunan
	CR/NBR
Material, insert	Polyamide 6
Material for screw connection	Nickel-plated brass

## Cable / line

External cable diameter	9 mm ... 13 mm
Halogen-free	no

## Environmental and real-life conditions

### Ambient conditions

Degree of protection	IP68 (5 bar, 30 minutes)
Ambient temperature (operation)	-40 °C ... 100 °C (static)

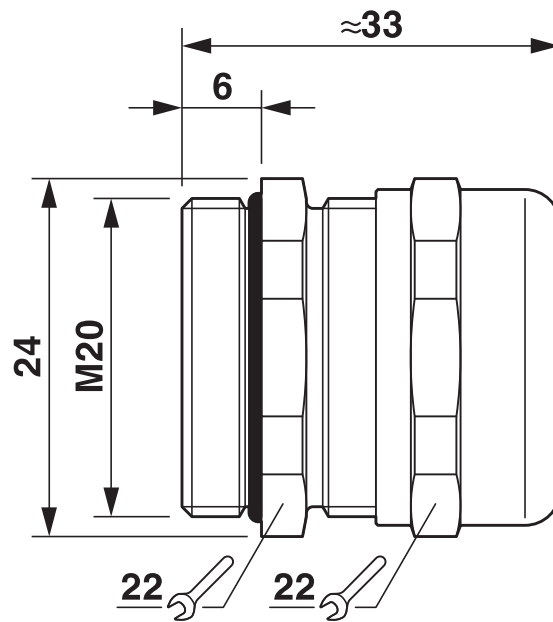
# Cable gland - G-INSEC-M20-S68N-NCRS-S

1411189

<https://www.phoenixcontact.com/pc/products/1411189>

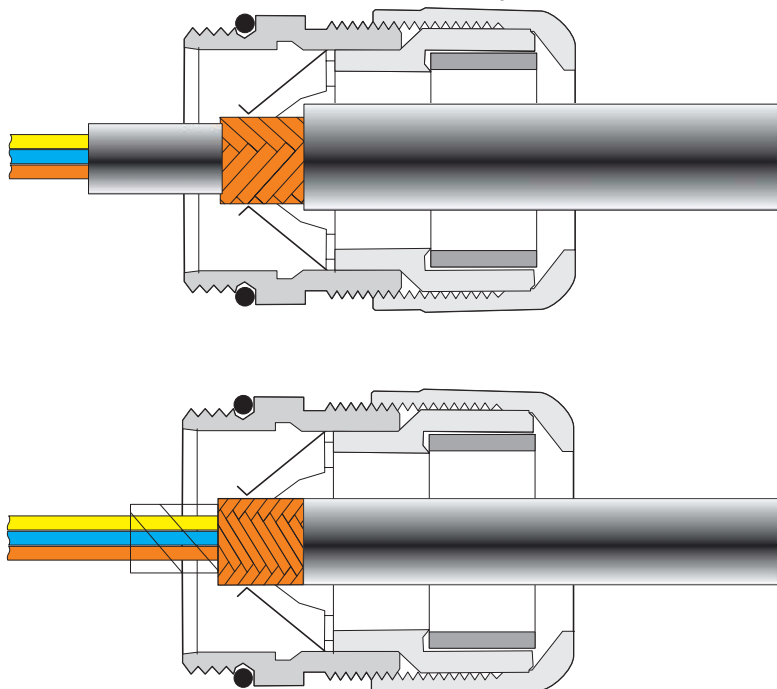
## Drawings

Dimensional drawing



Dimensional drawing

Functional drawing



See assembly instruction

# Cable gland - G-INSEC-M20-S68N-NCRS-S



1411189

<https://www.phoenixcontact.com/pc/products/1411189>

## Approvals

### DNV

Approval ID: TAE00003WY



### cUL Recognized

Approval ID: QCRV8.E140310

	Nominal Voltage $U_N$	Nominal Current $I_N$	Cross Section AWG	Cross Section $\text{mm}^2$
External reference			-	-



### UL Recognized

Approval ID: QCRV2.E140310

	Nominal Voltage $U_N$	Nominal Current $I_N$	Cross Section AWG	Cross Section $\text{mm}^2$
External reference			-	-



### UL Listed

Approval ID: QCRV.E140310

	Nominal Voltage $U_N$	Nominal Current $I_N$	Cross Section AWG	Cross Section $\text{mm}^2$
External reference			-	-



### cUL Listed

Approval ID: QCRV7.E140310

	Nominal Voltage $U_N$	Nominal Current $I_N$	Cross Section AWG	Cross Section $\text{mm}^2$
External reference			-	-

### cULus Recognized

### cULus Listed

# Cable gland - G-INSEC-M20-S68N-NCRS-S



1411189

<https://www.phoenixcontact.com/pc/products/1411189>

## Classifications

### ECLASS

ECLASS-9.0	27144432
ECLASS-10.0.1	27144432
ECLASS-11.0	27144432

### ETIM

ETIM 8.0	EC000441
----------	----------

### UNSPSC

UNSPSC 21.0	39121300
-------------	----------

# Cable gland - G-INSEC-M20-S68N-NCRS-S



1411189

<https://www.phoenixcontact.com/pc/products/1411189>

## Environmental Product Compliance

REACH SVHC	Lead 7439-92-1
China RoHS	Environmentally Friendly Use Period = 50 years
	For information on hazardous substances, refer to the manufacturer's declaration available under "Downloads"