

Cable gland - G-INS-PG11-S68N-NNES-S



1411172

<https://www.phoenixcontact.com/pc/products/1411172>

Please be informed that the data shown in this PDF document is generated from our Online Catalog. Please find the complete data in the user documentation. Our General Terms of Use for Downloads are valid.



Cable gland, material for screw connection: Nickel-plated brass, external cable diameter 5 mm ... 10 mm, shielding: no, connecting thread: Pg11, color: silver, with O-ring

Commercial Data

Item number	1411172
Packing unit	5 pc
Minimum order quantity	5 pc
Product Key	BF7DAX
Catalog Page	Page 689 (C-2-2019)
GTIN	4046356923064
Weight per Piece (including packing)	26.32 g
Weight per Piece (excluding packing)	26.32 g
Customs tariff number	74198090
Country of origin	TR

Cable gland - G-INS-PG11-S68N-NNES-S



1411172

<https://www.phoenixcontact.com/pc/products/1411172>

Technical Data

Mounting

Assembly instructions	1) Mount screw connection support in the housing using the correct torque 2) Insert cable 3) Tighten union nut using the correct torque
-----------------------	---

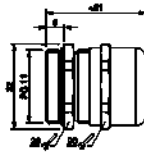
Product properties

Product type	Full screw connection
No. of conductors	1
Manufacturer	BIMED
Manufacturer Designation	BSBC-03
Shielded	no

Characteristics

Tightening torque	7 Nm \pm 0.5 Nm (Cap nut)
	5 Nm (Support sleeve)

Dimensions

Dimensional drawing	
Length	21 mm
Length of the connecting thread	6 mm
Hole diameter	18.7 mm ... 18.8 mm
Wrench size, union nut	20 mm
Wrench size, support	20 mm
Hexagon angular dimension	22 mm
Thread type connection side	Pg11

Material specifications

Color	silver
Sealing material	Perbunan
	CR
Material, insert	Polyamide 6
Material for screw connection	Nickel-plated brass

Cable / line

External cable diameter	5 mm ... 10 mm
	6 mm ... 10 mm (for UL 514 B)
Halogen-free	no

Cable gland - G-INS-PG11-S68N-NNES-S



1411172

<https://www.phoenixcontact.com/pc/products/1411172>

Environmental and real-life conditions

Ambient conditions

Degree of protection	IP69 (DIN EN 60529 / IEC 60529)
	IP68 (5 bar, 30 min.)
Degree of protection	4X
Ambient temperature (operation)	-40 °C ... 100 °C (static)

Cable gland - G-INS-PG11-S68N-NNES-S

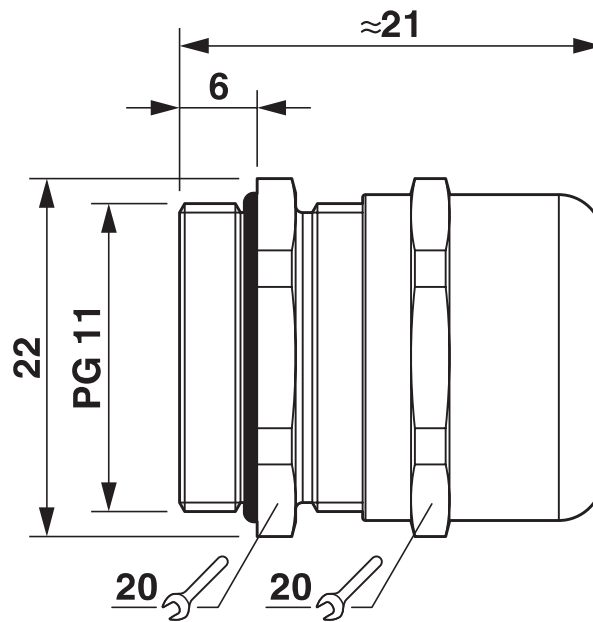
1411172

<https://www.phoenixcontact.com/pc/products/1411172>



Drawings

Dimensional drawing



Dimensional drawing

Cable gland - G-INS-PG11-S68N-NNES-S



1411172

<https://www.phoenixcontact.com/pc/products/1411172>

Approvals

DNV

Approval ID: TAE00003WY



cUL Recognized

Approval ID: E199260



UL Recognized

Approval ID: E199260

cULus Recognized

Cable gland - G-INS-PG11-S68N-NNES-S



1411172

<https://www.phoenixcontact.com/pc/products/1411172>

Classifications

ECLASS

ECLASS-9.0	27144432
ECLASS-10.0.1	27144432
ECLASS-11.0	27144432

ETIM

ETIM 8.0	EC000441
----------	----------

UNSPSC

UNSPSC 21.0	39121300
-------------	----------

Cable gland - G-INS-PG11-S68N-NNES-S



1411172

<https://www.phoenixcontact.com/pc/products/1411172>

Environmental Product Compliance

REACH SVHC	Lead 7439-92-1
China RoHS	Environmentally Friendly Use Period = 50 years
	For information on hazardous substances, refer to the manufacturer's declaration available under "Downloads"