

Cable gland - G-INS-PG7-S68N-PNES-GY



1411140

<https://www.phoenixcontact.com/pc/products/1411140>

Please be informed that the data shown in this PDF document is generated from our Online Catalog. Please find the complete data in the user documentation. Our General Terms of Use for Downloads are valid.



Cable gland, material for screw connection: PA, external cable diameter 3 mm ... 6.5 mm, shielding: no, connecting thread: Pg7, color: silver-gray RAL 7001

Your advantages

- Plastic material conforms to UL 746C f1

Commercial Data

| | |
|--------------------------------------|---------------------|
| Item number | 1411140 |
| Packing unit | 10 pc |
| Minimum order quantity | 10 pc |
| Product Key | BF7DCX |
| Catalog Page | Page 687 (C-2-2019) |
| GTIN | 4046356922722 |
| Weight per Piece (including packing) | 3.66 g |
| Weight per Piece (excluding packing) | 3.66 g |
| Customs tariff number | 39269097 |
| Country of origin | TR |

Cable gland - G-INS-PG7-S68N-PNES-GY



1411140

<https://www.phoenixcontact.com/pc/products/1411140>

Technical Data

Mounting

| | |
|-----------------------|---|
| Assembly instructions | 1) Mount screw connection support in the housing using the correct torque 2) Insert cable 3) Tighten union nut using the correct torque |
|-----------------------|---|

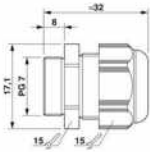
Product properties

| | |
|--------------------------|-----------------------|
| Product type | Full screw connection |
| No. of conductors | 1 |
| Manufacturer | BIMED |
| Manufacturer Designation | BS-01 |
| Shielded | no |

Characteristics

| | |
|-------------------|-----------------------------|
| Tightening torque | 2 Nm \pm 0.5 Nm (Cap nut) |
| | 1 Nm (Support sleeve) |

Dimensions

| | |
|---------------------------------|--|
| Dimensional drawing |  |
| Length | 32 mm |
| Length of the connecting thread | 8 mm |
| Hole diameter | 12.6 mm ... 12.7 mm |
| Wrench size, union nut | 15 mm |
| Wrench size, support | 15 mm |
| Hexagon angular dimension | 17.1 mm |
| Thread type connection side | Pg7 |

Material specifications

| | |
|--|----------------------|
| Color | silver-gray RAL 7001 |
| Material | PA (Housing) |
| Flammability rating according to UL 94 | V2 |
| Sealing material | CR |
| Material for screw connection | PA |

Cable / line

| | |
|-------------------------|------------------------------|
| External cable diameter | 3 mm ... 6.5 mm |
| | 4 mm ... 6 mm (for UL 514 B) |
| Halogen-free | no |

Cable gland - G-INS-PG7-S68N-PNES-GY



1411140

<https://www.phoenixcontact.com/pc/products/1411140>

Environmental and real-life conditions

Ambient conditions

| | |
|---------------------------------|----------------------------|
| Degree of protection | IP68 (5 bar / 0.5 h) |
| Ambient temperature (operation) | -40 °C ... 100 °C (static) |

Cable gland - G-INS-PG7-S68N-PNES-GY

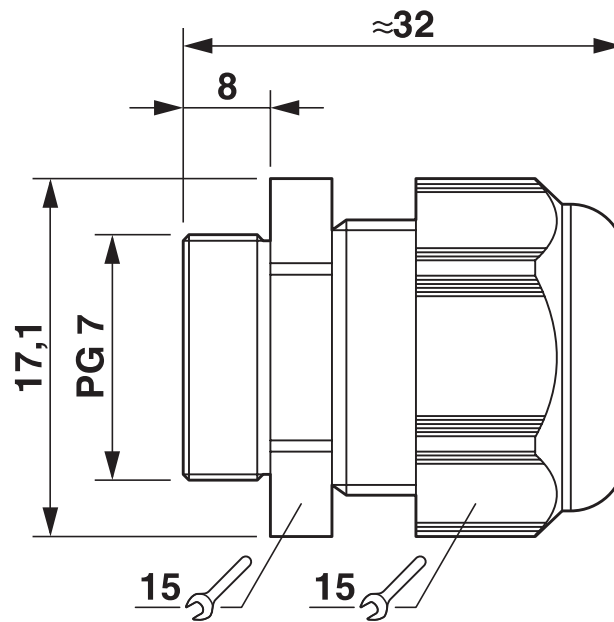
1411140

<https://www.phoenixcontact.com/pc/products/1411140>



Drawings

Dimensional drawing



Dimensional drawing

Cable gland - G-INS-PG7-S68N-PNES-GY



1411140

<https://www.phoenixcontact.com/pc/products/1411140>

Approvals

DNV

Approval ID: TAE00003WX



CSA

Approval ID: 115116

| | Nominal Voltage U_N | Nominal Current I_N | Cross Section AWG | Cross Section mm^2 |
|--------------------|-----------------------|-----------------------|-------------------|-----------------------------|
| External reference | | | - | - |



UL Recognized

Approval ID: E199260

Cable gland - G-INS-PG7-S68N-PNES-GY



1411140

<https://www.phoenixcontact.com/pc/products/1411140>

Classifications

ECLASS

| | |
|---------------|----------|
| ECLASS-9.0 | 27144432 |
| ECLASS-10.0.1 | 27144432 |
| ECLASS-11.0 | 27144432 |

ETIM

| | |
|----------|----------|
| ETIM 8.0 | EC000441 |
|----------|----------|

UNSPSC

| | |
|-------------|----------|
| UNSPSC 21.0 | 39121300 |
|-------------|----------|

Cable gland - G-INS-PG7-S68N-PNES-GY



1411140

<https://www.phoenixcontact.com/pc/products/1411140>

Environmental Product Compliance

| | |
|------------|---|
| China RoHS | Environmentally friendly use period: unlimited = EFUP-e |
| | No hazardous substances above threshold values |