

Sensor/actuator cable - SAC-2P- 5,0-PUR/DTFS-1L-S



1410734

<https://www.phoenixcontact.com/pc/products/1410734>

Please be informed that the data shown in this PDF document is generated from our Online Catalog. Please find the complete data in the user documentation. Our General Terms of Use for Downloads are valid.



Sensor/actuator cable, 2-position, PUR halogen-free, black-gray RAL 7021, free cable end, on Socket straight DEUTSCH DT06-2S Clip locking, with 1 LED, connected with Diode, cable length: 5 m

Commercial Data

Item number	1410734
Packing unit	1 pc
Minimum order quantity	1 pc
Product Key	BF1DWA
Catalog Page	Page 246 (C-2-2019)
GTIN	4046356924337
Weight per Piece (including packing)	186.33 g
Weight per Piece (excluding packing)	176.89 g
Customs tariff number	85444290
Country of origin	CZ

1410734

<https://www.phoenixcontact.com/pc/products/1410734>

Technical Data

Product properties

Product type	Sensor/actuator cable
Number of positions	2
Application	Mobile hydraulics
No. of cable outlets	1
Shielded	no
Coding	A - standard

Material specifications

Color Handle area	black
Flammability rating according to UL 94	V2
Sealing material	Silicon
Material of grip body	TPU
Contact material	Cu alloy
Contact surface material	nickel-plated
Contact carrier material	PA 6.6
Material for screw connection	not available

Electrical properties

Contact resistance	$\leq 8 \text{ m}\Omega$
Insulation resistance	$\geq 100 \text{ M}\Omega$
Nominal voltage U_N	24 V DC
Nominal current I_N	3 A
Protective circuit	Freewheeling diode

LED signaling

Status display	1 LED
Status display present	yes

Connector

Connection 1

Head design	free cable end
-------------	----------------

Connection 2

Head design	Socket
Head cable outlet	straight
Head thread type	DEUTSCH DT06-2S
Head locking type	Clip locking
Status indicator head	1 LED

Cable / line

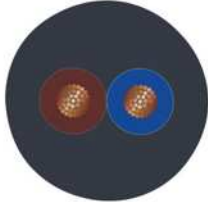
Cable length	5 m
--------------	-----

Sensor/actuator cable - SAC-2P- 5,0-PUR/DTFS-1L-S

1410734

<https://www.phoenixcontact.com/pc/products/1410734>

PUR halogen-free black [PUR]

Dimensional drawing	
Cable weight	33 kg/km
UL AWM Style	20549 / 10493 (80°C/300 V)
Number of positions	2
Shielded	no
Cable type	PUR halogen-free black [PUR]
Conductor structure signal line	42x 0.15 mm
AWG signal line	18
Conductor cross section	2x 0.75 mm ² (Signal line)
Wire diameter incl. insulation	1.69 mm ±0.05 mm (Signal line)
External cable diameter	4.8 mm ±0.15 mm
Outer sheath, material	PUR
External sheath, color	black-gray RAL 7021
Conductor material	Bare Cu litz wires
Material wire insulation	PP
Single wire, color	brown, blue
Thickness, insulation	≥ 0.21 mm
Thickness, outer sheath	≥ 0.38 mm
Overall twist	2 wires, twisted
Max. conductor resistance	≤ 26 Ω/km (at 20 °C)
Insulation resistance	≥ 1 GΩ*km (at 20 °C)
Nominal voltage, cable	≤ 300 V AC
Test voltage	≥ 3000 V AC (Spark test)
Minimum bending radius, fixed installation	5 x D
Minimum bending radius, flexible installation	10 x D
Max. bending cycles	4000000
Halogen-free	in accordance with DIN VDE 0472 part 815 in accordance with DIN EN 50267-2-1
Flame resistance	according to UL 758/1581 (horizontal) in accordance with UL 758/1581 FT2 according to DIN EN 60332-2-2
Resistance to oil	According to DIN EN 60811-2-1, 168 h at 100°C According to UL 758, 168 h at 60°C
Other resistance	hydrolysis and microbe resistant partly UV-resistant in accordance with DIN EN ISO 4892-2-A

Sensor/actuator cable - SAC-2P- 5,0-PUR/DTFS-1L-S



1410734

<https://www.phoenixcontact.com/pc/products/1410734>

	Low adhesion
	abrasion-resistant
Special properties	flexible
	Flexible cable conduit capable
Ambient temperature (operation)	-40 °C ... 80 °C (cable, fixed installation)
	-25 °C ... 80 °C (Cable, flexible installation)

Ambient conditions

Degree of protection	IP67
	IP69K
Ambient temperature (operation)	-20 °C ... 85 °C (Plug / socket)

Sensor/actuator cable - SAC-2P- 5,0-PUR/DTFS-1L-S

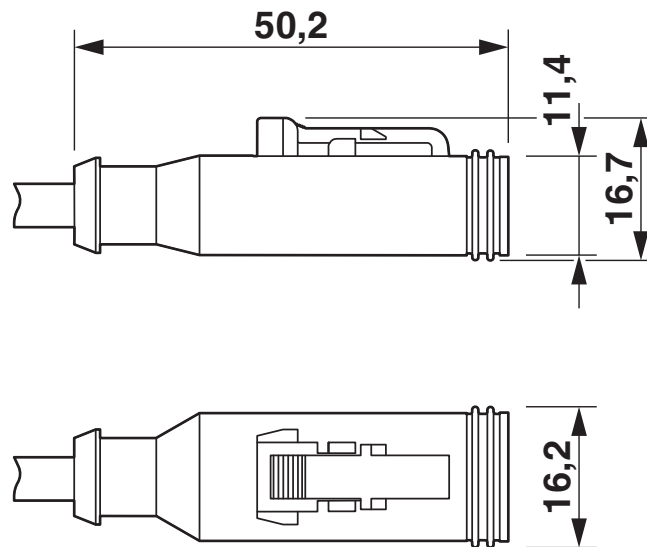


1410734

<https://www.phoenixcontact.com/pc/products/1410734>

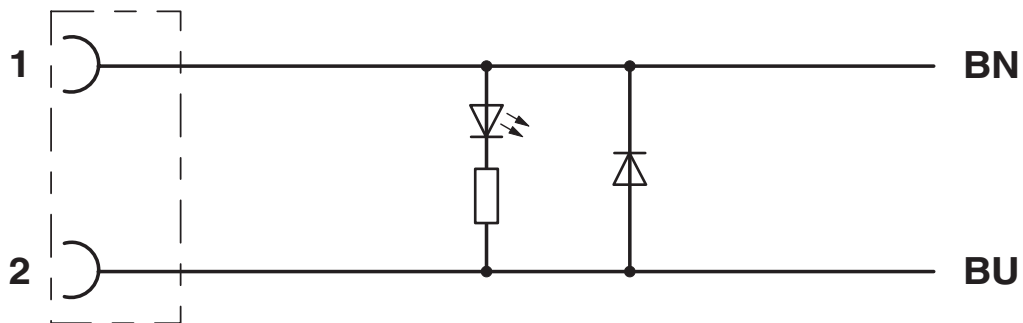
Drawings

Dimensional drawing



DEUTSCH DT06-2S, top view and side view

Circuit diagram

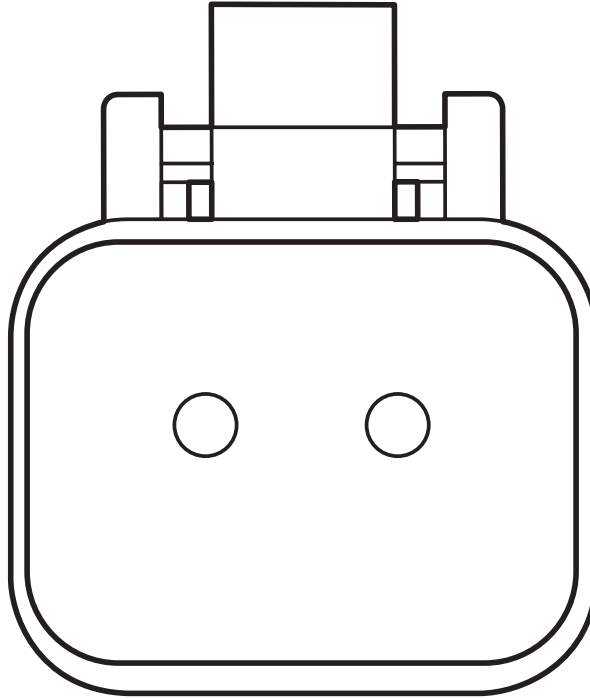


Sensor/actuator cable - SAC-2P- 5,0-PUR/DTFS-1L-S

1410734

<https://www.phoenixcontact.com/pc/products/1410734>

Schematic diagram



DEUTSCH DT06-2S pin assignment

Sensor/actuator cable - SAC-2P- 5,0-PUR/DTFS-1L-S



1410734

<https://www.phoenixcontact.com/pc/products/1410734>

Approvals



EAC

Approval ID: RU D-DE.HB35.B.00387

Sensor/actuator cable - SAC-2P- 5,0-PUR/DTFS-1L-S



1410734

<https://www.phoenixcontact.com/pc/products/1410734>

Classifications

ECLASS

ECLASS-9.0	27060311
ECLASS-10.0.1	27060311
ECLASS-11.0	27060311

ETIM

ETIM 8.0	EC001855
----------	----------

UNSPSC

UNSPSC 21.0	26121600
-------------	----------

Sensor/actuator cable - SAC-2P- 5,0-PUR/DTFS-1L-S



1410734

<https://www.phoenixcontact.com/pc/products/1410734>

Environmental Product Compliance

REACH SVHC	Lead 7439-92-1
China RoHS	Environmentally Friendly Use Period = 50 years
	For information on hazardous substances, refer to the manufacturer's declaration available under "Downloads"

1410734

<https://www.phoenixcontact.com/pc/products/1410734>

Accessories

Insert label

Insert label - PABA WH/23 - 1013779

<https://www.phoenixcontact.com/pc/products/1013779>



Insert label, Strip, white, unlabeled, can be labeled with: CMS-P1-PLOTTER, mounting type: slide-on, cable diameter range: 1.5 ... 35 mm, lettering field size: 23 x 4 mm, Number of individual labels: 20

Insert label

Insert label - PABA YE/23 - 1013782

<https://www.phoenixcontact.com/pc/products/1013782>



Insert label, Strip, yellow, unlabeled, can be labeled with: CMS-P1-PLOTTER, mounting type: slide-on, cable diameter range: 1.5 ... 35 mm, lettering field size: 23 x 4 mm, Number of individual labels: 20

1410734

<https://www.phoenixcontact.com/pc/products/1410734>

Marker pen

Marker pen - B-STIFT - 1051993

<https://www.phoenixcontact.com/pc/products/1051993>



Marker pen, for manual labeling of unprinted Zack strips, smear-proof and waterproof, line thickness 0.5 mm

Diagonal cutter

Diagonal cutter - CUTFOX-S VDE - 1212207

<https://www.phoenixcontact.com/pc/products/1212207>



Diagonal cutter for hard (piano wire) and soft wires, VDE 1000 V AC/1500 V DC tested

Sensor/actuator cable - SAC-2P- 5,0-PUR/DTFS-1L-S



1410734

<https://www.phoenixcontact.com/pc/products/1410734>

Stripping tool

Stripping tool - WIREFOX SAC-1 - 1212757

<https://www.phoenixcontact.com/pc/products/1212757>



Stripping pliers, for halogen-free sensor/actuator cables (SAC cables), with PUR and PVC insulation, from Ø of 3.2 to 4.4 mm, any stripping length

Stripping tool

Stripping tool - WIREFOX SAC - 1212623

<https://www.phoenixcontact.com/pc/products/1212623>



Stripping pliers, for halogen-free sensor/actuator cables (SAC cables), with PUR and PVC insulation, from Ø of 4.4 to 7 mm, any stripping length

1410734

<https://www.phoenixcontact.com/pc/products/1410734>

Stripping tool

Stripping tool - WIREFOX 10 - 1212150

<https://www.phoenixcontact.com/pc/products/1212150>



Stripping tool, for cables and conductors from 0.02 - 10 mm², self-adjusting, stripping length of up to 18 mm, cutting capacity of up to 10 mm² stranded/1.5 mm² solid, replaceable stripping blade

Protective hose adapter

Protective hose adapter - WP-CTA POM 13,0 BK - 1422884

<https://www.phoenixcontact.com/pc/products/1422884>



Protective hose adapter, for corrugated hoses with a nominal size of 13 (10 x 13), corrugated in parallel

Sensor/actuator cable - SAC-2P- 5,0-PUR/DTFS-1L-S



1410734

<https://www.phoenixcontact.com/pc/products/1410734>

Protective hose

Protective hose - WP-PA HF 13,0 BK - 3240681

<https://www.phoenixcontact.com/pc/products/3240681>



Protective hose, material: PA 6, UV-resistant: yes, flexible, degree of protection: IP68, color: black, flammability rating in acc. with UL 94: V0, inner diameter: 10 mm, Total length: 50 m

Protective hose

Protective hose - WP-PA HF-HB 13,0 BK - 3240839

<https://www.phoenixcontact.com/pc/products/3240839>



Protective hose, material: PA 6, UV-resistant: yes, flexible, degree of protection: IP68, color: black, flammability rating in acc. with UL 94: HB, inner diameter: 10 mm, Total length: 50 m

Phoenix Contact 2023 © - all rights reserved
<https://www.phoenixcontact.com>

PHOENIX CONTACT GmbH & Co. KG
Flachsmarktstraße 8
D-32825 Blomberg
+49 (0) 5235-3 00
info@phoenixcontact.com