

Data sheet

E-DAT Industry universal test jack IP65, unequipped

Page 1/5

P/N
140UPB-E

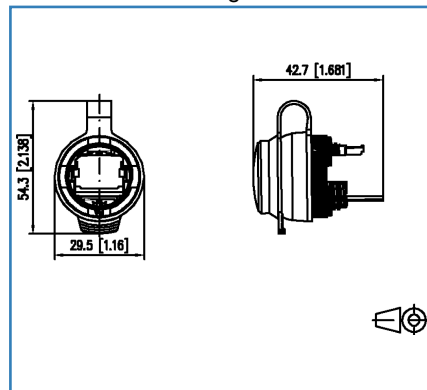
EAN 4250184133902

2015-19-06

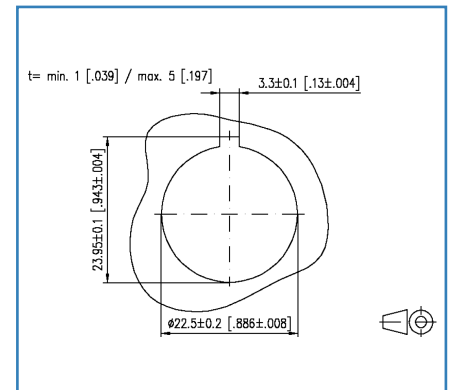
Illustrations



Dimensional drawing



Cut-out



See enlarged drawings at the end of document

Product specification

- for programming and setting parameters of an installation, a computer is accessed via standardized interfaces, such as RJ45 and USB. For industrial PCs (IPC), however, these interfaces are located in the interior of the switch cabinet.
- practical service interface for safe and flexible access to the interior of the switch cabinet
- faster, easier and more targeted start-up, service work, monitoring and system expansions
- suitable for switch cabinet walls, distributor panels and switchboards
- mounting with central screw joint in standard round hole of just 22 mm
- ingress protection IP65
- captive sealing plug
- very easy handling
- unequipped - without inserts
- matching inserts: E-DAT Industry RJ45 field jack insert (T568A, T568B or Profinet), E-DAT Industry RJ45 coupler insert or E-DAT Industry USB coupler insert



Technical Data

General Data

Fields of application	Harsh environment
Design	Flanged housings
Color	black
Dimensions	
Dimension (L x W x H)	42.70 x 29.50 x 54.30 mm
Dimension (L x W x H)	1.68 x 1.16 x 2.14 in.
Labeling option	on housing

Connections/interfaces

Number of ports interface 2	1
Number of ports interface 2 equipped	0
Module plug-in direction	straight

Materials and material properties

Material - Protective housing	GD-Zn (zinc die-cast)
Material - Protective housing seal	NBR (nitrile butadiene rubber)

Environmental conditions

Temperature (min. - max.)	
Temperature - Storage °C	-40 - 70 °C
Temperature - Storage °F	-40 - 158 °F
Particulate ingress	IP6X
Liquid ingress/immersion	IPX5

Certifications

Gost Certification	yes
--------------------	-----

Approvals

RoHS	compliant
------	-----------



E-DAT Industry universal test jack IP65, unequipped

P/N

140UPB-E

EAN 4250184133902

2015-19-06

Technical Data

The product meets the following standards

Generic cabling systems

Industrial area	ISO/IEC 24702
Degrees of Protection Provided by Enclosures	IEC 60529

Classifications

ETIM 5.0	EC001121
----------	----------

Packing details

Type of packaging	10 pc(s) / box
Packaging unit - Weight (gram)	166.00 g
Packaging unit - Weight (pound)	0.37 lb
Packaging dimension (W x H x D)	247.00 x 161.00 x 58.00 mm
Packaging dimension (W x H x D)	9.72 x 6.34 x 2.28 in.



E-DAT Industry universal test jack IP65, unequipped

P/N

140UPB-E**EAN 4250184133902**

2015-19-06

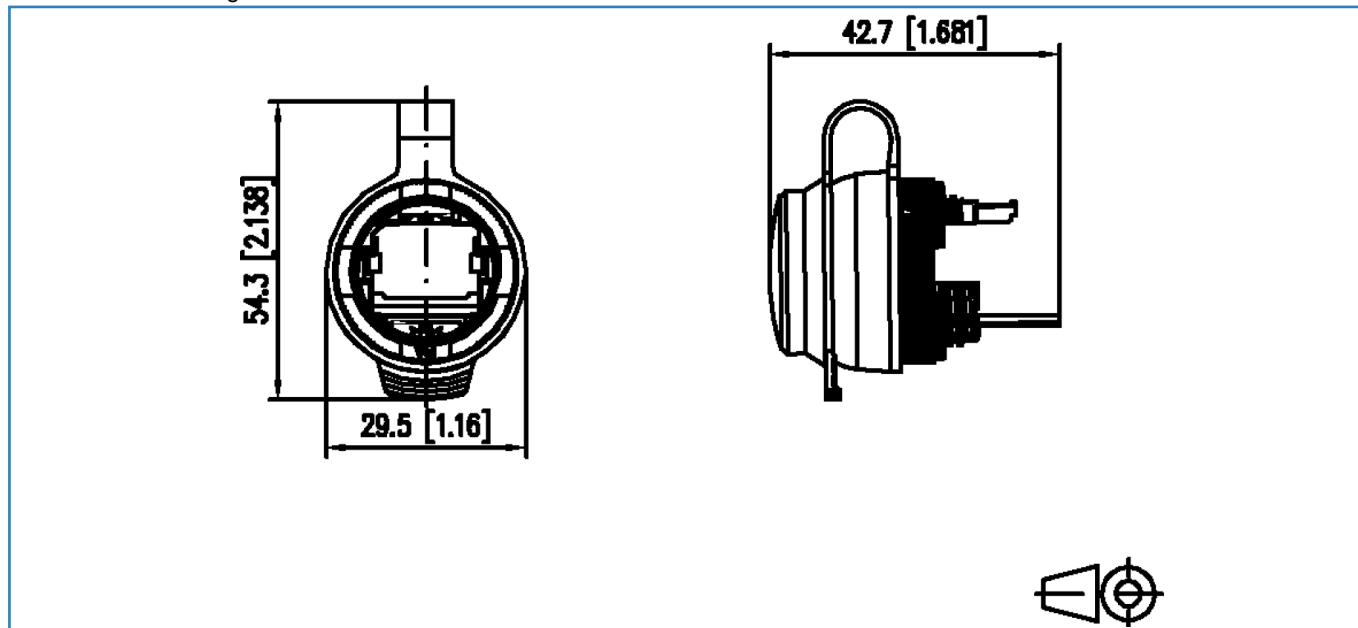
Accessories

P/N	Designation
1401100810MI	E-DAT Industry RJ45 field jack insert Cat.6 Class E _A , T568A
1401200810MI	E-DAT Industry RJ45 coupler insert Cat.6 Class E
1401800810MI	E-DAT Industry RJ45 field jack insert Cat.6 Class E _A , T568B
1401900810MI	E-DAT Industry RJ45 field jack insert Cat.6 Class E _A , Profinet
1401U00812KI	E-DAT Industry USB A coupler insert



Illustrations

Dimensional drawing



Cut-out

