

Power connector - SACC-M12FRS-3PECON-PG11-M



1408987

<https://www.phoenixcontact.com/us/products/1408987>

Please be informed that the data shown in this PDF document is generated from our Online Catalog. Please find the complete data in the user documentation. Our General Terms of Use for Downloads are valid.



Power connector, 4-position, Socket angled M12, Coding: S, Screw connection, knurl material: Zinc die-cast, nickel-plated, cable gland Pg11, external cable diameter 8 mm ... 10 mm, for AC current up to 12 A/630 V

Your advantages

- Safe use in the field, thanks to a high degree of protection
- Screw connection: proven connection technology for a large selection of different conductors
- High-performance: AC connectors for up to 12 A and 630 V AC
- Protection against incorrect connection using special S-coding

Power connector - SACC-M12FRS-3PECON-PG11-M



1408987

<https://www.phoenixcontact.com/us/products/1408987>

Commercial Data

Item number	1408987
Packing unit	1 pc
Minimum order quantity	1 pc
Sales Key	B07
Product Key	BF2CAB
Catalog Page	Page 279 (C-2-2019)
GTIN	4046356862370
Weight per Piece (including packing)	29.8 g
Weight per Piece (excluding packing)	29.8 g
Customs tariff number	85366990
Country of origin	DE

Technical Data

Notes

General	Strip 21 mm off the cable sheath, strip 6 mm off the conductor insulation, crimp the ferrule, then shorten this to 5 mm. Conductor length with shortened ferrule: 20 mm. Connect conductors and tighten the mounting screws with 0.2 Nm.
Assembly instruction:	NOTE: Observe the permissible bending radii when laying conductors, since the degree of protection may be put in jeopardy if the bending forces are too high. Alleviate mechanical loads upstream of the connector, e.g. by using cable ties.

Product properties

Product type	Circular connector (cable-side)
Number of positions	4
Application	Power supply
No. of cable outlets	1
Shielded	no
Coding	S power
Cable outlet	angled
Pg screw connection	Pg11

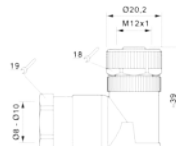
Insulation characteristics

Overvoltage category	III
Degree of pollution	3

Ambient conditions

Degree of protection	IP67
Ambient temperature (operation)	-40 °C ... 85 °C (Plug / socket)

Dimensions

Dimensional drawing	
Length	39 mm

External dimensions

Outside diameter	8 mm ... 10 mm
------------------	----------------

Housing

Diameter housing	20.2 mm
------------------	---------

Connector

1408987

<https://www.phoenixcontact.com/us/products/1408987>

Insertion/withdrawal cycles	> 100
-----------------------------	-------

Header 1

Head design	Socket
Head cable outlet	angled
Head thread type	M12
Coding	S-coded

Electrical properties

Rated surge voltage	6 kV
Contact resistance	≤ 3 mΩ
Insulation resistance	> 10 GΩ
Nominal voltage U_N	630 V AC
Nominal current I_N	12 A (when using 1.5 mm ² conductors)
	12 A (at 40 °C)

Material specifications

Color Handle area	black
Flammability rating according to UL 94	V0
Sealing material	Viton (M12 socket)
	NBR (Cable clamping)
Material of grip body	PA
Contact material	CuZn
Contact surface material	Au
Contact carrier material	PA
Cable gland material	Zinc die-cast, nickel-plated

Connection data

Conductor connection

Connection method	Screw connection
Connection cross section	0.75 mm ² ... 1.5 mm ² (with ferrule)
	0.75 mm ² ... 1.5 mm ² (with ferrule)
Connection cross section AWG	18 ... 16 (with ferrule)
Tightening torque	0.4 Nm (M12 knurl)
	1.5 Nm ... 2 Nm (Pressure screw with sleeve housing)
	0.4 Nm (Screw plug insert with sleeve housing as far it will go)
	0.2 Nm (Screw terminal blocks)

Mounting

Assembly instructions	The connector pin assignment can be rotated 90° to the cable outlet
-----------------------	---

Standards and regulations

Standards/specifications	IEC 61076-2-111
--------------------------	-----------------

Power connector - SACC-M12FRS-3PECON-PG11-M



1408987

<https://www.phoenixcontact.com/us/products/1408987>

Cable / line

Cable structure

Stripping length of the individual wire	5 mm
---	------

Power connector - SACC-M12FRS-3PECON-PG11-M

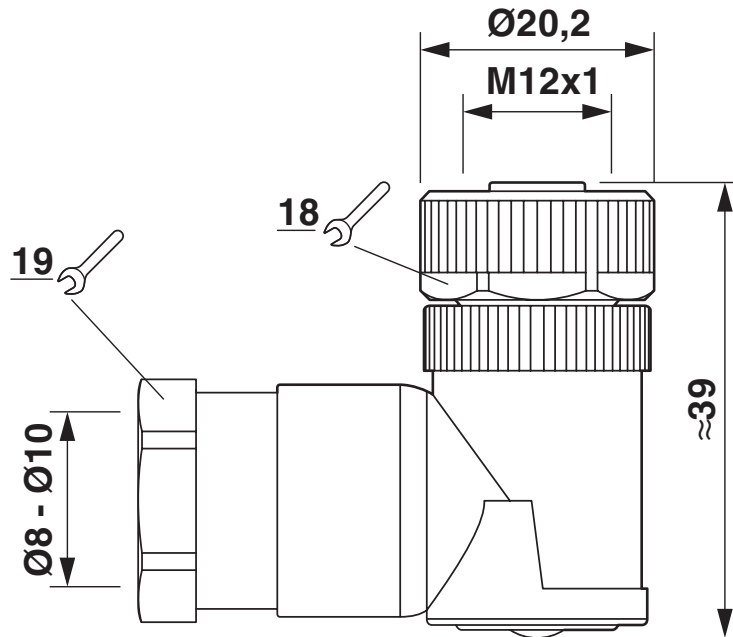
1408987

<https://www.phoenixcontact.com/us/products/1408987>



Drawings

Dimensional drawing

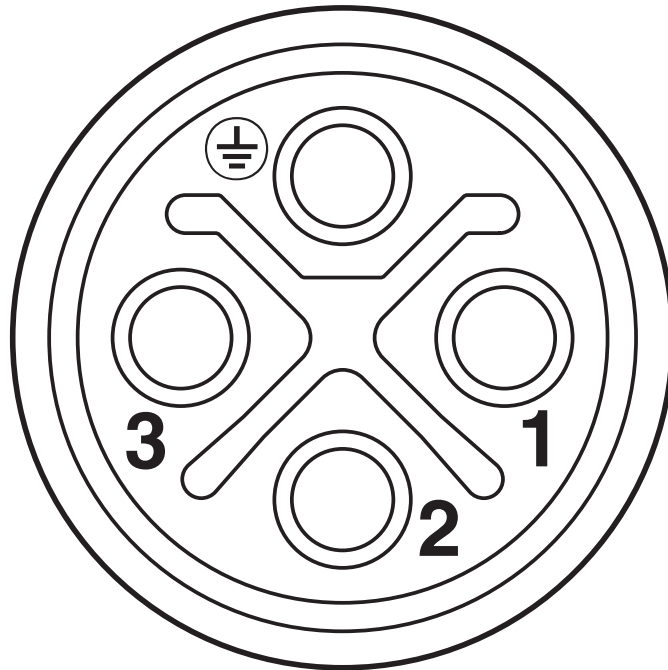


M12 x 1 socket, straight

1408987

<https://www.phoenixcontact.com/us/products/1408987>

Schematic diagram



Pin assignment of M12 socket, 4-pos., S-coded, socket side view


1408987

<https://www.phoenixcontact.com/us/products/1408987>

Approvals

 cUL Recognized Approval ID: FILE E 221474				
	Nominal Voltage U_N	Nominal Current I_N	Cross Section AWG	Cross Section mm^2
	600 V	12 A	- 16	-

 UL Recognized Approval ID: FILE E 221474				
	Nominal Voltage U_N	Nominal Current I_N	Cross Section AWG	Cross Section mm^2
	600 V	12 A	- 16	-

 EAC Approval ID: RU C-DE.BL08.B.00511	
---	--

cULus Recognized	
-------------------------	--

Power connector - SACC-M12FRS-3PECON-PG11-M



1408987

<https://www.phoenixcontact.com/us/products/1408987>

Classifications

ECLASS

ECLASS-9.0	27440102
ECLASS-10.0.1	27440102
ECLASS-11.0	27440102

ETIM

ETIM 8.0	EC002635
----------	----------

UNSPSC

UNSPSC 21.0	39121400
-------------	----------

1408987

<https://www.phoenixcontact.com/us/products/1408987>

Environmental Product Compliance

REACH SVHC	Lead 7439-92-1
China RoHS	Environmentally Friendly Use Period = 50 years For information on hazardous substances, refer to the manufacturer's declaration available under "Downloads"

1408987

<https://www.phoenixcontact.com/us/products/1408987>

Accessories

Torque screwdriver

Torque screwdriver - TSD 04 SAC - 1208429

<https://www.phoenixcontact.com/us/products/1208429>



Torque screwdriver, with preset torque of 0.4 Nm and 4 mm hexagonal drive for M12 connectors

Torque screwdriver

Torque screwdriver - TSD-M 1,2NM - 1212224

<https://www.phoenixcontact.com/us/products/1212224>



Torque screw driver, accuracy as per EN ISO 6789 standard, adjustable from 0.3 - 1.2 Nm

Power connector - SACC-M12FRS-3PECON-PG11-M



1408987

<https://www.phoenixcontact.com/us/products/1408987>

Adapter insert

Adapter insert - TSD-M SAC-BIT ADAPTER - 1212600

<https://www.phoenixcontact.com/us/products/1212600>



Adapter bit for TSD-M...torque tools, E6.3-1/4" drive with 4 mm hexagon to accommodate SAC bits

Tool

Tool - SACC BIT M12-D20 - 1208445

<https://www.phoenixcontact.com/us/products/1208445>



Nut for assembling M12 connectors for assembly with a knurl diameter of 20 mm, for 4 mm hexagonal drive

1408987

<https://www.phoenixcontact.com/us/products/1408987>

Stripping tool

Stripping tool - WIREFOX 6SC - 1212158

<https://www.phoenixcontact.com/us/products/1212158>



Stripping tool, for cables and conductors (especially for cables protected against short circuits and ground leakages) 1.5 - 6 mm², self-adjusting, stripping length of up to 18 mm, cutting capacity of up to 10 mm² stranded/1.5 mm² solid, replaceable stripping blade

Crimping pliers

Crimping pliers - CRIMPFOX 6H - 1212046

<https://www.phoenixcontact.com/us/products/1212046>



Crimping pliers, for ferrules without insulating collar according to DIN 46228 Part 1 and ferrules with insulating collar according to DIN 46228 Part 4, 0.14 mm² ... 6 mm², unlockable pressure lock, lateral entry

Power connector - SACC-M12FRS-3PECON-PG11-M



1408987

<https://www.phoenixcontact.com/us/products/1408987>

Ferrule

Ferrule - A 1,5 - 7 - 3200263

<https://www.phoenixcontact.com/us/products/3200263>

Ferrule, length: 7 mm, color: silver



Screw plug

Screw plug - PROT-M12 MS-PA-CHAIN - 1430899

<https://www.phoenixcontact.com/us/products/1430899>

M12 sealing cap with fixing band, for sensor cables, for free M12 sockets



Phoenix Contact 2022 © - all rights reserved
<https://www.phoenixcontact.com>

Phoenix Contact USA
586 Fulling Mill Road
Middletown, PA 17057, United States
(+717) 944-1300
info@phoenixcon.com