

Protective cover - HC-B06-BC-HI-PLBK



1407692

<https://www.phoenixcontact.com/za/products/1407692>

Please be informed that the data shown in this PDF document is generated from our Online Catalog. Please find the complete data in the user documentation. Our General Terms of Use for Downloads are valid.

Protective cover B6, for single locking latch, protective cover material: PC, height: 19 mm, seal: no



Protective cover - HC-B06-BC-HI-PLBK



1407692

<https://www.phoenixcontact.com/za/products/1407692>

Commercial Data

Item number	1407692
Packing unit	1 pc
Minimum order quantity	1 pc
Sales Key	BF7
Product Key	BF7AZC
Catalog Page	Page 653 (C-2-2017)
GTIN	4046356776776
Weight per Piece (including packing)	31,8 g
Weight per Piece (excluding packing)	30,8 g
Customs tariff number	85389099
Country of origin	PL

Protective cover - HC-B06-BC-HI-PLBK

1407692

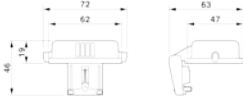
<https://www.phoenixcontact.com/za/products/1407692>

Technical Data

Product properties

Type	B6
Product type	Protective cover
Type	for supporting base element with single locking latch
Housing type	Protective cover
Seal present	no
Locking type	for single locking latch

Dimensions

Dimensional drawing	
Width	47 mm
Height	19 mm
Length	62 mm

Material specifications

Color	black
Material	PC
Flammability rating according to UL 94	V0
Material, protective cover	PC

Environmental and real-life conditions

Ambient conditions

Degree of protection	IP65
	IP66
Ambient temperature (operation)	-20 °C ... 100 °C

Protective cover - HC-B06-BC-HI-PLBK

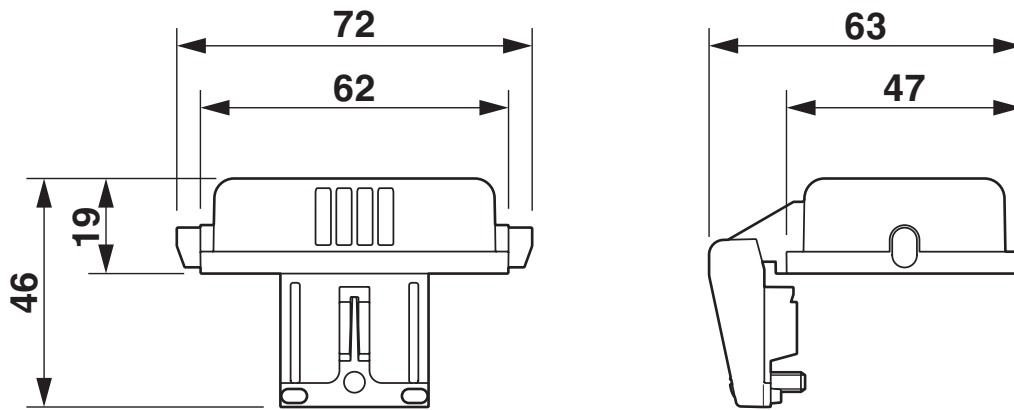


1407692

<https://www.phoenixcontact.com/za/products/1407692>

Drawings

Dimensional drawing



Dimensional drawing

Protective cover - HC-B06-BC-HI-PLBK



1407692

<https://www.phoenixcontact.com/za/products/1407692>

Approvals



EAC

Approval ID: RU C-DE.AI30.B.01102

Protective cover - HC-B06-BC-HI-PLBK



1407692

<https://www.phoenixcontact.com/za/products/1407692>

Classifications

ECLASS

ECLASS-10.0.1	27440208
ECLASS-9.0	27440208
ECLASS-11.0	27440208

ETIM

ETIM 8.0	EC002314
----------	----------

UNSPSC

UNSPSC 21.0	39121400
-------------	----------

Protective cover - HC-B06-BC-HI-PLBK



1407692

<https://www.phoenixcontact.com/za/products/1407692>

Environmental Product Compliance

China RoHS	Environmentally friendly use period: unlimited = EFUP-e No hazardous substances above threshold values
------------	---

Phoenix Contact 2022 © - all rights reserved
<https://www.phoenixcontact.com>

PHOENIX CONTACT (Pty) Ltd.
36 Lyn Road P.O. Box 916 ZA-Ferndale 2160

+27/11/801-8200
info@phoenixcontact.co.za