

Housing - HC-EVO-B10-SHFDC-2SSM32-PLRBK



1407639

<https://www.phoenixcontact.com/za/products/1407639>

Please be informed that the data shown in this PDF document is generated from our Online Catalog. Please find the complete data in the user documentation. Our General Terms of Use for Downloads are valid.



Box mounting bases B10, for double locking latch, material: PA, protective cover material: PC, cable outlets: 2, lateral, 2x M32, height: 74 mm, cable gland: none, protective cover: yes, Standard

Product Description

One screw connection opening is closed, however can be opened using a screwdriver

Your advantages

- Lower costs than metal version
- Low weight
- Lower risk of condensation

Housing - HC-EVO-B10-SHFDC-2SSM32-PLRBK



1407639

<https://www.phoenixcontact.com/za/products/1407639>

Commercial Data

Item number	1407639
Packing unit	1 pc
Minimum order quantity	1 pc
Sales Key	BF7
Product Key	BF7APL
Catalog Page	Page 612 (C-2-2019)
GTIN	4046356777018
Weight per Piece (including packing)	156,3 g
Weight per Piece (excluding packing)	156,3 g
Customs tariff number	85389099
Country of origin	PL

1407639

<https://www.phoenixcontact.com/za/products/1407639>

Technical Data

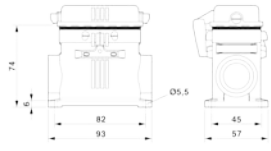
Notes

General	For contact inserts HC-B10, BB18, DD42, M, K8/24, HV03-I-PT, HC- 3-E...C
---------	--

Product properties

Type	B10
Product type	Housing with locking latch
Application	Standard
No. of cable outlets	2
Type of the screw connection	2x M32
Housing type	Box mounting bases
Protective cover	yes
Locking type	for double locking latch
Cable outlet	lateral
Pg screw connection	none

Dimensions

Dimensional drawing	
Width	57 mm
Height	74 mm
Length	93 mm
Hole diameter	5.5 mm

Material specifications

Color	black
Flammability rating according to UL 94	V0 (Housing) V0 (Protective cover)
Sealing material	NBR (profile gasket)
Material, protective cover	PC
Impact strength	IK09
Housing material	PA

Ambient conditions

Degree of protection	IP66 (when plugged in) IP54 (with closed protective cover)
Degree of protection	12 (UL 50e)
Impact strength	IK09
Ambient temperature (operation)	-40 °C ... 125 °C

Housing - HC-EVO-B10-SHFDC-2SSM32-PLRBK



1407639

<https://www.phoenixcontact.com/za/products/1407639>

Mechanical properties

Mechanical data

Type of the screw connection	2x M32
Locking type	Pin

Mounting

Assembly instructions	One of the two openings for the screw connections is sealed but can be broken open using a screwdriver.
-----------------------	---

Housing - HC-EVO-B10-SHFDC-2SSM32-PLRBK

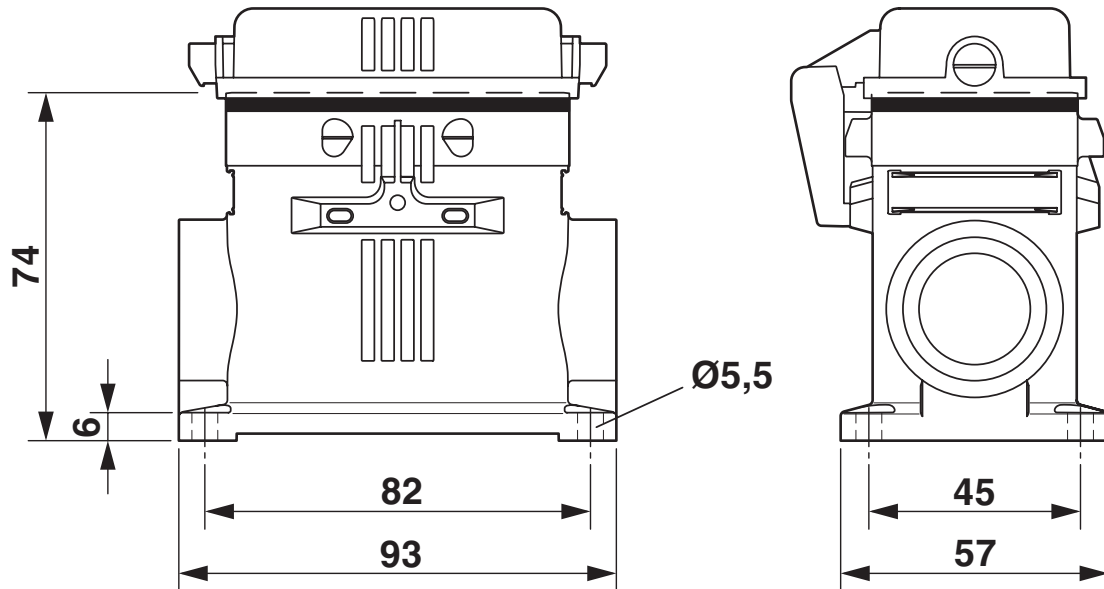


1407639

<https://www.phoenixcontact.com/za/products/1407639>

Drawings

Dimensional drawing



Dimensional drawing

Housing - HC-EVO-B10-SHFDC-2SSM32-PLRBK



1407639

<https://www.phoenixcontact.com/za/products/1407639>

Approvals

DNV

Approval ID: TAE000037S

ERC

EAC

Approval ID: RU C-DE.AI30.B.01102

ERC

EAC

Approval ID: RU C-DE.BL08.B.00511

1407639

<https://www.phoenixcontact.com/za/products/1407639>

Classifications

ECLASS

ECLASS-10.0.1	27440202
ECLASS-9.0	27440202
ECLASS-11.0	27440202

ETIM

ETIM 8.0	EC000437
----------	----------

UNSPSC

UNSPSC 21.0	31261500
-------------	----------

1407639

<https://www.phoenixcontact.com/za/products/1407639>

Environmental Product Compliance

China RoHS	Environmentally friendly use period: unlimited = EFUP-e
	No hazardous substances above threshold values

1407639

<https://www.phoenixcontact.com/za/products/1407639>

Accessories

Cable gland

Cable gland - HC-K-KV-M32(12-21)BK - 1407673

<https://www.phoenixcontact.com/za/products/1407673>



Plastic screw connection up to 5 bar, thread length: 10 mm, cable diameter: 12 - 21 mm, WAF 36, screw connection: M32

Profile gasket

Profile gasket - HC-B10-SP-RBK - 1407707

<https://www.phoenixcontact.com/za/products/1407707>



Profile gasket for HEAVYCON EVO supporting base element type B10

Housing - HC-EVO-B10-SHFDC-2SSM32-PLRBK



1407639

<https://www.phoenixcontact.com/za/products/1407639>

Protective cover

Protective cover - HC-B10-BC-HI-PLBK - 1407693

<https://www.phoenixcontact.com/za/products/1407693>

Protective cover B10, for single locking latch, protective cover material: PC, height: 19.1 mm, seal: no



Filler plugs

Filler plugs - HC-K-BS-M32-BK - 1410754

<https://www.phoenixcontact.com/za/products/1410754>

Filler plug, plastic, size: M32



1407639

<https://www.phoenixcontact.com/za/products/1407639>

Reducing adapter

Reducing adapter - REDUC-K-KV-M32/M20 BK - 1410725

<https://www.phoenixcontact.com/za/products/1410725>



Reducing adapter, material: Polyamide fiberglass reinforced, connecting thread: M32 x 1.5, color: black, with flat gasket

Reducing adapter

Reducing adapter - REDUC-K-KV-M32/M25 BK - 1410712

<https://www.phoenixcontact.com/za/products/1410712>



Reducing adapter, material: Polyamide fiberglass reinforced, connecting thread: M32 x 1.5, color: black, with flat gasket

Housing - HC-EVO-B10-SHFDC-2SSM32-PLRBK



1407639

<https://www.phoenixcontact.com/za/products/1407639>

Snap-in markers

Snap-in markers - US-EMP (20X9) - 0829439

<https://www.phoenixcontact.com/za/products/0829439>

Snap-in markers, Card, white, unlabeled, can be labeled with: BLUEMARK ID COLOR, BLUEMARK ID, THERMOMARK PRIME, THERMOMARK CARD 2.0, THERMOMARK CARD, mounting type: snapped, lettering field size: 20 x 9 mm, Number of individual labels: 70



Cable gland

Cable gland - G-INS-M32-M68N-PNES-BK - 1411136

<https://www.phoenixcontact.com/za/products/1411136>

Cable gland, cable gland material: PA, external cable diameter 15 mm ... 21 mm, shielding: no, connecting thread: M32 x 1.5, color: jet black RAL 9005



Phoenix Contact 2022 © - all rights reserved
<https://www.phoenixcontact.com>

PHOENIX CONTACT (Pty) Ltd.
36 Lyn Road P.O. Box 916 ZA-Ferndale 2160

+27/11/801-8200
info@phoenixcontact.co.za