

# Housing - HC-EVO-B10-BWS-PLRBK



1407632

<https://www.phoenixcontact.com/za/products/1407632>

Please be informed that the data shown in this PDF document is generated from our Online Catalog. Please find the complete data in the user documentation. Our General Terms of Use for Downloads are valid.

---



HEAVYCON EVO panel mounting base, plastic, B10, with single locking latch, height: 30.5 mm, with flat gasket

---

## Your advantages

- Lower costs than metal version
- Low weight
- Lower risk of condensation

# Housing - HC-EVO-B10-BWS-PLRBK



1407632

<https://www.phoenixcontact.com/za/products/1407632>

## Commercial Data

Item number	1407632
Packing unit	1 pc
Minimum order quantity	1 pc
Sales Key	BF7
Product Key	BF7APL
Catalog Page	Page 604 (C-2-2019)
GTIN	4046356776943
Weight per Piece (including packing)	81,5 g
Weight per Piece (excluding packing)	75,6 g
Customs tariff number	85389099
Country of origin	PL

1407632

<https://www.phoenixcontact.com/za/products/1407632>

## Technical Data

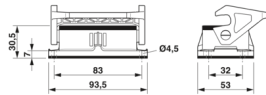
### Notes

General	For contact inserts HC-B10, BB18, DD42, M, K8/24, HV03-I-PT, HC- 3-E...C
---------	--

### Product properties

Type	B10
Product type	Housing with locking latch
Application	Standard
Housing type	Panel mounting base
Locking type	with single locking latch
Pg screw connection	none

### Dimensions

Dimensional drawing	
Width	53 mm
Height	30.5 mm
Length	93.5 mm
Drill hole distance, horizontal	83 mm
Drill hole distance, vertical	32 mm
Hole diameter	4.5 mm

### Installation dimensions

Width of the assembly cutout	35 mm
Length of the assembly cutout	65 mm

### Material specifications

Color	black
Flammability rating according to UL 94	V0 (Housing) V0 (Interlock)
Sealing material	NBR (profile gasket) NBR (Flat gasket)
Locking latch material	PA
Impact strength	IK08
Housing material	PA

### Ambient conditions

Degree of protection	IP66
Degree of protection	12 (UL 50e)
Impact strength	IK08

# Housing - HC-EVO-B10-BWS-PLRBK



1407632

<https://www.phoenixcontact.com/za/products/1407632>

Ambient temperature (operation)	-40 °C ... 125 °C
---------------------------------	-------------------

## Mechanical properties

### Mechanical data

Locking type	Latch
--------------	-------

## Mounting

Assembly instructions	Not for D series terminal adapters
	Not for HC-B 24-ADP-B..... adapter plates

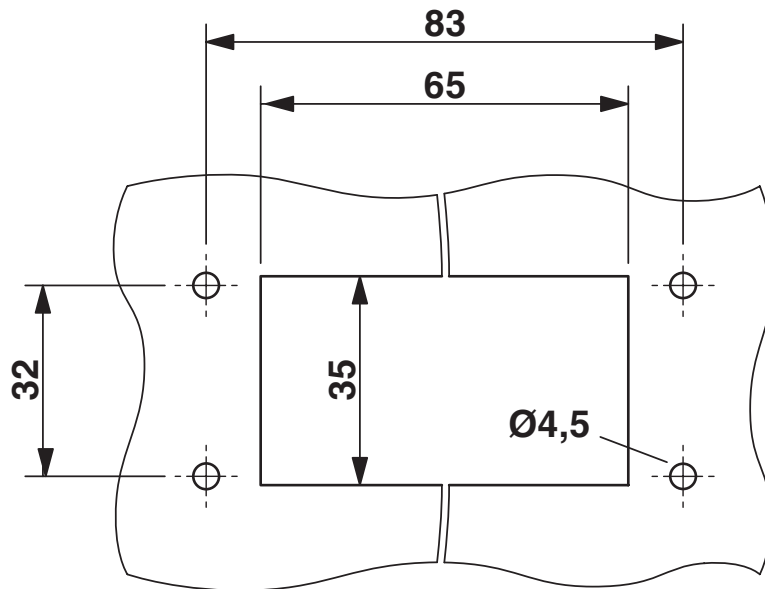
# Housing - HC-EVO-B10-BWS-PLRBK

1407632

<https://www.phoenixcontact.com/za/products/1407632>

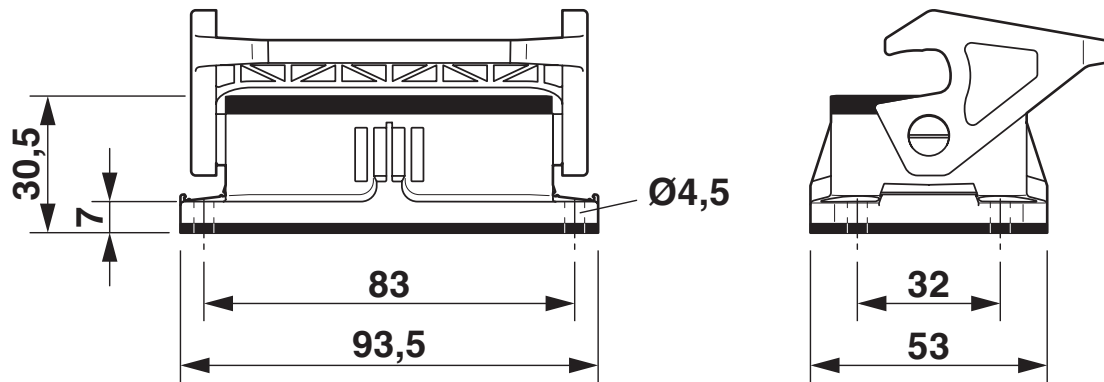
## Drawings

Dimensional drawing



Mounting cutout

Dimensional drawing



Dimensional drawing

# Housing - HC-EVO-B10-BWS-PLRBK



1407632

<https://www.phoenixcontact.com/za/products/1407632>

## Approvals

**DNV**

Approval ID: TAE000037S



**cUL Recognized**

Approval ID: E255026



**UL Recognized**

Approval ID: E255026



**EAC**

Approval ID: RU C-DE.AI30.B.01102



**EAC**

Approval ID: RU C-DE.BL08.B.00511

**cULus Recognized**

1407632

<https://www.phoenixcontact.com/za/products/1407632>

## Classifications

### ECLASS

ECLASS-10.0.1	27440202
ECLASS-9.0	27440202
ECLASS-11.0	27440202

### ETIM

ETIM 8.0	EC000437
----------	----------

### UNSPSC

UNSPSC 21.0	31261500
-------------	----------

# Housing - HC-EVO-B10-BWS-PLRBK



1407632

<https://www.phoenixcontact.com/za/products/1407632>

## Environmental Product Compliance

China RoHS	Environmentally friendly use period: unlimited = EFUP-e
	No hazardous substances above threshold values

# Housing - HC-EVO-B10-BWS-PLRBK



1407632

<https://www.phoenixcontact.com/za/products/1407632>

## Accessories

### Flat gasket

Flat gasket - HC-B10-SG-RBK - 1407703

<https://www.phoenixcontact.com/za/products/1407703>

Replacement flat gasket, for HEAVYCON EVO panel mounting base type B10



---

### Profile gasket

Profile gasket - HC-B10-SP-RBK - 1407707

<https://www.phoenixcontact.com/za/products/1407707>

Profile gasket for HEAVYCON EVO supporting base element type B10



# Housing - HC-EVO-B10-BWS-PLRBK



1407632

<https://www.phoenixcontact.com/za/products/1407632>

## Housing brackets

Housing brackets - HC-B10-SL-PLBK - 1407698

<https://www.phoenixcontact.com/za/products/1407698>



Replacement single locking latch for HEAVYCON EVO housing type B10, PA

---

## Snap-in markers

Snap-in markers - US-EMP (20X9) - 0829439

<https://www.phoenixcontact.com/za/products/0829439>



Snap-in markers, Card, white, unlabeled, can be labeled with: BLUEMARK ID COLOR, BLUEMARK ID, THERMOMARK PRIME, THERMOMARK CARD 2.0, THERMOMARK CARD, mounting type: snapped, lettering field size: 20 x 9 mm, Number of individual labels: 70

# Housing - HC-EVO-B10-BWS-PLRBK

1407632

<https://www.phoenixcontact.com/za/products/1407632>



## Protective cover

Protective cover - HC-B10-BC-HI-PLBK - 1407693

<https://www.phoenixcontact.com/za/products/1407693>

Protective cover B10, for single locking latch, protective cover material: PC, height: 19.1 mm, seal: no



---

Phoenix Contact 2022 © - all rights reserved

<https://www.phoenixcontact.com>

PHOENIX CONTACT (Pty) Ltd.

36 Lyn Road P.O. Box 916 ZA-Ferndale 2160

+27/11/801-8200

[info@phoenixcontact.co.za](mailto:info@phoenixcontact.co.za)