

# Flush-type socket - SACC-DSI-FSY-8CON-M16/0,5 SCO



1407618

<https://www.phoenixcontact.com/au/products/1407618>

Please be informed that the data shown in this PDF document is generated from our Online Catalog. Please find the complete data in the user documentation. Our General Terms of Use for Downloads are valid.



Flush-type female connector, Ethernet hybrid CAT5 (IEC 11801:2002) (100 Mbps), 8-pos., female, M12 SPEEDCON, Y - hybrid, rear mounting, M16 x 1.5, contacts with connected litz wires, cable length: 0.5 m, 0.14 mm<sup>2</sup>, TPE litz wire

## Your advantages

- Pre-assembled with litz wires for immediate use
- Customer-specific assemblies and litz wire lengths available
- All standard pin assignments and codings for signal, data, and power transmission with a uniform design-in design
- For high transmission safety: shield connection to the housing with optional EMC nut

# Flush-type socket - SACC-DSI-FSY-8CON-M16/0,5 SCO



1407618

<https://www.phoenixcontact.com/au/products/1407618>

## Commercial Data

Item number	1407618
Packing unit	1 pc
Minimum order quantity	1 pc
Sales Key	ABQCDH
Product Key	ABQCDH
GTIN	4046356807913
Weight per Piece (including packing)	38.26 g
Weight per Piece (excluding packing)	37 g
Customs tariff number	85444290
Country of origin	DE

# Flush-type socket - SACC-DSI-FSY-8CON-M16/0,5 SCO



1407618

<https://www.phoenixcontact.com/au/products/1407618>

## Technical Data

### Notes

#### Notes on operation

The electrical and mechanical data specified assume that the connector pair is correctly locked and mounted. If the connector is unlocked and if there is a danger of contamination, the connector must be sealed using a protective cap > IP54. Influences arising from litz wires, cables or PCB assembly must also be taken into consideration.

#### Safety note

#### Safety note

**WARNING:** The connectors may not be plugged in or disconnected under load. Ignoring the warning or improper use may damage persons and/or property.

- **WARNING:** Commission properly functioning products only. The products must be regularly inspected for damage. Decommission defective products immediately. Replace damaged products. Repairs are not possible.

- **WARNING:** Only electrically qualified personnel may install and operate the product. They must observe the following safety notes. The qualified personnel must be familiar with the basics of electrical engineering. They must be able to recognize and prevent danger. The relevant symbol on the packaging indicates that only personnel familiar with electrical engineering are allowed to install and operate the product.

- The products are suitable for applications in plant, controller, and electrical device engineering.

- When operating the connectors in outdoor applications, they must be separately protected against environmental influences.

- Assembled products may not be manipulated or improperly opened.

- Only use mating connectors that are specified in the technical data of the standards listed (e.g. the ones listed in the product accessories online at [phoenixcontact.com/products](https://www.phoenixcontact.com/products)).

- When using the product in direct connection with third-party manufacturers, the user is responsible.

- For operating voltages > 50 V AC, conductive connector housings must be grounded

- Ensure that when laying the cable, the tensile load on the connectors does not exceed the upper limit specified in the standards.

- Observe the corresponding technical data. You will find information:

- o On the product

- o On the packing label

- o In the supplied documentation

- o Online at [phoenixcontact.com/products](https://www.phoenixcontact.com/products) under the product

- Only use tools recommended by Phoenix Contact

- Use a protective cap to protect connectors that are not in use. The suitable accessories are available online in the accessory section of the product at [phoenixcontact.com/products](https://www.phoenixcontact.com/products)

- Ensure that the protective or functional ground has been properly connected.

# Flush-type socket - SACC-DSI-FSY-8CON-M16/0,5 SCO



1407618

<https://www.phoenixcontact.com/au/products/1407618>

	<ul style="list-style-type: none"> <li>• VDE 0100/1.97 § 411.1.3.2 and DIN EN 60 204/11.98 § 14.1.3 are applicable when combining several circuits in a cable and/or connector</li> <li>• The connector warms up in normal operation. Depending on the ambient conditions, the surface of the connector can continue to warm up. In this case, the user is responsible for posting warnings (e.g. DIN EN ISO 13732-1:2008-12).</li> </ul>
--	---

## Product properties

Product type	Circular connectors (device side)
Number of positions	8
Shielded	no
Coding	Y - hybrid

## Insulation characteristics

Overvoltage category	III
Degree of pollution	3

## Ambient conditions

Degree of protection	IP67
Degree of protection	IP67, when plugged in
Ambient temperature (operation)	-25 °C ... 85 °C
	-40 °C ... 85 °C (without mechanical actuation)
	-30 °C ... 90 °C (Cable, flexible installation)
	-40 °C ... 105 °C (cable, fixed installation)

## Connector

Insertion/withdrawal cycles	> 100
-----------------------------	-------

## Header 1

Head design	Socket
Head thread type	M12
Head locking type	SPEEDCON
Coding	Y - hybrid

## Electrical properties

Rated surge voltage	0.8 kV
Contact resistance	≤ 3 mΩ
Insulation resistance	> 100 MΩ
Nominal voltage $U_N$	48 V AC (Power and data)
	50 V DC (Power and data)
Nominal current $I_N$	0.5 A (Data)
	6 A (Power)
Transmission medium	Copper

## Material specifications

Flammability rating according to UL 94	V0
--	----

# Flush-type socket - SACC-DSI-FSY-8CON-M16/0,5 SCO



1407618

<https://www.phoenixcontact.com/au/products/1407618>

Sealing material	FKM
Contact material	CuZn
Contact surface material	Ni/Au
Contact carrier material	PPA
Cable gland material	Zinc die-cast, nickel-plated

## Connection data

Conductor connection	
Connection method	Contacts with connected litz wires

## Mounting

Mounting type	Rear mounting
---------------	---------------

## Standards and regulations

M12	
Standards/specifications	IEC 61076-2-101

## Cable / line

Cable length	0.5 m
--------------	-------

### Cable structure

Cable type	TPE litz wire
Signal type/category	Ethernet hybrid CAT5 (IEC 11801:2002), 100 Mbps
Conductor material	Tin-plated Cu litz wires
Conductor structure signal line	1.10 mm
AWG signal line	26
Conductor structure, voltage supply	1.50 mm
AWG power supply	20
Material wire insulation	TPE
Thickness, insulation	0.25 mm
Single wire, color	Signal: orange/white, orange, green/white, green Power: blue, white, brown, black

### Electrical properties

Nominal voltage, cable	300 V
Test voltage, cable	3000 V AC
Conductor resistance	≤ 142 mΩ/m
	≤ 40.1 mΩ/m
Cable insulation resistance	≥ 20 MΩ*km

### Ambient conditions

Ambient temperature (operation)	-30 °C ... 90 °C (Cable, flexible installation)
	-40 °C ... 105 °C (cable, fixed installation)

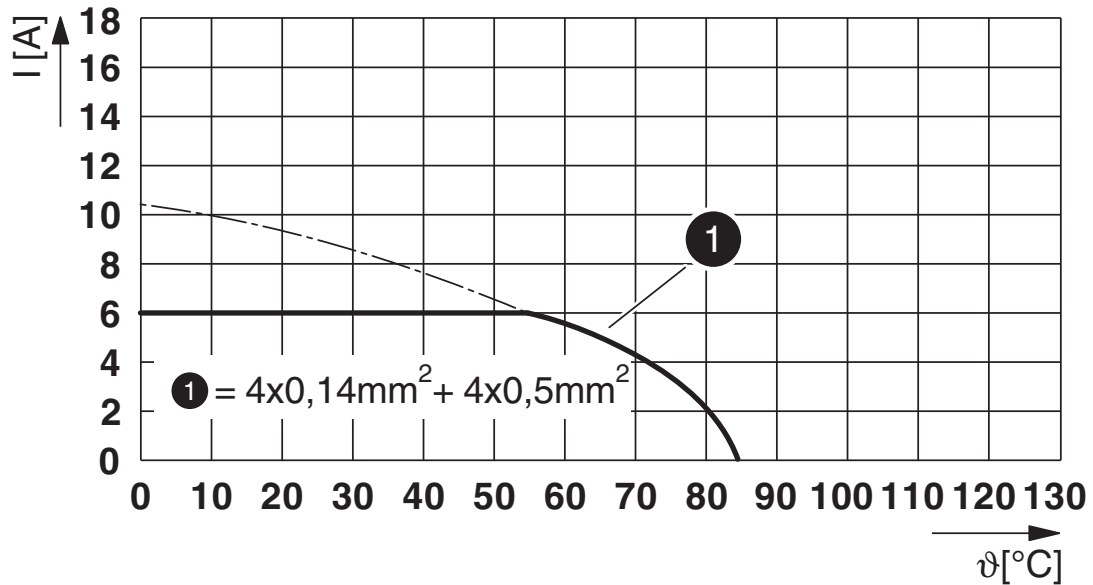
# Flush-type socket - SACC-DSI-FSY-8CON-M16/0,5 SCO

1407618

<https://www.phoenixcontact.com/au/products/1407618>

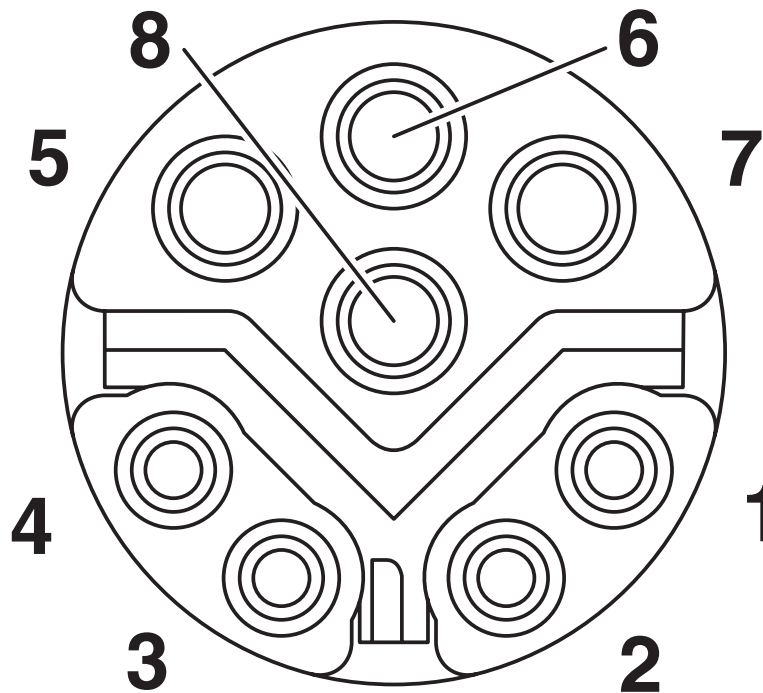
## Drawings

Diagram



I = current strength, T = ambient temperature

Schematic diagram



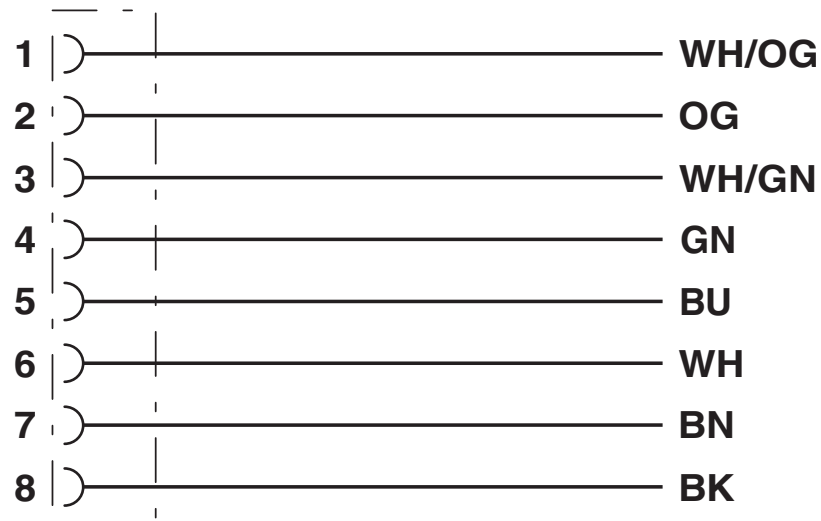
Pin assignment of socket, 8-pos., Y-coded, socket side view

# Flush-type socket - SACC-DSI-FSY-8CON-M16/0,5 SCO

1407618

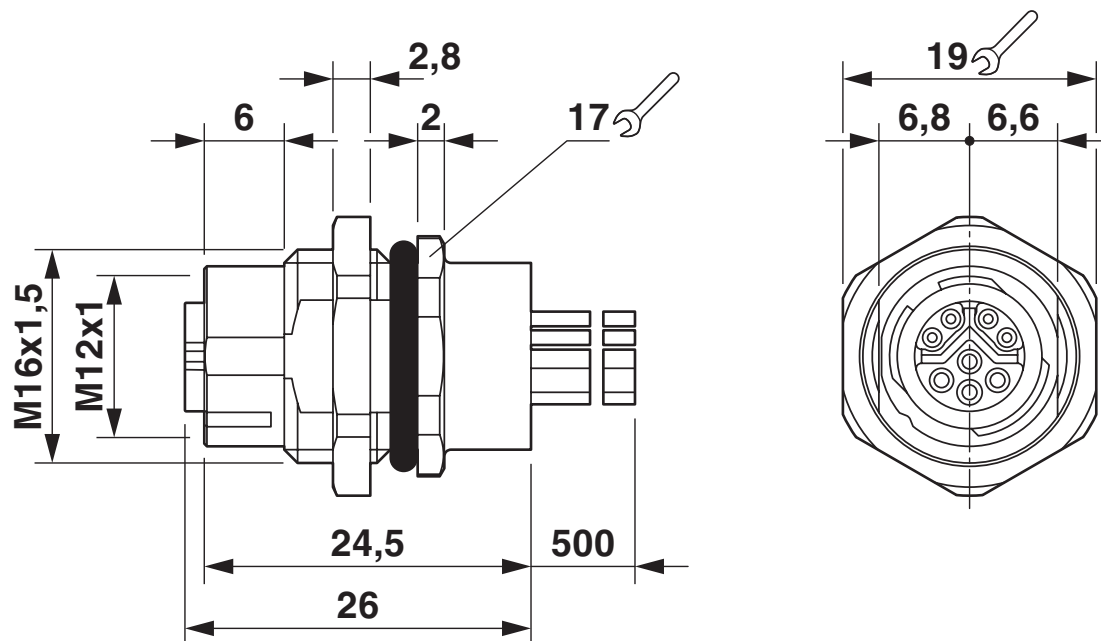
<https://www.phoenixcontact.com/au/products/1407618>

Circuit diagram



Contact assignment of the M12 connector

Dimensional drawing



M12 flush-type socket, rear mounting, M16 fastening thread

# Flush-type socket - SACC-DSI-FSY-8CON-M16/0,5 SCO



1407618

<https://www.phoenixcontact.com/au/products/1407618>

## Approvals



**cUL Recognized**

Approval ID: E335024-20120308



**UL Recognized**

Approval ID: E335024-20120308



**EAC**

Approval ID: B.01687

**cULus Recognized**

# Flush-type socket - SACC-DSI-FSY-8CON-M16/0,5 SCO



1407618

<https://www.phoenixcontact.com/au/products/1407618>

## Classifications

### ECLASS

ECLASS-9.0	27440102
ECLASS-10.0.1	27440102
ECLASS-11.0	27440102

### ETIM

ETIM 8.0	EC002635
----------	----------

### UNSPSC

UNSPSC 21.0	39121400
-------------	----------

# Flush-type socket - SACC-DSI-FSY-8CON-M16/0,5 SCO



1407618

<https://www.phoenixcontact.com/au/products/1407618>

## Environmental Product Compliance

REACH SVHC	Lead 7439-92-1
China RoHS	Environmentally Friendly Use Period = 50 years
	For information on hazardous substances, refer to the manufacturer's declaration available under "Downloads"

# Flush-type socket - SACC-DSI-FSY-8CON-M16/0,5 SCO



1407618

<https://www.phoenixcontact.com/au/products/1407618>

## Accessories

### Screw plug

Screw plug - PROT-M12 - 1680539

<https://www.phoenixcontact.com/au/products/1680539>



An M12 screw plug for the unoccupied M12 sockets of the sensor/actuator cable, boxes and flush-type connectors

---

### Screw plug

Screw plug - PROT-M12 SH - 1503302

<https://www.phoenixcontact.com/au/products/1503302>



An M12 screw plug for the unoccupied M12 sockets of the shielded sensor/actuator cable, boxes and flush-type connectors

# Flush-type socket - SACC-DSI-FSY-8CON-M16/0,5 SCO



1407618

<https://www.phoenixcontact.com/au/products/1407618>

## Screw plug

Screw plug - PROT-M12 FB - 1555538

<https://www.phoenixcontact.com/au/products/1555538>



M12 high-grade steel screw plug, for unoccupied M12 sockets of the sensor/actuator cables, boxes and flush-type connectors for the food industry

---

Phoenix Contact 2022 © - all rights reserved

<https://www.phoenixcontact.com>

PHOENIX CONTACT PTY Ltd

Unit 7, 2-8 South Street

Rydalmere NSW 2116

1300 786 411

[customerservice@phoenixcontact.com.au](mailto:customerservice@phoenixcontact.com.au)