

Mounting frame - SI-M1B-MT - 1407591

Please be informed that the data shown in this PDF Document is generated from our Online Catalog. Please find the complete data in the user's documentation. Our General Terms of Use for Downloads are valid (<http://phoenixcontact.com/download>)

Mounting frame for two front plates/sockets, plastic frame: black, plastic cover: metallic, closed with rotary knob.



RoHS

Key Commercial Data

Packing unit	1 pc
GTIN	 4 046356 776035
GTIN	4046356776035
Weight per Piece (excluding packing)	200.000 g
Custom tariff number	85389099
Country of origin	Czech Republic

Technical data

Dimensions

Width	131 mm
Length	127 mm
Length of the assembly cutout	91 mm
Width of the assembly cutout	117 mm

Ambient conditions

Ambient temperature (operation)	-30 °C ... 70 °C
---------------------------------	------------------

General

Type	For 2 front plates
Color	black
Protective cover	yes

Mounting frame - SI-M1B-MT - 1407591

Technical data

General

Housing material	PBT
Flammability rating according to UL 94	V0
Assembly instructions	Suitable for panel thicknesses 1 mm ... 5 mm

Standards and Regulations

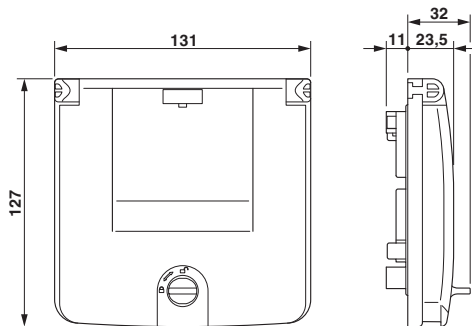
Flammability rating according to UL 94	V0
--	----

Environmental Product Compliance

	Lead 7439-92-1
China RoHS	Environmentally Friendly Use Period = 50
	For details about hazardous substances go to tab "Downloads", Category "Manufacturer's declaration"

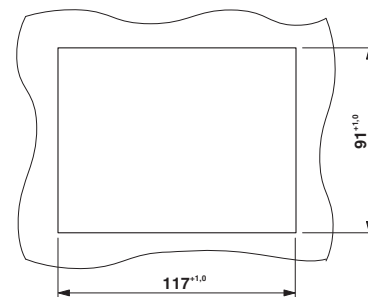
Drawings

Dimensional drawing



Dimensional drawing

Dimensional drawing



Mounting cutout

Classifications

eCl@ss

eCl@ss 4.0	27141209
eCl@ss 4.1	27141209
eCl@ss 5.0	27149109
eCl@ss 5.1	27144000
eCl@ss 6.0	27144000
eCl@ss 7.0	27144001
eCl@ss 8.0	27144001
eCl@ss 9.0	27144001

Mounting frame - SI-M1B-MT - 1407591

Classifications

ETIM

ETIM 3.0	EC000441
ETIM 4.0	EC002625
ETIM 5.0	EC002625
ETIM 6.0	EC000007

UNSPSC

UNSPSC 6.01	30211808
UNSPSC 7.0901	39121408
UNSPSC 11	39121408
UNSPSC 12.01	39121408
UNSPSC 13.2	39121408

Approvals

Approvals

Approvals

EAC

Ex Approvals

Approval details

EAC		RU C- DE.A*30.B.01102
-----	--	--------------------------

Accessories

Accessories

Data front plate

Front plate - VS-SI-FP-2RJ-MOD - 1656631



Front plate, plastic with shroud, for 2x RJ with modular system (Keystone)

Mounting frame - SI-M1B-MT - 1407591

Accessories

Front plate - VS-SI-FP-2DSUB9 - 1656563



Data front plate, plastic, for 2 x 9-pos. D-SUB, item 1656961 may be required for mounting D-SUB inserts

Front plate - VS-SI-FP-DSUB9-DSUB15 - 1656576



Data front plate, plastic, for 1 x 15-pos. D-SUB and 1 x 15-pos. D-SUB, item 1656961 may be required for mounting D-SUB inserts

Front plate - VS-SI-FP-DSUB9-DSUB25 - 1656589



Data front plate, plastic, for 1 x 9-pos. D-SUB and 1 x 25-pos. D-SUB, item 1656961 may be required for mounting D-SUB inserts

Front plate - VS-SI-FP-2DSUB15 - 1656592



Data front plate, plastic, for 2 x 15-pos. D-SUB, item 1656961 may be required for mounting D-SUB inserts

Front plate - VS-SI-FP-DSUB15-DSUB25 - 1656602



Data front plate, plastic, for 1 x 15-pos. D-SUB and 1 x 25-pos. D-SUB, item 1656961 may be required for mounting D-SUB inserts

Mounting frame - SI-M1B-MT - 1407591

Accessories

Front plate - VS-SI-FP-2DSUB25 - 1656615



Data front plate, plastic, for 2x D-SUB 25, item 1656961 may be required for mounting D-SUB inserts

Front plate - VS-SI-FP-BP - 1656657



Front plate, degree of protection: IP20, material: PBT, color: gray

Front plate - VS-SI-FP-2F - 1658532



Front plate, plastic, with two Freenet slots
