

Network cable - NBC-M 8MS/ 1,0-93B/R4AC



1407352

<https://www.phoenixcontact.com/us/products/1407352>

Please be informed that the data shown in this PDF document is generated from our Online Catalog. Please find the complete data in the user documentation. Our General Terms of Use for Downloads are valid.



Network cable, Ethernet (100 Mbps), PROFINET (100 Mbps), EtherCAT® (100 Mbps), 4-position, shielded, Plug straight M8 / IP67, coding: A, on Plug straight RJ45 / IP20, cable length: 1 m

Commercial Data

Item number	1407352
Packing unit	1 pc
Minimum order quantity	1 pc
Note	Made to Order (non-returnable)
Sales Key	B06
Product Key	BF1BJI
Catalog Page	Page 394 (C-2-2019)
GTIN	4046356774802
Weight per Piece (including packing)	91 g
Weight per Piece (excluding packing)	90 g
Customs tariff number	85444290
Country of origin	PL

Technical Data

Notes

General	Further products with variable cable type and variable cable length can be found in the accessories section
---------	---

Product properties

Product type	Data cable preassembled
Number of positions	4
Application	Standard
Shielded	yes
Coding	A - standard

Interfaces

Bus system	Ethernet
Signal type/category	Ethernet, 100 Mbps
	PROFINET, 100 Mbps
	EtherCAT [®] , 100 Mbps
	Ethernet, 100 Mbps
	PROFINET, 100 Mbps
	EtherCAT [®] , 100 Mbps
	Ethernet, 100 Mbps
	PROFINET, 100 Mbps
	EtherCAT [®] , 100 Mbps

LED signaling

Status display	No
Status display present	No

Electrical properties

Nominal voltage U_N	30 V AC
	30 V DC
Nominal current I_N	1 A
Transmission medium	Copper

Material specifications

Color Handle area	gray / black
Material of grip body	TPU, hardly inflammable, self-extinguishing
Contact material	CuSn
Contact surface material	Ni/Au
Contact carrier material	TPU GF
Cable gland material	Zinc die-cast, nickel-plated
Housing material	Plastic

Network cable - NBC-M 8MS/ 1,0-93B/R4AC



1407352

<https://www.phoenixcontact.com/us/products/1407352>

Connector

Connection 1

Type	Plug straight M8 / IP67
Number of positions	4
Coding type	A (Standard)
Handle color	black
Material	CuSn (Contact) Ni/Au (Contact surface) TPU GF (Contact carriers) TPU, hardly inflammable, self-extinguishing (Grip) Zinc die-cast, nickel-plated (Screw connection)
Insertion/withdrawal cycles	≥ 100
Contact resistance	≤ 5 mΩ
Insulation resistance	≥ 100 MΩ
Tightening torque	0.2 Nm
Degree of protection	IP67
Ambient temperature (operation)	-25 °C ... 90 °C

Connection 2

Type	Plug straight RJ45 / IP20
Number of positions	4 (8)
Handle color	black
Material	CuSn (Contact) Ni/Au (Contact surface) PA (Contact carriers) PA (Housing)
Insertion/withdrawal cycles	≥ 750
Ambient temperature (operation)	-25 °C ... 80 °C

Cable / line

Cable length	1 m
Cable weight	67 kg/km
UL AWM Style	21694
Number of positions	4
Shielded	yes
Cable type	PROFINET PVC stranded CAT5 [93B]
Signal runtime	5.3 ns/m
Signal speed	0.66 c
Conductor structure signal line	7x 0.25 mm
AWG signal line	22
Conductor cross section	4x 0.34 mm ²
Wire diameter incl. insulation	1.55 mm
External cable diameter	6.5 mm ±0.2 mm

Network cable - NBC-M 8MS/ 1,0-93B/R4AC



1407352

<https://www.phoenixcontact.com/us/products/1407352>

Outer sheath, material	PVC
External sheath, color	green RAL 6018
Conductor material	Tin-plated Cu litz wires
Material wire insulation	PE
Single wire, color	White, yellow, blue, orange
Thickness, outer sheath	approx. 0.9 mm
Overall twist	Star quad
Optical shield covering	85 %
Insulation resistance	≥ 500 MΩ*km
Coupling resistance	≤ 20.00 mΩ/m (at 10 MHz)
Loop resistance	≤ 120.00 Ω/km
Wave impedance	100 Ω ±15 Ω (at 100 MHz)
Nominal voltage, cable	600 V
Test voltage Core/Core	2000 V (50 Hz, 1 min.)
Test voltage Core/Shield	2000 V (50 Hz, 1 min.)
Minimum bending radius, fixed installation	3 x D
Minimum bending radius, flexible installation	7 x D
Near end crosstalk attenuation (NEXT)	80 dB (with 1 MHz)
	76 dB (at 4 MHz)
	70 dB (at 10 MHz)
	65 dB (at 16 MHz)
	63 dB (at 20 MHz)
	60 dB (at 31.25 MHz)
	55 dB (at 62.5 MHz)
	50 dB (at 100 MHz)
Shield attenuation	2.1 dB (with 1 MHz)
	4 dB (at 4 MHz)
	6.3 dB (at 10 MHz)
	8 dB (at 16 MHz)
	9 dB (at 20 MHz)
	11.4 dB (at 31.25 MHz)
	16.5 dB (at 62.5 MHz)
	21.3 dB (at 100 MHz)
Flame resistance	according to UL 1685 (CSA FT 4)
Resistance to oil	Resistant to oil to a limited extent
Other resistance	UV resistant According to UL 1581, Section 1200
Ambient temperature (operation)	-40 °C ... 70 °C (cable, fixed installation)
	-40 °C ... 70 °C (Cable, flexible installation)
Ambient temperature (installation)	-20 °C ... 60 °C
Signal type/category	Ethernet, 100 Mbps
	PROFINET, 100 Mbps
	EtherCAT®, 100 Mbps

Ambient conditions

Network cable - NBC-M 8MS/ 1,0-93B/R4AC



1407352

<https://www.phoenixcontact.com/us/products/1407352>

Degree of protection	IP65 (M8 connectors)
	IP67 (M8 connectors)
	IP20 (RJ45 connector)
Degree of protection	IP67/IP20
Ambient temperature (operation)	-25 °C ... 90 °C (M8 connectors)
	-25 °C ... 60 °C (RJ45 connector)

Standards and regulations

M8

Standards/specifications	IEC 61076-2-104
--------------------------	-----------------

Network cable - NBC-M 8MS/ 1,0-93B/R4AC

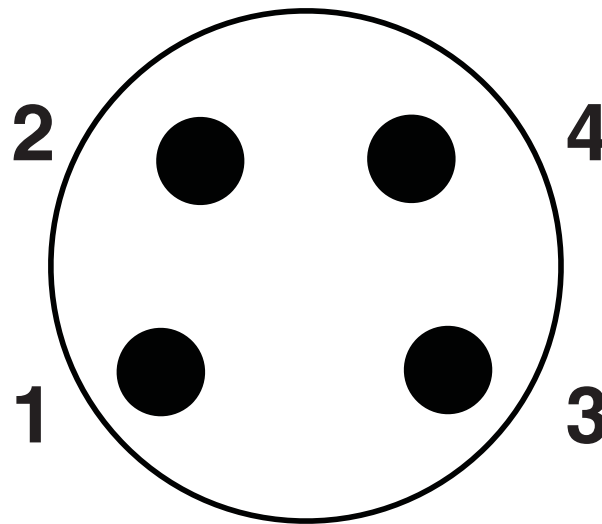
1407352

<https://www.phoenixcontact.com/us/products/1407352>



Drawings

Schematic diagram



Pin assignment M8 plug, 4-pos., view male side

Network cable - NBC-M 8MS/ 1,0-93B/R4AC

1407352

<https://www.phoenixcontact.com/us/products/1407352>



Schematic diagram



Connector pin assignment plug RJ45

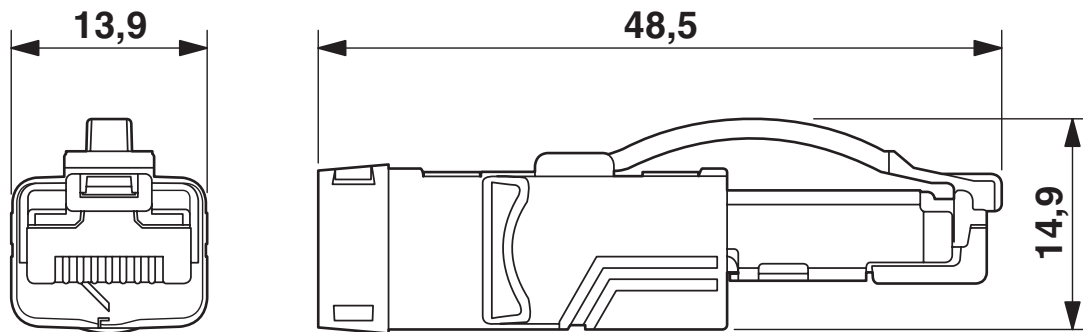
Network cable - NBC-M 8MS/ 1,0-93B/R4AC



1407352

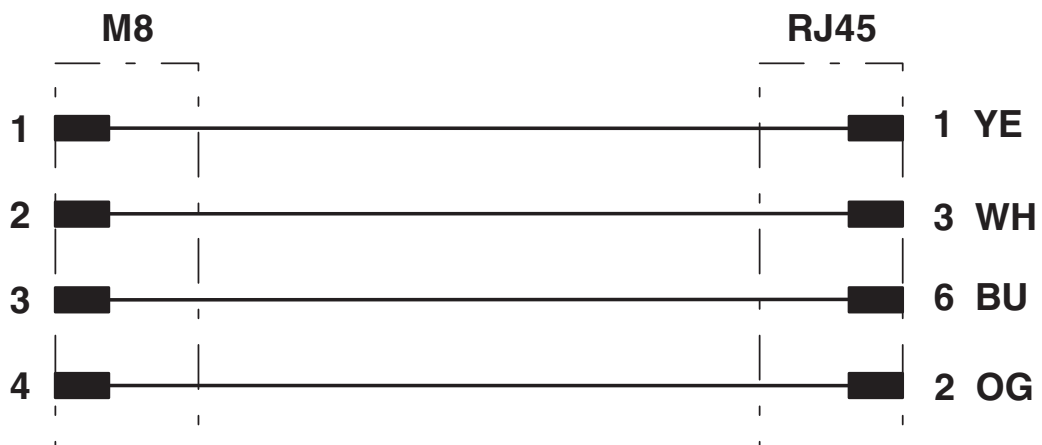
<https://www.phoenixcontact.com/us/products/1407352>

Dimensional drawing



RJ45 connector, IP20

Circuit diagram



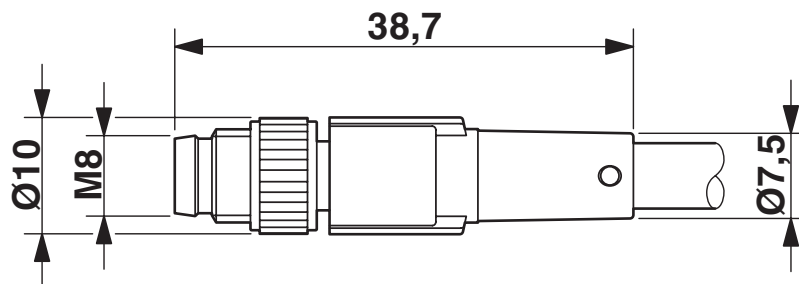
Network cable - NBC-M 8MS/ 1,0-93B/R4AC



1407352

<https://www.phoenixcontact.com/us/products/1407352>

Dimensional drawing



M8 x 1 male plug, straight version

Network cable - NBC-M 8MS/ 1,0-93B/R4AC



1407352

<https://www.phoenixcontact.com/us/products/1407352>

Approvals



EAC

Approval ID: RU D-DE.HB35.B.00387

Network cable - NBC-M 8MS/ 1,0-93B/R4AC



1407352

<https://www.phoenixcontact.com/us/products/1407352>

Classifications

ECLASS

ECLASS-9.0	27060308
ECLASS-10.0.1	27060308
ECLASS-11.0	27060307

ETIM

ETIM 8.0	EC001855
----------	----------

UNSPSC

UNSPSC 21.0	26121600
-------------	----------

Network cable - NBC-M 8MS/ 1,0-93B/R4AC



1407352

<https://www.phoenixcontact.com/us/products/1407352>

Environmental Product Compliance

REACH SVHC	Lead 7439-92-1
China RoHS	Environmentally Friendly Use Period = 50 years
	For information on hazardous substances, refer to the manufacturer's declaration available under "Downloads"

Network cable - NBC-M 8MS/ 1,0-93B/R4AC



1407352

<https://www.phoenixcontact.com/us/products/1407352>

Accessories

Network cable

Network cable - NBC-M 8MS-R4AC/.../... - 1408717

<https://www.phoenixcontact.com/us/products/1408717>



Network cable, Ethernet (100 Mbps), PROFINET (100 Mbps), EtherCAT® (100 Mbps), 4-position, Variable cable type, shielded, Plug straight M8 / IP67, coding: A, on Plug straight RJ45 / IP20, cable length: Free input (0.2 ... 40.0 m)

Network cable

Network cable - NBC-M 8MS-M 8MS/.../... - 1408718

<https://www.phoenixcontact.com/us/products/1408718>



Network cable, Ethernet (100 Mbps), PROFINET (100 Mbps), EtherCAT® (100 Mbps), 4-position, Variable cable type, shielded, Plug straight M8 / IP67, coding: A, on Plug straight M8 / IP67, coding: A, cable length: Free input (0.2 ... 40.0 m)

Network cable - NBC-M 8MS/ 1,0-93B/R4AC



1407352

<https://www.phoenixcontact.com/us/products/1407352>

Network cable

Network cable - NBC-M 8FS-R4AC/.../... - 1408714

<https://www.phoenixcontact.com/us/products/1408714>



Network cable, Ethernet (100 Mbps), PROFINET (100 Mbps), EtherCAT® (100 Mbps), 4-position, Variable cable type, shielded, Plug straight RJ45 / IP20, on Socket straight M8 / IP67, coding: A, cable length: Free input (0.2 ... 40.0 m)

Network cable

Network cable - NBC-M 8MS-M 8FS/.../... - 1408715

<https://www.phoenixcontact.com/us/products/1408715>



Network cable, Ethernet (100 Mbps), PROFINET (100 Mbps), EtherCAT® (100 Mbps), 4-position, Variable cable type, shielded, Plug straight M8 / IP67, coding: A, on Socket straight M8 / IP67, coding: A, cable length: Free input (0.2 ... 40.0 m)

Network cable - NBC-M 8MS/ 1,0-93B/R4AC



1407352

<https://www.phoenixcontact.com/us/products/1407352>

Torque screwdriver

Torque screwdriver - TSD 02 SAC - 1208487

<https://www.phoenixcontact.com/us/products/1208487>



Torque screwdriver, with preset torque of 0.2 Nm and 4 mm hexagonal drive for M8 connectors

Tool

Tool - SAC BIT M8-D10 - 1208461

<https://www.phoenixcontact.com/us/products/1208461>



Nut for assembling M8 connectors with longitudinal knurl and a knurl diameter of 10 mm, for 4 mm hexagonal drive

Network cable - NBC-M 8MS/ 1,0-93B/R4AC

1407352

<https://www.phoenixcontact.com/us/products/1407352>



Sealing cap

Sealing cap - PROT-M 8 FS-PA-CHAIN - 1430857

<https://www.phoenixcontact.com/us/products/1430857>

M8 sealing cap made of plastic with fixing band for sensor cables, for M8 plugs



Phoenix Contact 2022 © - all rights reserved

<https://www.phoenixcontact.com>

Phoenix Contact USA
586 Fulling Mill Road
Middletown, PA 17057, United States
(+717) 944-1300
info@phoenixcon.com