

Contact insert - HC-HS06-I-UT-M - 1406531

Please be informed that the data shown in this PDF Document is generated from our Online Catalog. Please find the complete data in the user's documentation. Our General Terms of Use for Downloads are valid (<http://phoenixcontact.com/download>)



HEAVYCON male insert, HS6 series, 6-pos., screw connection

Why buy this product

- For fast coding with plastic profile

Key Commercial Data

Packing unit	1 STK
Weight per Piece (excluding packing)	100.000 g
Custom tariff number	85366990
Country of origin	China

Technical data

Environmental Product Compliance

China RoHS	Hazardous substances above threshold values;
	Environmentally Friendly Use Period = 50;
	For details go to tab "Downloads", Category "Manufacturer's declaration"

General

Note	For HEAVYCON housing B16 and B32
Connection method	Screw connection
Tightening torque	1.2 Nm
Screwdriver blade	PH1
Degree of pollution	3
Overvoltage category	III
Number of positions	6+PE
Insertion/withdrawal cycles	≥ 500
Size	B16
Connection in acc. with standard	IEC / EN
Conductor cross section	0.5 mm ² ... 6 mm ²

Contact insert - HC-HS06-I-UT-M - 1406531

Technical data

General

Connection cross section AWG	20 ... 10
Stripping length of the individual wire	10 mm
Assembly instructions	Connectors may be operated only when there is no load/voltage.

Ambient conditions

Ambient temperature (operation)	-40 °C ... 125 °C (including heating up of contacts)
---------------------------------	--

Material data

Flammability rating according to UL 94	V0
Contact material	Copper alloy
Contact surface material	Ag
Contact carrier material	PC
Standards/regulations	PC: Fire protection in rail vehicles - requirement sets R22, R23, and R24 acc. to DIN EN 45545-2 (Risk level HL1 - HL3)

Electrical characteristics

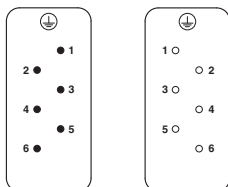
Rated voltage for power contacts	400/690 V
Rated voltage (III/3)	400 V (Conductor-PE)
	690 V (Conductor-Conductor)
Rated surge voltage	6 kV
Rated current	41 A

Standards and Regulations

Connection in acc. with standard	IEC / EN
Flammability rating according to UL 94	V0

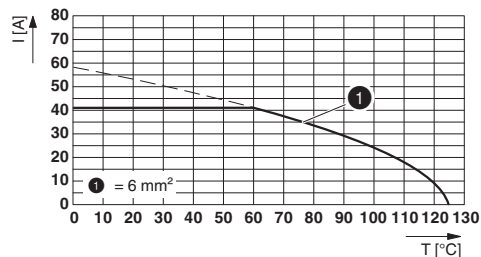
Drawings

Schematic diagram



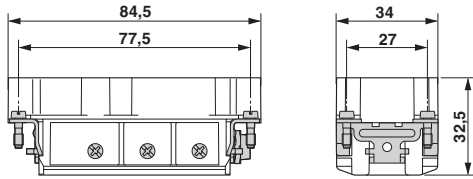
Connector pin assignment, connection side

Diagram



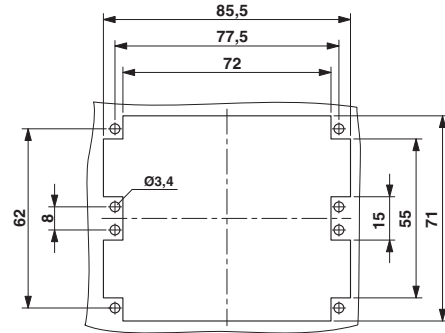
Contact insert - HC-HS06-I-UT-M - 1406531

Dimensional drawing



Male insert

Dimensional drawing



Panel cutout

Classifications

eCl@ss

eCl@ss 5.1	27143424
eCl@ss 6.0	27143424
eCl@ss 8.0	27440205
eCl@ss 9.0	27440205

ETIM

ETIM 4.0	EC000438
ETIM 5.0	EC000438

Approvals

Approvals

Approvals


UL Recognized / EAC / EAC / CSA / GL

Ex Approvals

Approval details

Contact insert - HC-HS06-I-UT-M - 1406531

Approvals

UL Recognized  http://database.ul.com/cgi-bin/XYV/template/LISEXT/1FRAME/index.htm FILE E 118976	
mm ² /AWG/kcmil	10
Nominal current I _N	35 A
Nominal voltage U _N	600 V

EAC EAC-Zulassung

EAC 7500651.22.01.00246

CSA  <http://www.csagroup.org/us/en/services/testing-and-certification/certified-product-listing> 0136631_0_000

GL <http://www.gl-group.com/newbuilding/approvals/index.html> 6196614

Accessories

Accessories

Coding element

Coding element - HC-CST - 1676857



Coding peg for coding up to 16 connectors

Coding element - HC-CBU - 1676860



Coding socket for coding up to 16 connectors

Contact insert - HC-HS06-I-UT-M - 1406531

Accessories

Coding bolt - HC-CB - 1772722



Coding pin, prevents mismatching of up to six connectors with an identical number of positions

Coding profile - CP-HC - 1686478



Coding profile, 4 coding profiles per strip, for insertion in coding keyways

Mounting material

Screw - HC-HS-PES - 1586219



PE screw, for HC-HS contact inserts
