

# Network cable - VS-PPC/ME-IP20-93E-LI/5,0



1405992

<https://www.phoenixcontact.com/gb/products/1405992>

Please be informed that the data shown in this PDF document is generated from our Online Catalog. Please find the complete data in the user documentation. Our General Terms of Use for Downloads are valid.



Assembled Ethernet cable, CAT5e, shielded, 2-pair, AWG 26 stranded (7-wire), RAL 5021 (water blue), RJ45 plug/IP67 push-pull metal housing on RJ45 plug/IP20, line, length 5 m

## Commercial Data

|                                      |                                |
|--------------------------------------|--------------------------------|
| Item number                          | 1405992                        |
| Packing unit                         | 1 pc                           |
| Minimum order quantity               | 1 pc                           |
| Note                                 | Made to Order (non-returnable) |
| Sales Key                            | ABNEAI                         |
| Product Key                          | ABNEAI                         |
| Catalog Page                         | Page 398 (C-2-2019)            |
| GTIN                                 | 4046356476010                  |
| Weight per Piece (including packing) | 304.1 g                        |
| Weight per Piece (excluding packing) | 296 g                          |
| Customs tariff number                | 85444210                       |
| Country of origin                    | PL                             |

# Network cable - VS-PPC/ME-IP20-93E-LI/5,0



1405992

<https://www.phoenixcontact.com/gb/products/1405992>

## Technical Data

### Product properties

|                      |                         |
|----------------------|-------------------------|
| Product type         | Data cable preassembled |
| Number of positions  | 4                       |
| No. of cable outlets | 1                       |
| Number of slots      | 1                       |
| Shielded             | yes                     |
| Cable outlet         | straight                |

### Insulation characteristics

|                     |   |
|---------------------|---|
| Degree of pollution | 2 |
|---------------------|---|

### Electrical properties

|                     |        |
|---------------------|--------|
| Transmission medium | Copper |
|---------------------|--------|

### Material specifications

|  |    |
|--|----|
| Flammability rating according to UL 94 | V2 |
|--|----|

### Connector

|                             |       |
|-----------------------------|-------|
| Insertion/withdrawal cycles | ≥ 200 |
|-----------------------------|-------|

### Connection 1

|                      |      |
|----------------------|------|
| Degree of protection | IP67 |
|----------------------|------|

### Cable / line

|   |  |
|---|--|
| Cable length                                  | 5.00 m                                 |
| Cable weight                                  | 43.00 kg/km                            |
| Cable type                                    | Ethernet                               |
| Cable structure                               | 2x2xAWG26/7; SF/UTP                    |
| External cable diameter                       | 6.70 mm                                |
| Outer sheath, material                        | PUR                                    |
| External sheath, color                        | water blue RAL 5021                    |
| Conductor material                            | Bare Cu litz wires                     |
| Conductor structure signal line               | 7x 0.16 mm                             |
| AWG signal line                               | 26                                     |
| Wire diameter incl. insulation                | 1 mm                                   |
| Single wire, color                            | white-orange, white-green              |
| Smallest bending radius, fixed installation   | 33.5 mm (cable, fixed installation)    |
| Smallest bending radius, movable installation | 33.5 mm (Cable, flexible installation) |
| Smallest bending radius, fixed installation   | 33.5 mm (cable, fixed installation)    |
| Smallest bending radius, movable installation | 33.5 mm (Cable, flexible installation) |

### Ambient conditions

|                      |      |
|----------------------|------|
| Degree of protection | IP20 |
|----------------------|------|

# Network cable - VS-PPC/ME-IP20-93E-LI/5,0



1405992

<https://www.phoenixcontact.com/gb/products/1405992>

|                      |           |
|----------------------|-----------|
|                      | IP67      |
| Degree of protection | IP67/IP20 |

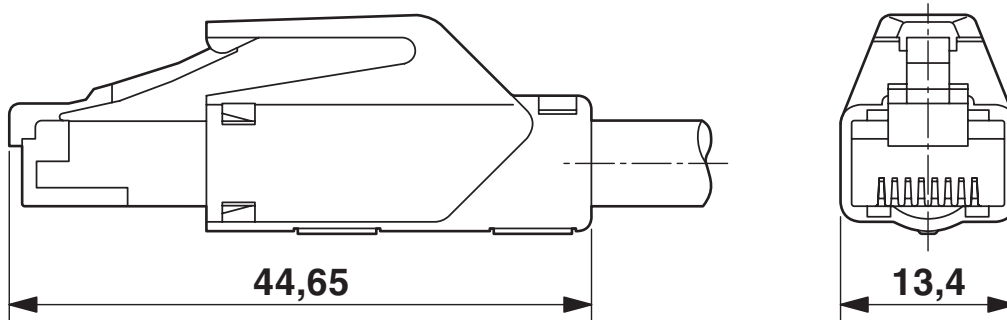
# Network cable - VS-PPC/ME-IP20-93E-LI/5,0

1405992

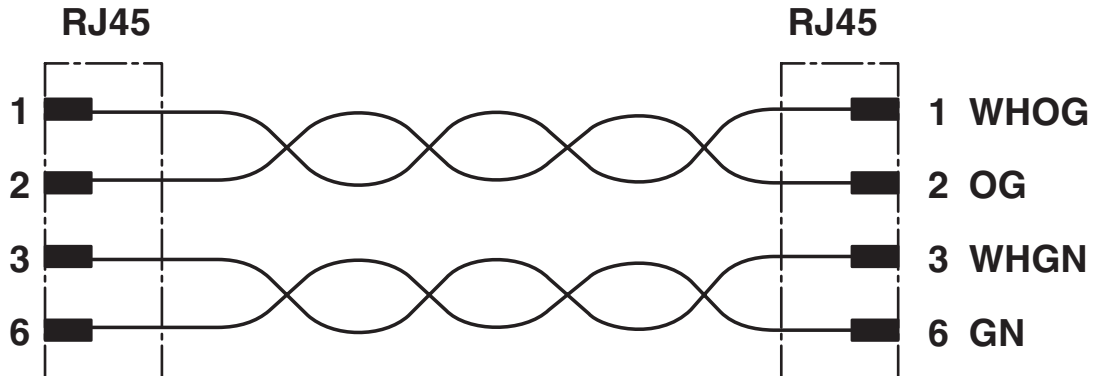
<https://www.phoenixcontact.com/gb/products/1405992>

## Drawings

Dimensional drawing



Circuit diagram



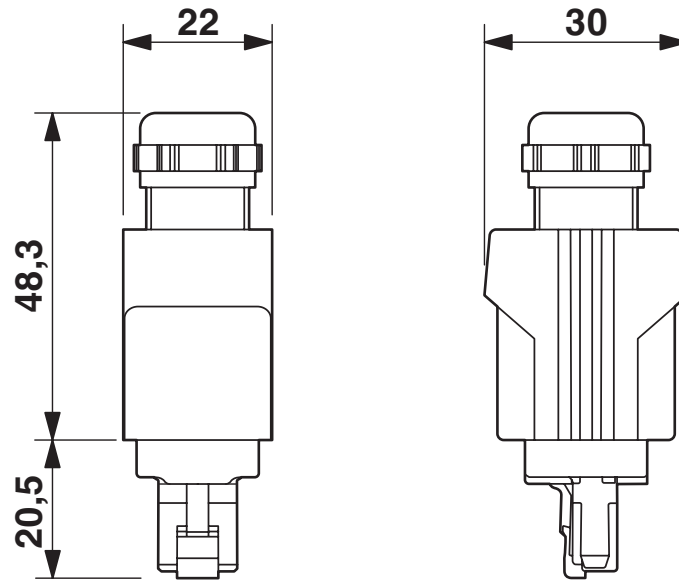
# Network cable - VS-PPC/ME-IP20-93E-LI/5,0

1405992

<https://www.phoenixcontact.com/gb/products/1405992>



Dimensional drawing



Push-pull RJ45 connector IP65/67

# Network cable - VS-PPC/ME-IP20-93E-LI/5,0



1405992

<https://www.phoenixcontact.com/gb/products/1405992>

## Approvals



**EAC**

Approval ID: 19060508

# Network cable - VS-PPC/ME-IP20-93E-LI/5,0



1405992

<https://www.phoenixcontact.com/gb/products/1405992>

## Classifications

### ECLASS

|               |          |
|---------------|----------|
| ECLASS-9.0    | 27060308 |
| ECLASS-10.0.1 | 27060308 |
| ECLASS-11.0   | 27060308 |

### ETIM

|          |          |
|----------|----------|
| ETIM 8.0 | EC002599 |
|----------|----------|

### UNSPSC

|             |          |
|-------------|----------|
| UNSPSC 21.0 | 26121600 |
|-------------|----------|

# Network cable - VS-PPC/ME-IP20-93E-LI/5,0



1405992

<https://www.phoenixcontact.com/gb/products/1405992>

## Environmental Product Compliance

|            |  |
|------------|--|
| China RoHS | Environmentally Friendly Use Period = 50 years<br>For information on hazardous substances, refer to the manufacturer's declaration available under "Downloads" |
|------------|--|

Phoenix Contact 2022 © - all rights reserved  
<https://www.phoenixcontact.com>

PHOENIX CONTACT Ltd  
Halesfield 13, Telford  
Shropshire, TF7 4PG  
01952 681700  
[info@phoenixcontact.co.uk](mailto:info@phoenixcontact.co.uk)