

Network cable - VS-M12FSBPS-M12MSS-94B/10,0 - 1405267

Please be informed that the data shown in this PDF Document is generated from our Online Catalog. Please find the complete data in the user's documentation. Our General Terms of Use for Downloads are valid (<http://phoenixcontact.com/download>)




Assembled Ethernet cable, shielded, 4-pair, 26 AWG stranded (7-wire), RAL 5021 (water blue), M12 flush-type plug to M12 flush-type socket, rear/screw mounting with M16 thread, line, length: 10 m

RoHS

Ethernet

Key Commercial Data

Packing unit	1 pc
Minimum order quantity	25 pc
GTIN	 4 046356 738903
GTIN	4046356738903

Technical data

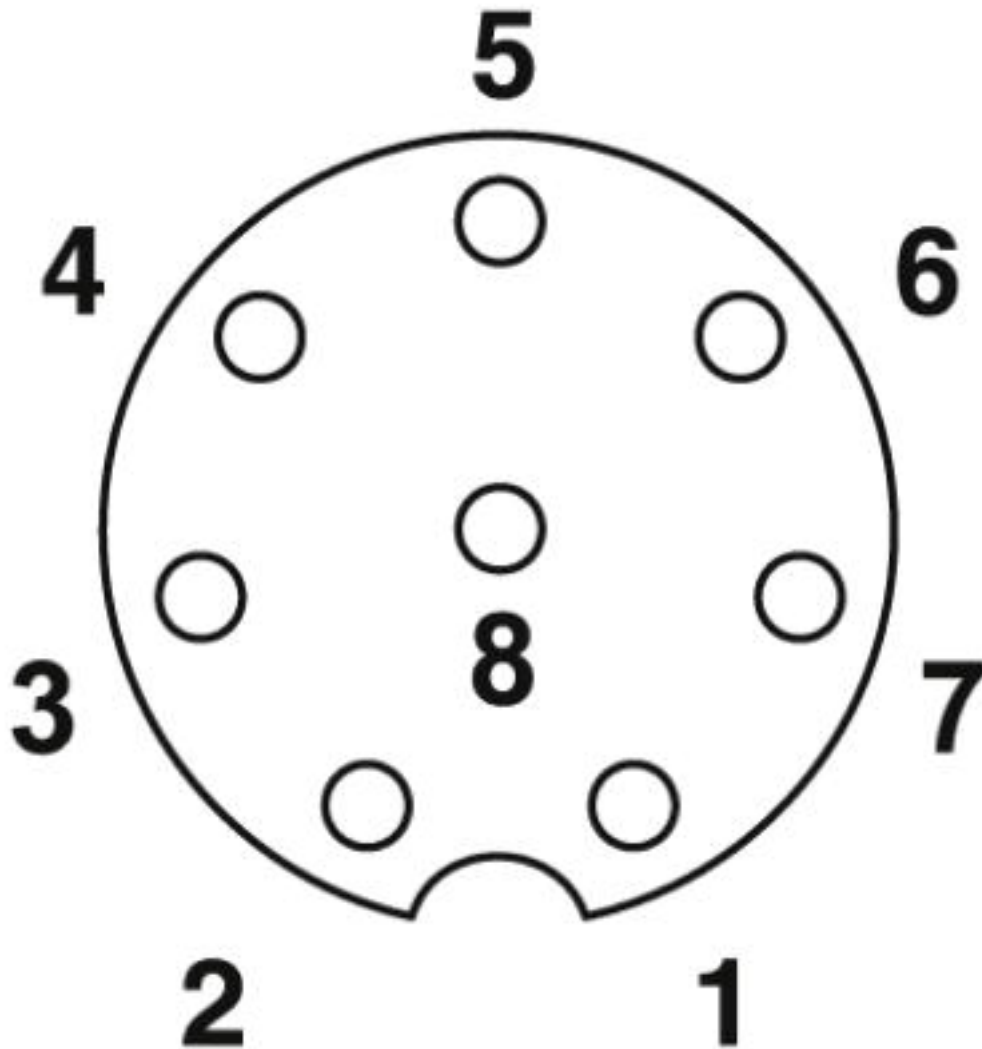
Environmental Product Compliance

	Lead 7439-92-1
China RoHS	For details about hazardous substances go to tab "Downloads", Category "Manufacturer's declaration"

Drawings

Network cable - VS-M12FSBPS-M12MSS-94B/10,0 - 1405267

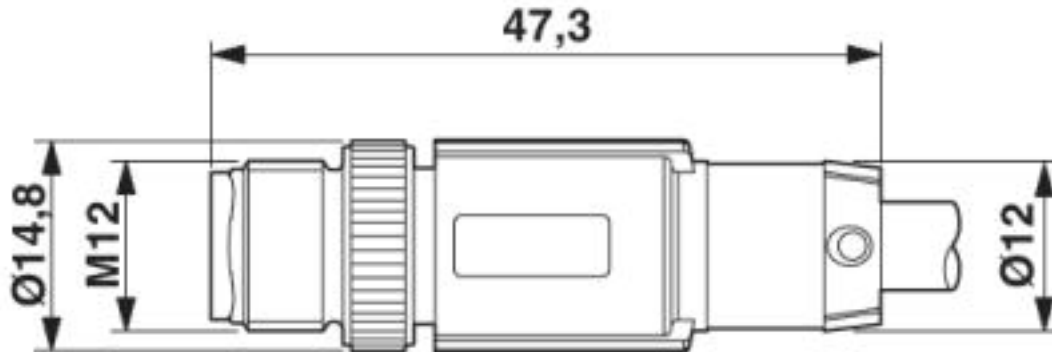
Schematic diagram



Pin assignment M12 socket, 8-pos., A-coded, view female side

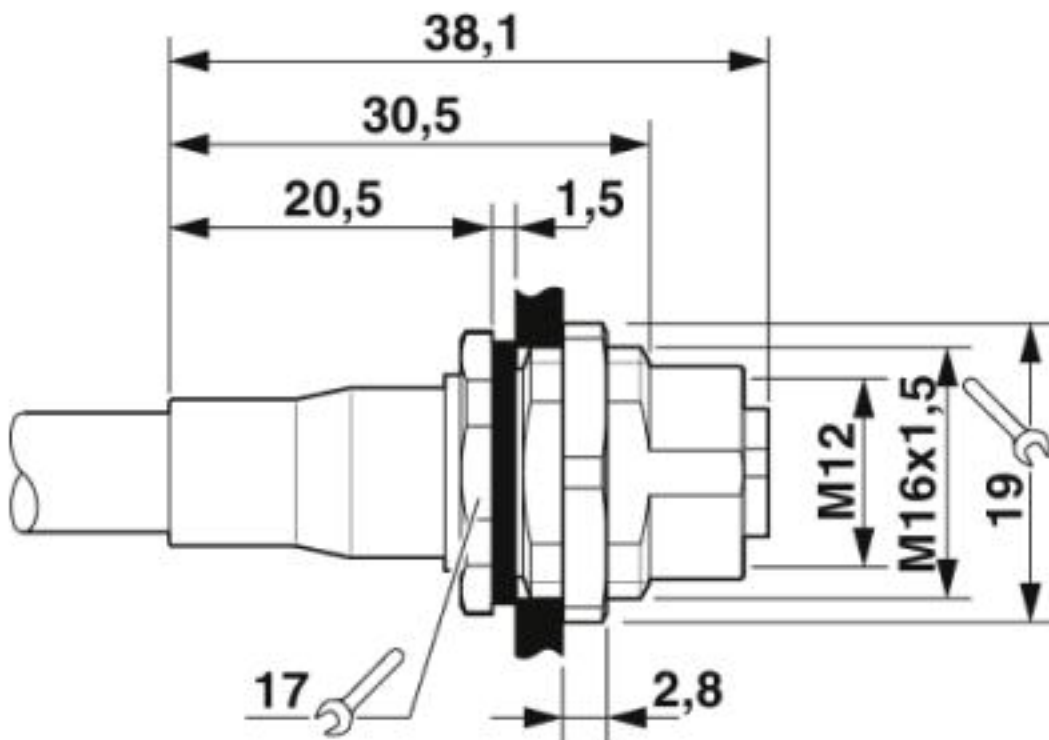
Network cable - VS-M12FSBPS-M12MSS-94B/10,0 - 1405267

Dimensional drawing



Plug, M12 x 1, straight, shielded

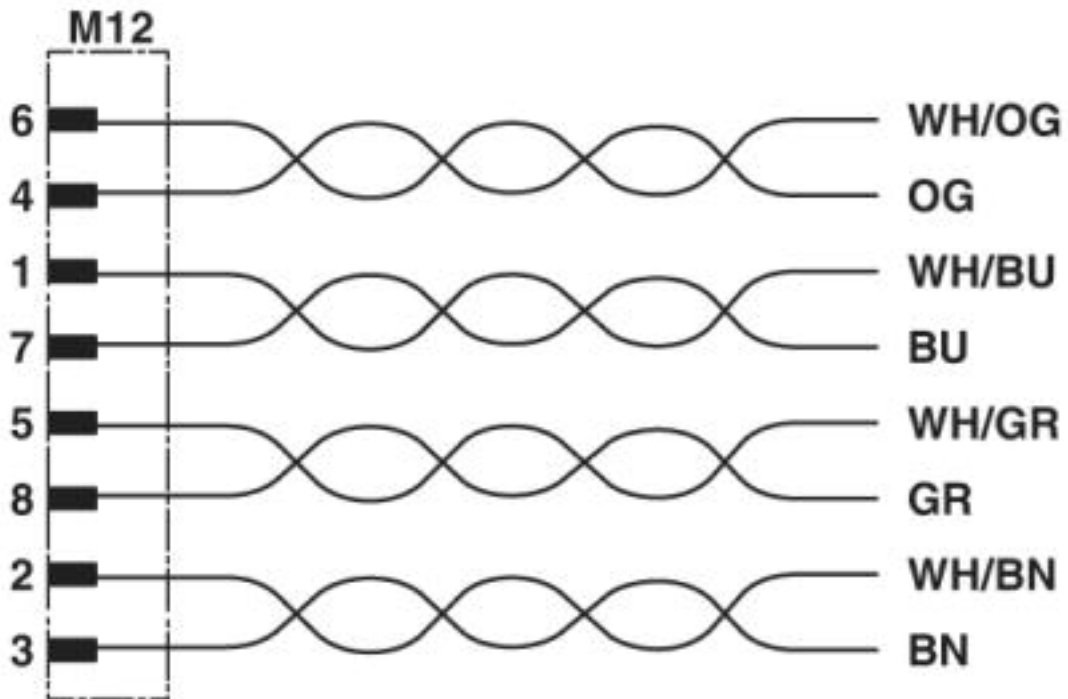
Dimensional drawing



M12 flush-type connector

Network cable - VS-M12FSBPS-M12MSS-94B/10,0 - 1405267

Circuit diagram



Contact assignment of the M12 plug and the M12 socket

Approvals

Approvals

Approvals

EAC

Ex Approvals

Approval details

EAC		B.00767
-----	--	---------

Phoenix Contact 2019 © - all rights reserved
<http://www.phoenixcontact.com>

PHOENIX CONTACT GmbH & Co. KG
Flachsmarktstr. 8
32825 Blomberg
Germany
Tel. +49 5235 300
Fax +49 5235 3 41200
<http://www.phoenixcontact.com>