

Contact insert - HC-HV03-I-CT-F



1405261

<https://www.phoenixcontact.com/pc/products/1405261>

Please be informed that the data shown in this PDF document is generated from our Online Catalog. Please find the complete data in the user documentation. Our General Terms of Use for Downloads are valid.



HEAVYCON socket insert, for 830 V (III/3), with 3 N/O contacts and 2 switch contacts, crimp connection

Commercial Data

Item number	1405261
Packing unit	1 pc
Minimum order quantity	1 pc
Product Key	BF7ABG
Catalog Page	Page 561 (C-2-2019)
GTIN	4055626063492
Weight per Piece (including packing)	48.2 g
Weight per Piece (excluding packing)	40.2 g
Customs tariff number	85366990
Country of origin	CN

Contact insert - HC-HV03-I-CT-F



1405261

<https://www.phoenixcontact.com/pc/products/1405261>

Technical Data

Notes

General	For HC ADVANCE-B10, HC-HV 3 housings, crimp contacts CK 2,5-ED (crimp contacts not included in scope of supply)
General	Connectors may be operated only when there is no load/voltage.

Mounting

Assembly instructions	To ensure correct use, installation in housing with IP54 protection or better is required
-----------------------	---

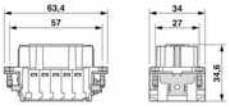
Product properties

Type	B10
Product type	Contact insert with a fixed no. of positions
Number of positions	5
Connection profile	3+2+PE
Number of connections per position	1
No. of power contacts	3
No. of control contacts	2
Contact type	turned
Series	HC-HV

Insulation characteristics

Overvoltage category	III
Degree of pollution	3

Dimensions

Dimensional drawing	
Width	34 mm
Height	34.6 mm
Length	64 mm
Drill hole distance, horizontal	57 mm
Drill hole distance, vertical	27 mm

Mechanical characteristics

Contact diameter	2.5 mm
------------------	--------

Connection data

Connection technology

Connection technology	Crimp connection
Number of connections per position	1

Contact insert - HC-HV03-I-CT-F



1405261

<https://www.phoenixcontact.com/pc/products/1405261>

Conductor connection

Conductor cross section	0.5 mm ² ... 4 mm ² (power contacts)
	0.5 mm ² ... 4 mm ² (control contacts)
Connection cross section AWG	20 ... 12 (power contacts)
	20 ... 12 (control contacts)
Tightening torque	0.8 Nm ... 1.2 Nm (PE connection)
	0.5 Nm ... 0.8 Nm (Mounting screws for mounting in the HEAVYCON housing)
Stripping length of the individual wire	7.5 mm (Power contact)
	7.5 mm (control contact)

Electrical properties

Rated voltage (III/2) contacts	830 V
Rated voltage (III/3)	690 V
Rated surge voltage (III/2)	8 kV
Rated surge voltage (III/3)	6 kV
Rated surge voltage	8 kV (power contacts)
	6 kV (control contacts)
Rated current	16 A
	16 A

Mechanical properties

Mechanical data

Insertion/withdrawal cycles	≥ 500
-----------------------------	-------

Material specifications

Flammability rating according to UL 94	V0
Contact material	Copper alloy
Contact surface material	Ag (alternatively Au)
Contact carrier material	PC
Standards/regulations	PC: Fire protection in rail vehicles - requirement sets R22, R23, and R24 acc. to DIN EN 45545-2 (Risk level HL1 - HL3)

Environmental and real-life conditions

Ambient conditions

Ambient temperature (operation)	-40 °C ... 125 °C (including heating up of contacts)
---------------------------------	--

Standards and regulations

Testing

Standards/regulations	PC: Fire protection in rail vehicles - requirement sets R22, R23, and R24 acc. to DIN EN 45545-2 (Risk level HL1 - HL3)
-----------------------	---

Contact insert - HC-HV03-I-CT-F

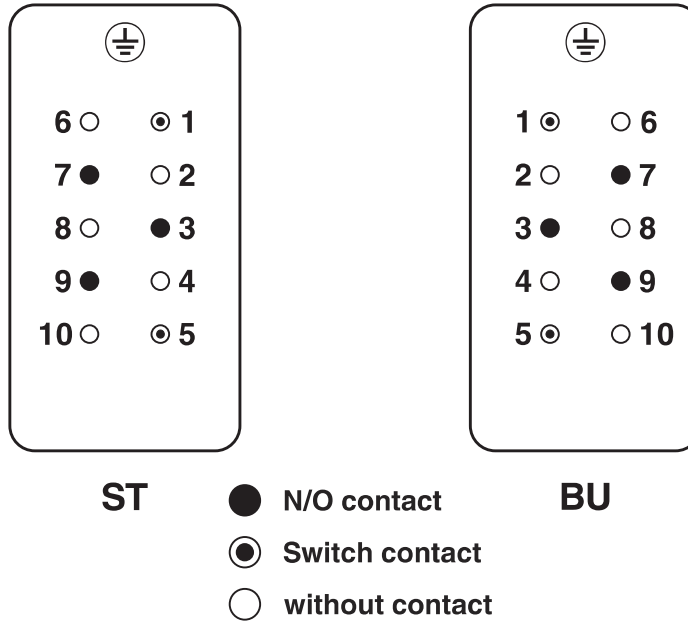


1405261

<https://www.phoenixcontact.com/pc/products/1405261>

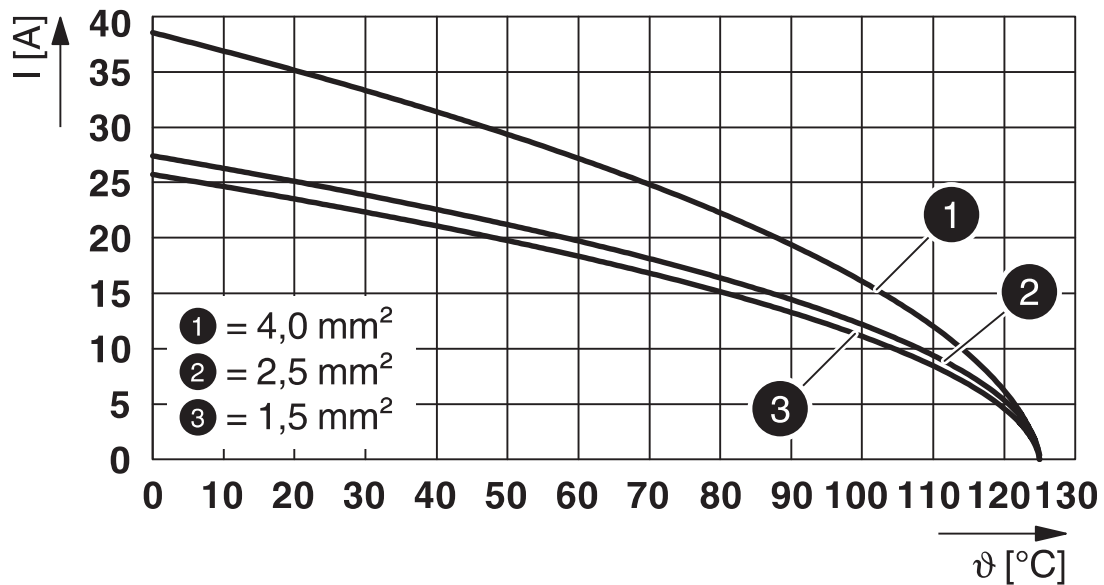
Drawings

Schematic diagram



View termination side

Diagram



Derating diagram

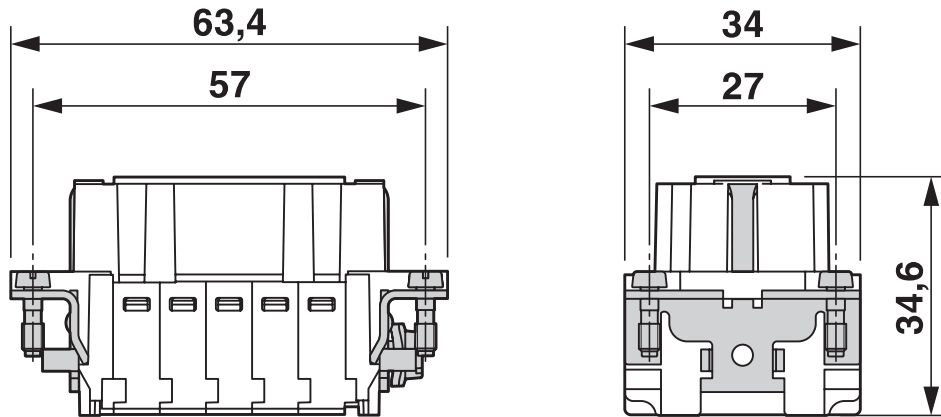
Contact insert - HC-HV03-I-CT-F



1405261

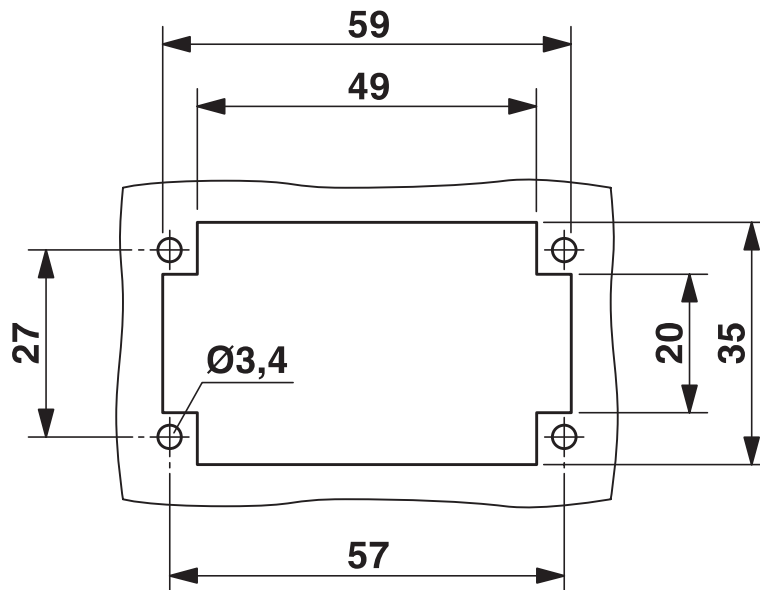
<https://www.phoenixcontact.com/pc/products/1405261>

Dimensional drawing



Dimensional drawing

Dimensional drawing



Mounting cutout when used without housing

Contact insert - HC-HV03-I-CT-F



1405261

<https://www.phoenixcontact.com/pc/products/1405261>

Approvals

DNV

Approval ID: TAE000037S



CSA

Approval ID: 013631_6233_01

	Nominal Voltage U_N	Nominal Current I_N	Cross Section AWG	Cross Section mm^2
	600 V	20 A	20 - 12	-



EAC

Approval ID: RU C-DE.BL08.B.00511



cULus Recognized

Approval ID: E468743

	Nominal Voltage U_N	Nominal Current I_N	Cross Section AWG	Cross Section mm^2
	600 V	16 A	- 12	-

Contact insert - HC-HV03-I-CT-F



1405261

<https://www.phoenixcontact.com/pc/products/1405261>

Classifications

ECLASS

ECLASS-9.0	27440205
ECLASS-10.0.1	27440205
ECLASS-11.0	27440205

ETIM

ETIM 8.0	EC000438
----------	----------

UNSPSC

UNSPSC 21.0	39121500
-------------	----------

Contact insert - HC-HV03-I-CT-F

1405261

<https://www.phoenixcontact.com/pc/products/1405261>



Environmental Product Compliance

China RoHS

Environmentally friendly use period: unlimited = EFUP-e

No hazardous substances above threshold values