

VS-PPC-C1-PC67-MNNA-OL - Protective cover



1405251

<https://www.phoenixcontact.com/de/produkte/1405251>

Please be informed that the data shown in this PDF document is generated from our Online Catalog. Please find the complete data in the user documentation. Our General Terms of Use for Downloads are valid.

Protective cover, IP67, metal version, to cover the contact insert in the RJ45 and SC-RJ push-pull panel mounting frames



Commercial Data

Item number	1405251
Packing unit	1 pc
Minimum order quantity	10 pc
Sales Key	D1 - Steckverbinder
Product Key	ABNODZ
GTIN	4046356334778
Weight per Piece (including packing)	59,9 g
Weight per Piece (excluding packing)	59,9 g
Customs tariff number	79070000
Country of origin	DE

1405251

<https://www.phoenixcontact.com/de/produkte/1405251>

Technical Data

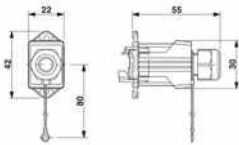
Notes

General	This product corresponds to the PROFINET Cabling and Interconnection Technology Guideline for PROFINET regulations, version 2.00, order no: 2.252, Chapter 8.2 Connectors for Outside Environment (Balanced cabling) and Chapter 8.4 Connectors for outside environment (optical fibre) and Chapter 13 Application specific Cabling and Interconnection Technology (AIDA)
---------	---

Product properties

Product type	Protective cover
Locking type	Push Pull

Dimensions

Dimensional drawing	
Width	22 mm
Height	30 mm
Length	70 mm

Material specifications

Color	silver
Material	Metal
Flammability rating according to UL 94	V0
Housing surface material	nickel-plated
O-ring material	NBR
Housing material	Zinc die-cast

Mechanical properties

Mechanical data

Insertion/withdrawal cycles	≥ 500
-----------------------------	-------

Environmental and real-life conditions

Ambient conditions

Degree of protection	IP65/IP67
Ambient temperature (operation)	-40 °C ... 70 °C

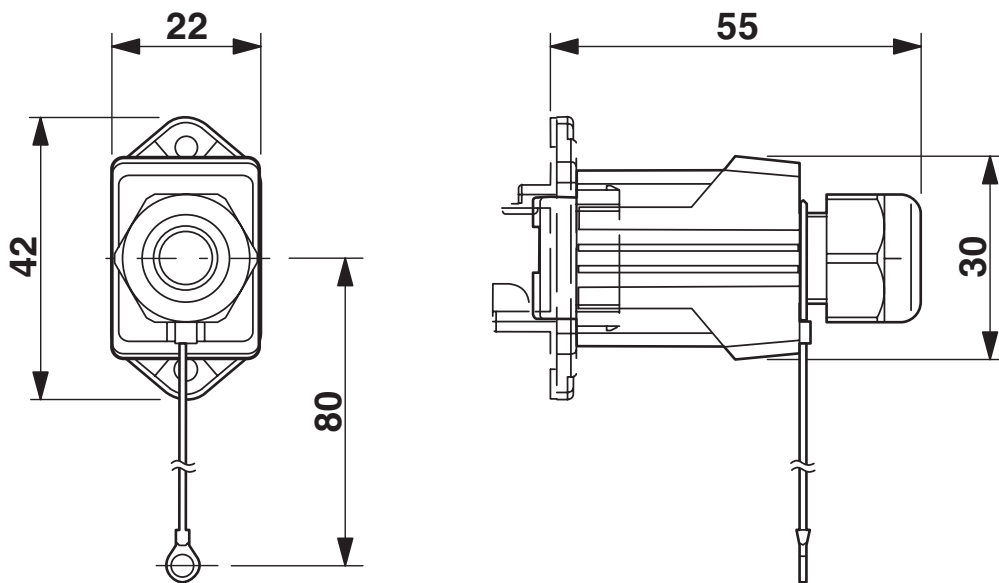
VS-PPC-C1-PC67-MNNA-OL - Protective cover

1405251

<https://www.phoenixcontact.com/de/produkte/1405251>

Drawings

Dimensional drawing



Protective cover for the Push-Pull panel mounting frame

VS-PPC-C1-PC67-MNNA-OL - Protective cover



1405251

<https://www.phoenixcontact.com/de/produkte/1405251>

Approvals



EAC

Approval ID: B.01687



EAC

Approval ID: B.01687

1405251

<https://www.phoenixcontact.com/de/produkte/1405251>

Classifications

ECLASS

ECLASS-11.0	27440208
ECLASS-12.0	27440208
ECLASS-13.0	27440208

ETIM

ETIM 8.0	EC002314
----------	----------

UNSPSC

UNSPSC 21.0	39121400
-------------	----------

VS-PPC-C1-PC67-MNNA-OL - Protective cover



1405251

<https://www.phoenixcontact.com/de/produkte/1405251>

Environmental Product Compliance

China RoHS	Environmentally friendly use period: unlimited = EFUP-e No hazardous substances above threshold values
------------	---

Phoenix Contact 2023 © - all rights reserved
<https://www.phoenixcontact.com>

PHOENIX CONTACT Deutschland GmbH
Flachmarktstraße 8
D-32825 Blomberg
+49 52 35/3-1 20 00
info@phoenixcontact.de