

# Flush-type connector - SACC-DSI-M12MS-4CON-L180 VA



1404979

<https://www.phoenixcontact.com/au/products/1404979>

Please be informed that the data shown in this PDF document is generated from our Online Catalog. Please find the complete data in the user documentation. Our General Terms of Use for Downloads are valid.

---

Flush-type connector, 4-position, Plug, straight, M12, A-coded, Solder pins



---

## Your advantages

- Easy PCB assembly: one-piece connectors for wave soldering

# Flush-type connector - SACC-DSI-M12MS-4CON-L180 VA



1404979

<https://www.phoenixcontact.com/au/products/1404979>

## Commercial Data

Item number	1404979
Packing unit	20 pc
Minimum order quantity	20 pc
Sales Key	ABQCFC
Product Key	ABQCFC
Catalog Page	Page 270 (C-2-2013)
GTIN	4046356740760
Weight per Piece (including packing)	15.45 g
Weight per Piece (excluding packing)	15.45 g
Customs tariff number	85366990
Country of origin	DE

# Flush-type connector - SACC-DSI-M12MS-4CON-L180 VA



1404979

<https://www.phoenixcontact.com/au/products/1404979>

## Technical Data

### Notes

Notes on operation	The electrical and mechanical data specified assume that the connector pair is correctly locked and mounted. If the connector is unlocked and if there is a danger of contamination, the connector must be sealed using a protective cap > IP54. Influences arising from litz wires, cables or PCB assembly must also be taken into consideration.
--------------------	--

### Product properties

Product type	Circular connectors (device side)
Number of positions	4
Shielded	no
Coding	A - standard

### Insulation characteristics

Overvoltage category	II
Degree of pollution	3

### Ambient conditions

Degree of protection	IP65/IP67/IP69/IP69K
Degree of protection	IP65/IP67/IP69K
Ambient temperature (operation)	-25 °C ... 85 °C (Plug / socket)
	-40 °C ... 85 °C (without mechanical actuation)
	-25 °C ... 85 °C (Cable, flexible installation)
	-40 °C ... 85 °C (cable, fixed installation)

### Dimensions

Dimensional drawing	
Length of the solder pin	6 mm
	6 mm

### Connector

Insertion/withdrawal cycles	> 100
-----------------------------	-------

### Header 1

Head design	Plug
Head cable outlet	straight
Head thread type	M12
Coding	A-coded

# Flush-type connector - SACC-DSI-M12MS-4CON-L180 VA



1404979

<https://www.phoenixcontact.com/au/products/1404979>

## Electrical properties

Rated surge voltage	2.5 kV
Contact resistance	≤ 3 mΩ
Insulation resistance	≥ 100 MΩ
Nominal voltage U <sub>N</sub>	250 V
Nominal current I <sub>N</sub>	4 A
Test voltage	2.5 kV

## Material specifications

Flammability rating according to UL 94	V0
Sealing material	FKM
Contact material	CuZn
Contact surface material	Au
Contact carrier material	PA 6.6
Cable gland material	Stainless steel

## Connection data

### Conductor connection

Connection method	Solder pins
-------------------	-------------

## Mounting

Mounting type	Rear mounting, Pg9 thread with lock nut
---------------	---

## Standards and regulations

### M12

Standards/specifications	IEC 61076-2-101
--------------------------	-----------------

## Cable / line

### Ambient conditions

Ambient temperature (operation)	-25 °C ... 85 °C (Cable, flexible installation)
	-40 °C ... 85 °C (cable, fixed installation)

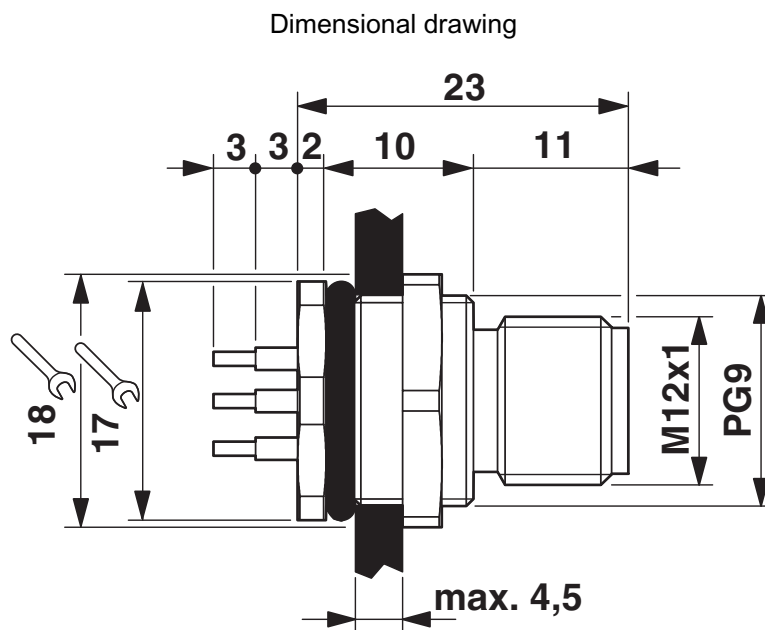
# Flush-type connector - SACC-DSI-M12MS-4CON-L180 VA



1404979

<https://www.phoenixcontact.com/au/products/1404979>

## Drawings



M12 flush-type plug

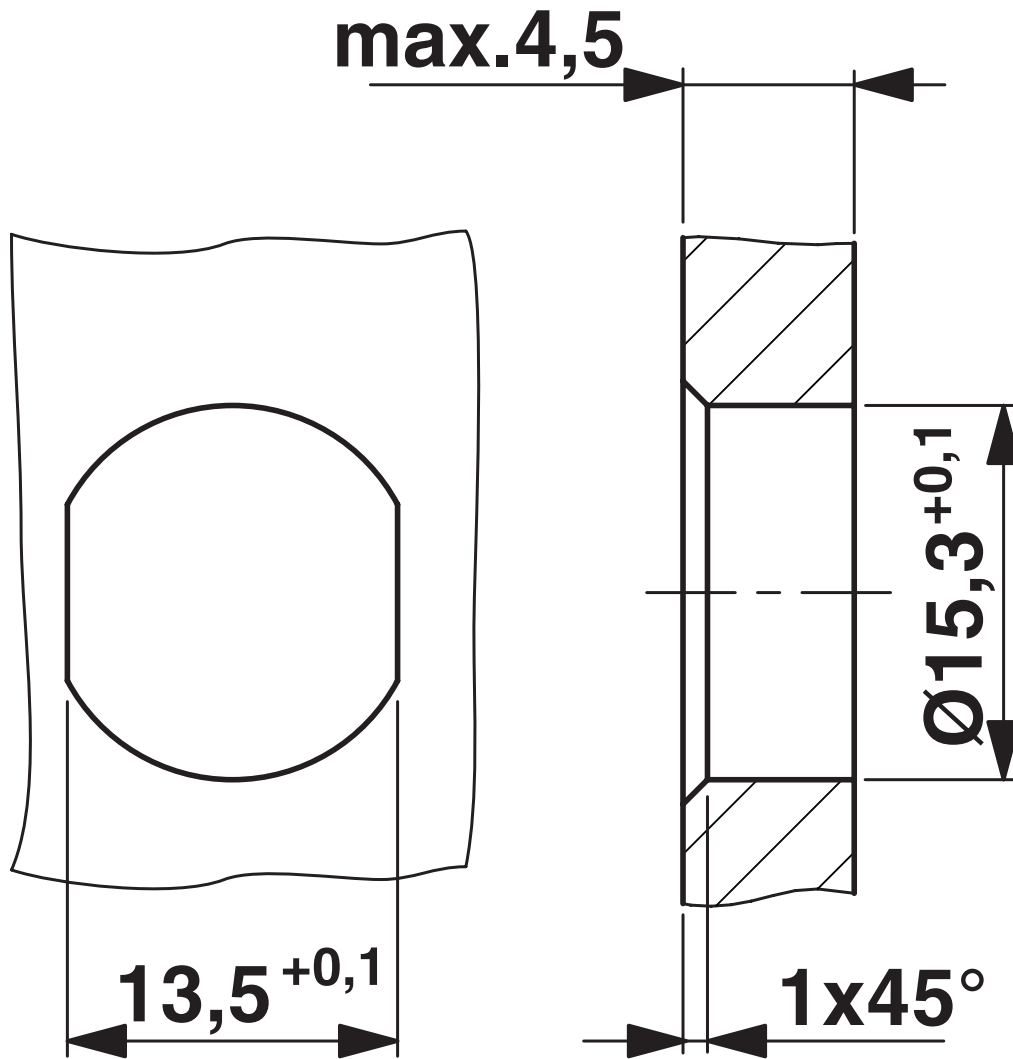
Flush-type connector - SACC-DSI-M12MS-4CON-L180  
VA



1404979

<https://www.phoenixcontact.com/au/products/1404979>

Dimensional drawing



Mounting cutout with polarization for Pg9 thread

# Flush-type connector - SACC-DSI-M12MS-4CON-L180 VA





1404979


<https://www.phoenixcontact.com/au/products/1404979>

## Approvals

 <b>cUL Recognized</b> Approval ID: FILE E 118976				
	Nominal Voltage $U_N$	Nominal Current $I_N$	Cross Section AWG	Cross Section $\text{mm}^2$
	250 V	4 A	- 22	-

 <b>UL Recognized</b> Approval ID: FILE E 118976				
	Nominal Voltage $U_N$	Nominal Current $I_N$	Cross Section AWG	Cross Section $\text{mm}^2$
	250 V	4 A	- 22	-

 <b>EAC</b> Approval ID: B.01687				
--	--	--	--	--

 <b>cULus Recognized</b> Approval ID: E221474-20140616				
	Nominal Voltage $U_N$	Nominal Current $I_N$	Cross Section AWG	Cross Section $\text{mm}^2$
	250 V	4 A	22 - 20	-

<b>cULus Recognized</b>				
-------------------------	--	--	--	--

# Flush-type connector - SACC-DSI-M12MS-4CON-L180 VA



1404979

<https://www.phoenixcontact.com/au/products/1404979>

## Classifications

### ECLASS

ECLASS-9.0	27440102
ECLASS-10.0.1	27440102
ECLASS-11.0	27440102

### ETIM

ETIM 8.0	EC002635
----------	----------

### UNSPSC

UNSPSC 21.0	39121400
-------------	----------

# Flush-type connector - SACC-DSI-M12MS-4CON-L180 VA



1404979

<https://www.phoenixcontact.com/au/products/1404979>

## Environmental Product Compliance

REACH SVHC	Lead 7439-92-1
China RoHS	Environmentally Friendly Use Period = 50 years
	For information on hazardous substances, refer to the manufacturer's declaration available under "Downloads"

# Flush-type connector - SACC-DSI-M12MS-4CON-L180 VA



1404979

<https://www.phoenixcontact.com/au/products/1404979>

## Accessories

### Flat gasket

Flat gasket - SACC-PG9-SEAL CLM - 1556320

<https://www.phoenixcontact.com/au/products/1556320>

Pg9 flat gasket, for M12 flush-type connectors with Pg9 fastening thread



---

### Sealing cap

Sealing cap - PROT-M12 FS - 1560251

<https://www.phoenixcontact.com/au/products/1560251>

M12 sealing cap for unoccupied M12 plugs of the sensor/actuator cable, flush-type plugs and I/O devices in the field



# Flush-type connector - SACC-DSI-M12MS-4CON-L180 VA



1404979

<https://www.phoenixcontact.com/au/products/1404979>

## Sealing cap

Sealing cap - PROT-M12 FS-M - 1430488

<https://www.phoenixcontact.com/au/products/1430488>



M12 metal sealing cap for unoccupied M12 plugs of the sensor/actuator cable, flush-type plugs and I/O devices in the field

---

Phoenix Contact 2022 © - all rights reserved

<https://www.phoenixcontact.com>

PHOENIX CONTACT PTY Ltd

Unit 7, 2-8 South Street

Rydalmere NSW 2116

1300 786 411

[customerservice@phoenixcontact.com.au](mailto:customerservice@phoenixcontact.com.au)