

# Protective cap - QPD PSK 5X2,5

1404529

<https://www.phoenixcontact.com/pc/products/1404529>

Please be informed that the data shown in this PDF document is generated from our Online Catalog. Please find the complete data in the user documentation. Our General Terms of Use for Downloads are valid.

Protective cap, transparent plastic, for 5 x 2.5 mm<sup>2</sup> QPD connector, IP50.



## Commercial Data

Item number	1404529
Packing unit	10 pc
Minimum order quantity	1 pc
Product Key	BF6ZWX
Catalog Page	Page 488 (C-2-2019)
GTIN	4046356698719
Weight per Piece (including packing)	3.73 g
Weight per Piece (excluding packing)	3.73 g
Customs tariff number	39235090
Country of origin	DE

# Protective cap - QPD PSK 5X2,5

1404529

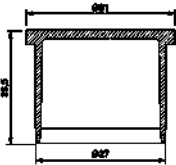
<https://www.phoenixcontact.com/pc/products/1404529>

## Technical Data

### Product properties

Type	QPD
Product type	Protective cap
Seal present	no
Locking type	without
Series	QPD

### Dimensions

Dimensional drawing	
Width	31 mm
Height	23.5 mm
Length	31 mm

### Material specifications

Color	transparent
Material	Plastic
Flammability rating according to UL 94	V0
Material, protective cover	Plastic

### Environmental and real-life conditions

#### Ambient conditions

Degree of protection	IP50
	IP50
Ambient temperature (operation)	-40 °C ... 80 °C
Ambient temperature (storage/transport)	-40 °C ... 80 °C

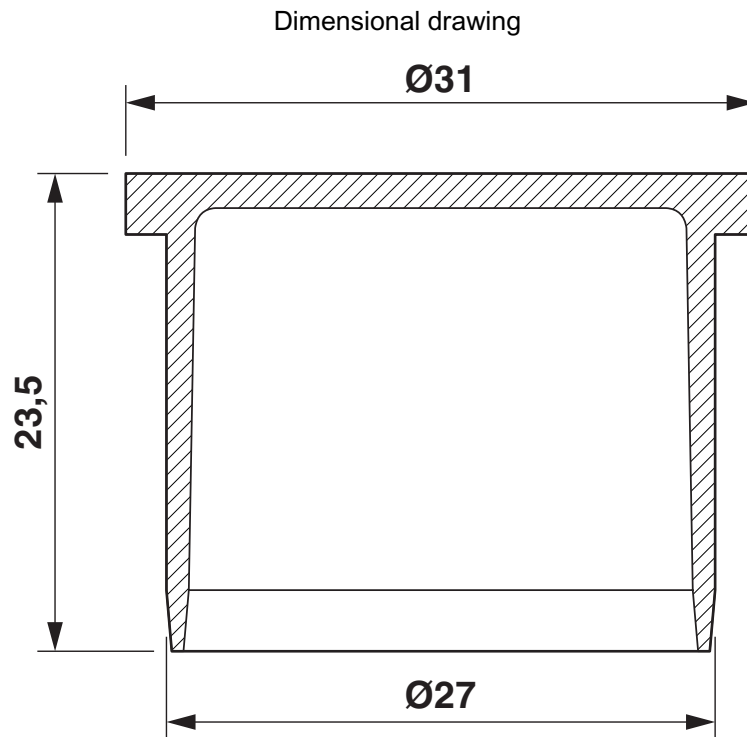
# Protective cap - QPD PSK 5X2,5

1404529

<https://www.phoenixcontact.com/pc/products/1404529>



## Drawings



# Protective cap - QPD PSK 5X2,5

1404529

<https://www.phoenixcontact.com/pc/products/1404529>



## Approvals



**DNV GL**

Approval ID: TAE00003J5

# Protective cap - QPD PSK 5X2,5



1404529

<https://www.phoenixcontact.com/pc/products/1404529>

## Classifications

### ECLASS

ECLASS-9.0	27440208
ECLASS-10.0.1	27440208
ECLASS-11.0	27440208

### ETIM

ETIM 8.0	EC002314
----------	----------

### UNSPSC

UNSPSC 21.0	39121400
-------------	----------

# Protective cap - QPD PSK 5X2,5



1404529

<https://www.phoenixcontact.com/pc/products/1404529>

## Environmental Product Compliance

China RoHS	Environmentally friendly use period: unlimited = EFUP-e No hazardous substances above threshold values
------------	---

Phoenix Contact 2022 © - all rights reserved  
<https://www.phoenixcontact.com>

PHOENIX CONTACT GmbH & Co. KG  
Flachmarktstraße 8  
D-32825 Blomberg  
+49 (0) 5235-3 00  
[info@phoenixcontact.com](mailto:info@phoenixcontact.com)