

# Front plate - SI-FP-R1A-D1A



1404496

<https://www.phoenixcontact.com/pc/products/1404496>

Please be informed that the data shown in this PDF document is generated from our Online Catalog. Please find the complete data in the user documentation. Our General Terms of Use for Downloads are valid.

Front plate with contact inserts, plastic with shroud, 1 x RJ45, 8-pos. metal, CAT5e (socket/socket); 1 x 9-pos. D-SUB (socket/socket)



## Commercial Data

Item number	1404496
Packing unit	1 pc
Minimum order quantity	1 pc
Product Key	BF7EDX
Catalog Page	Page 709 (C-2-2019)
GTIN	4046356698399
Weight per Piece (including packing)	48.2 g
Weight per Piece (excluding packing)	48.2 g
Customs tariff number	85366990
Country of origin	DE

# Front plate - SI-FP-R1A-D1A

1404496

<https://www.phoenixcontact.com/pc/products/1404496>

## Technical Data

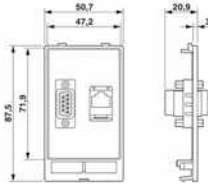
### Product properties

Product type	Data front plate
Shielded	yes

### Electrical properties

Rated voltage (III/3)	48 V AC/DC (D-SUB 9)
	max. 42.4 V DC (D-SUB 9, RJ45, UL rating)
	max. 30 V AC (D-SUB 9, RJ45, UL rating)
Rated current	3 A (D-SUB 9)
	max. 175 mA (RJ45, D-SUB 9, UL rating)

### Dimensions

Dimensional drawing	
Width	50.7 mm
Height	87.5 mm
Depth	21 mm

### Material specifications

Color	gray
Material	PBT (Front plate)

### Connector

Contact insert design	with 1x D-SUB 9 Socket/socket, slot locking UNC 4...40 bolts
	with 1x RJ45 Socket/socket, snap-in slot locking

### Environmental and real-life conditions

#### Ambient conditions

Degree of protection	IP20
Ambient temperature (operation)	-10 °C ... 60 °C

### Mounting

Assembly instructions	suitable for all mounting frames
-----------------------	----------------------------------

# Front plate - SI-FP-R1A-D1A

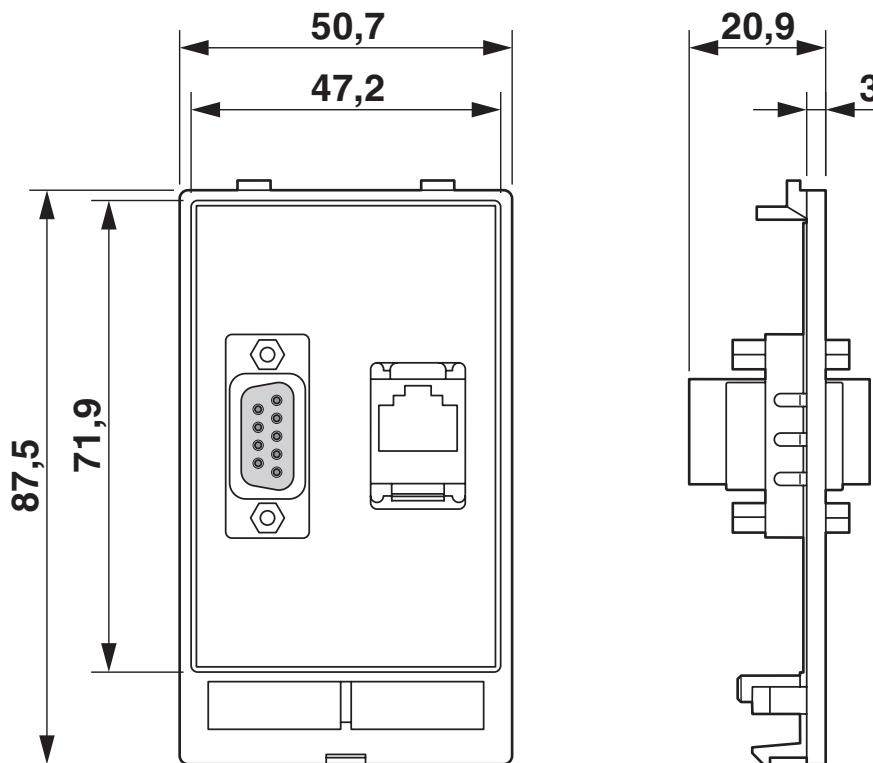
1404496

<https://www.phoenixcontact.com/pc/products/1404496>



## Drawings

Dimensional drawing



Dimensional drawing

# Front plate - SI-FP-R1A-D1A



1404496

<https://www.phoenixcontact.com/pc/products/1404496>

## Approvals



**cUL Recognized**

Approval ID: FILE E 238705



**UL Recognized**

Approval ID: FILE E 238705



**EAC**

Approval ID: RU C-DE.A\*30.B.01102

**cULus Recognized**

# Front plate - SI-FP-R1A-D1A



1404496

<https://www.phoenixcontact.com/pc/products/1404496>

## Classifications

### ECLASS

ECLASS-9.0	27189217
ECLASS-10.0.1	27182806
ECLASS-11.0	27182806

### ETIM

ETIM 8.0	EC000456
----------	----------

### UNSPSC

UNSPSC 21.0	39121300
-------------	----------

# Front plate - SI-FP-R1A-D1A

1404496

<https://www.phoenixcontact.com/pc/products/1404496>



## Environmental Product Compliance

REACH SVHC	Lead 7439-92-1
China RoHS	Environmentally Friendly Use Period = 50 years
	For information on hazardous substances, refer to the manufacturer's declaration available under "Downloads"

# Front plate - SI-FP-R1A-D1A

1404496

<https://www.phoenixcontact.com/pc/products/1404496>



## Accessories

### Snap-in markers

Snap-in markers - UCT-EM (20X7) - 0801494

<https://www.phoenixcontact.com/pc/products/0801494>



Snap-in markers, Sheet, white, unlabeled, can be labeled with: TOPMARK NEO, TOPMARK LASER, BLUEMARK ID COLOR, BLUEMARK ID, BLUEMARK CLED, THERMOMARK PRIME, THERMOMARK CARD 2.0, THERMOMARK CARD, mounting type: snapped, lettering field size: 20 x 7 mm, Number of individual labels: 24

---

Phoenix Contact 2023 © - all rights reserved  
<https://www.phoenixcontact.com>

PHOENIX CONTACT GmbH & Co. KG  
Flachsmarktstraße 8  
D-32825 Blomberg  
+49 (0) 5235-3 00  
[info@phoenixcontact.com](mailto:info@phoenixcontact.com)