

# Mounting frame - SI-M1B



1404494

<https://www.phoenixcontact.com/pc/products/1404494>

Please be informed that the data shown in this PDF document is generated from our Online Catalog. Please find the complete data in the user documentation. Our General Terms of Use for Downloads are valid.

Mounting frame for two front plates/sockets, plastic frame: black, plastic cover: transparent, closed with 3 mm two-way key bit and rotary knob, included.



## Commercial Data

Item number	1404494
Packing unit	1 pc
Minimum order quantity	1 pc
Product Key	BF7EAX
Catalog Page	Page 708 (C-2-2019)
GTIN	4046356698375
Weight per Piece (including packing)	194 g
Weight per Piece (excluding packing)	194 g
Customs tariff number	39269097
Country of origin	DE

# Mounting frame - SI-M1B

1404494

<https://www.phoenixcontact.com/pc/products/1404494>

## Technical Data

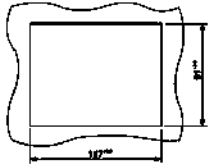
### Notes

Note on application	with enclosed rotary knob
---------------------	---------------------------

### Product properties

Product type	Mounting frame
Type	for 2 front plates

### Dimensions

Dimensional drawing	
Width	131 mm
Depth	34.5 mm
Length	127 mm

### Installation dimensions

Width of the assembly cutout	117 mm
Length of the assembly cutout	91 mm

### Material specifications

Color	transparent
Flammability rating according to UL 94	V0
Housing material	PBT

### Environmental and real-life conditions

#### Ambient conditions

Degree of protection	IP65
Ambient temperature (operation)	-30 °C ... 70 °C
Ambient temperature (storage/transport)	-30 °C ... 80 °C

### Mounting

Assembly instructions	Suitable for panel thicknesses 1 mm ... 5 mm
-----------------------	--

# Mounting frame - SI-M1B

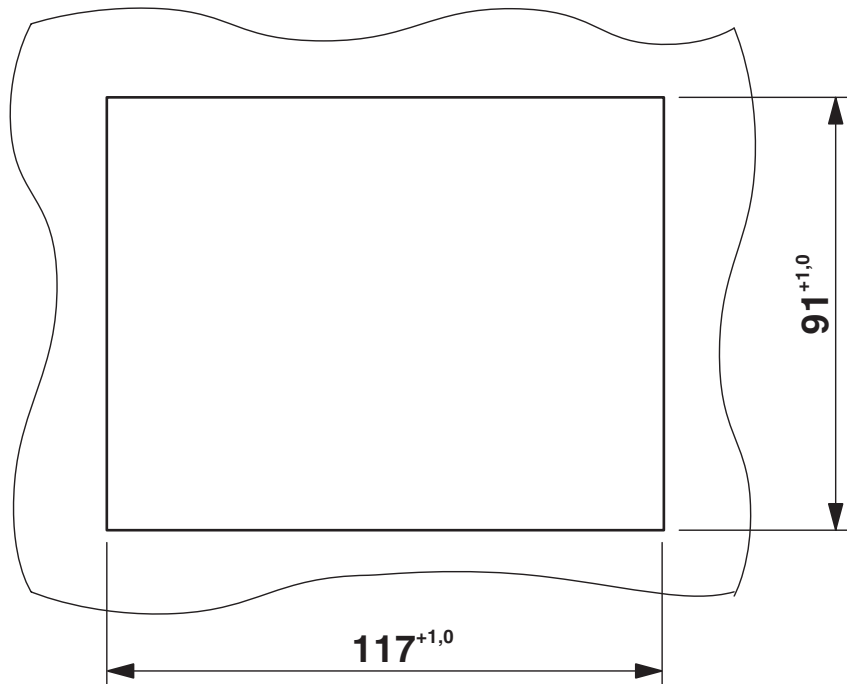
1404494

<https://www.phoenixcontact.com/pc/products/1404494>



## Drawings

Dimensional drawing



## Mounting cutout

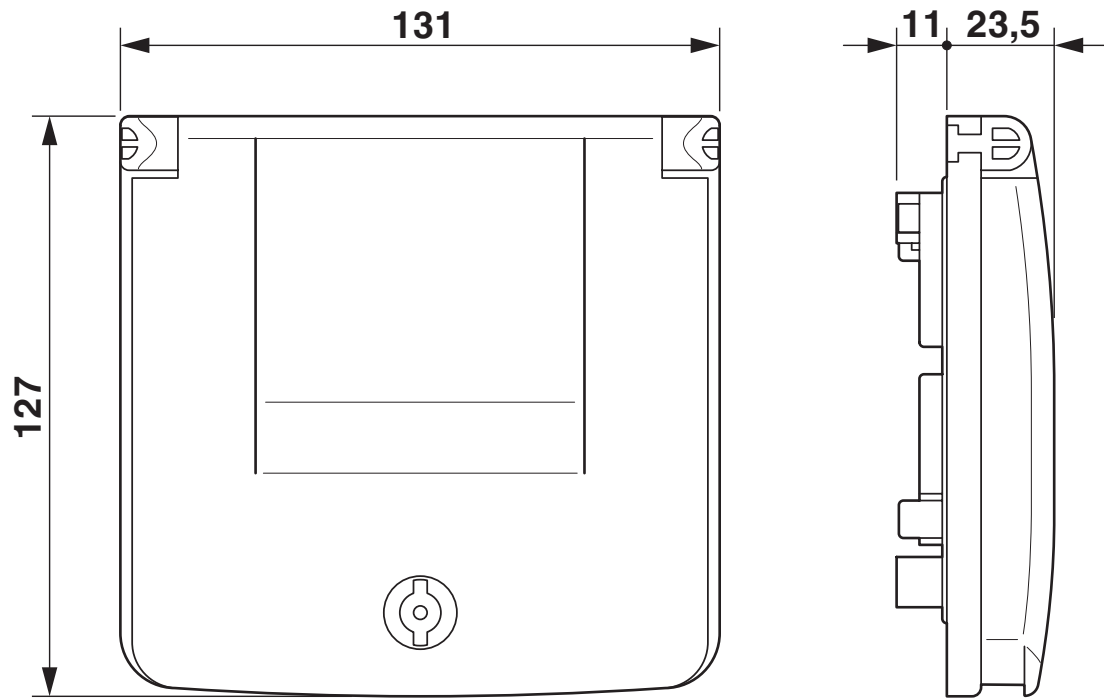
# Mounting frame - SI-M1B

1404494

<https://www.phoenixcontact.com/pc/products/1404494>



Dimensional drawing



Dimensional drawing

# Mounting frame - SI-M1B



1404494

<https://www.phoenixcontact.com/pc/products/1404494>

## Approvals



**cUL Recognized**  
Approval ID: E255026



**UL Recognized**  
Approval ID: E255026



**EAC**  
Approval ID: RU C-DE.A\*30.B.01102

**cULus Recognized**

# Mounting frame - SI-M1B



1404494

<https://www.phoenixcontact.com/pc/products/1404494>

## Classifications

### ECLASS

ECLASS-9.0	27189217
ECLASS-10.0.1	27182806
ECLASS-11.0	27182702

### ETIM

ETIM 8.0	EC001031
----------	----------

### UNSPSC

UNSPSC 21.0	31261500
-------------	----------

# Mounting frame - SI-M1B

1404494

<https://www.phoenixcontact.com/pc/products/1404494>



## Environmental Product Compliance

China RoHS

Environmentally Friendly Use Period = 50 years

For information on hazardous substances, refer to the manufacturer's declaration available under "Downloads"

# Mounting frame - SI-M1B

1404494

<https://www.phoenixcontact.com/pc/products/1404494>

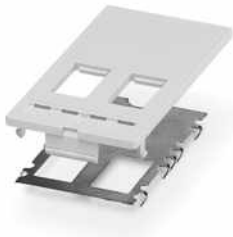


## Accessories

### Front plate

Front plate - VS-SI-FP-2RJ-MOD - 1656631

<https://www.phoenixcontact.com/pc/products/1656631>



Front plate, plastic with shroud, for 2x RJ with modular system (Keystone)

---

### Front plate

Front plate - VS-SI-FP-2DSUB9 - 1656563

<https://www.phoenixcontact.com/pc/products/1656563>



Data front plate, plastic, for 2 x 9-pos. D-SUB, item 1656961 may be required for mounting D-SUB inserts

# Mounting frame - SI-M1B

1404494

<https://www.phoenixcontact.com/pc/products/1404494>



## Front plate

Front plate - VS-SI-FP-DSUB9-DSUB25 - 1656589

<https://www.phoenixcontact.com/pc/products/1656589>



Data front plate, plastic, for 1 x 9-pos. D-SUB and 1 x 25-pos. D-SUB, item 1656961 may be required for mounting D-SUB inserts

---

## Front plate

Front plate - VS-SI-FP-BP - 1656657

<https://www.phoenixcontact.com/pc/products/1656657>



Front plate, material: PBT

# Mounting frame - SI-M1B

1404494

<https://www.phoenixcontact.com/pc/products/1404494>



## Front plate

Front plate - VS-SI-FP-2F - 1658532

<https://www.phoenixcontact.com/pc/products/1658532>

Front plate, plastic, with two Freenet slots



---

Phoenix Contact 2023 © - all rights reserved

<https://www.phoenixcontact.com>

PHOENIX CONTACT GmbH & Co. KG

Flachsmarktstraße 8

D-32825 Blomberg

+49 (0) 5235-3 00

[info@phoenixcontact.com](mailto:info@phoenixcontact.com)