

Connector - SACC-M12MR-12SOL-PG 9-M



1404421

<https://www.phoenixcontact.com/in/products/1404421>

Please be informed that the data shown in this PDF document is generated from our Online Catalog. Please find the complete data in the user documentation. Our General Terms of Use for Downloads are valid.

Connector, Universal, 12-position, Plug angled M12, Coding: A, Solder connection, knurl material: Zinc die-cast, nickel-plated, cable gland Pg9, external cable diameter 6 mm ... 8 mm



Your advantages

- Safe use in the field, thanks to a high degree of protection
- Save space – with high-pos. connectors

Connector - SACC-M12MR-12SOL-PG 9-M



1404421

<https://www.phoenixcontact.com/in/products/1404421>

Commercial Data

Item number	1404421
Packing unit	1 pc
Minimum order quantity	1 pc
Sales Key	BF2
Product Key	BF2CGA
Catalog Page	Page 26 (C-2-2019)
GTIN	4046356694537
Weight per Piece (including packing)	20.72 g
Weight per Piece (excluding packing)	20 g
Customs tariff number	85366990
Country of origin	DE

1404421

<https://www.phoenixcontact.com/in/products/1404421>

Technical Data

Notes

Assembly instruction:

NOTE: Observe the permissible bending radii when laying conductors, since the degree of protection may be put in jeopardy if the bending forces are too high. Alleviate mechanical loads upstream of the connector, e.g. by using cable ties.

Product properties

Product type	Circular connector (cable-side)
Number of positions	12
No. of cable outlets	1
Shielded	no
Coding	A - standard
Cable outlet	angled
Pg screw connection	Pg9

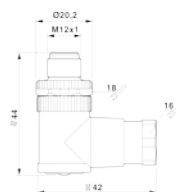
Insulation characteristics

Overvoltage category	II
Degree of pollution	3

Ambient conditions

Degree of protection	IP67
Ambient temperature (operation)	-40 °C ... 85 °C (Plug / socket)

Dimensions

Dimensional drawing	
Width	20.2 mm
Height	42 mm
Length	44 mm

External dimensions

Outside diameter	6 mm ... 8 mm
------------------	---------------

Housing

Diameter housing	20.2 mm
------------------	---------

Connector

Insertion/withdrawal cycles	≥ 100
-----------------------------	-------

Connector - SACC-M12MR-12SOL-PG 9-M



1404421

<https://www.phoenixcontact.com/in/products/1404421>

Header 1

Head design	Plug
Head cable outlet	angled
Head thread type	M12
Coding	A-coded

Electrical properties

Rated surge voltage	0.5 kV
Contact resistance	≤ 3 mΩ
Insulation resistance	> 10 GΩ
Nominal voltage U _N	30 V AC 30 V DC
Nominal current I _N	1.5 A (up to 40 °C)

Material specifications

Color Handle area	black
Flammability rating according to UL 94	HB
Sealing material	NBR
Material of grip body	PA
Contact material	CuZn
Contact surface material	Au
Contact carrier material	PA
Cable gland material	Zinc die-cast, nickel-plated

Connection data

Conductor connection

Connection method	Solder connection
Connection cross section	0.08 mm ² ... 0.25 mm ² (without ferrule) 0.08 mm ² ... 0.25 mm ² (without ferrule)
Connection cross section AWG	28 ... 24 (without ferrule)
Tightening torque	0.4 Nm (M12 knurl) 0.8 Nm ... 1 Nm (Pressure nut with coupling sleeve)

Mounting

Assembly instructions	The connector pin assignment can be rotated 90° to the cable outlet
-----------------------	---

Standards and regulations

Standards/specifications	IEC 61076-2-101
--------------------------	-----------------

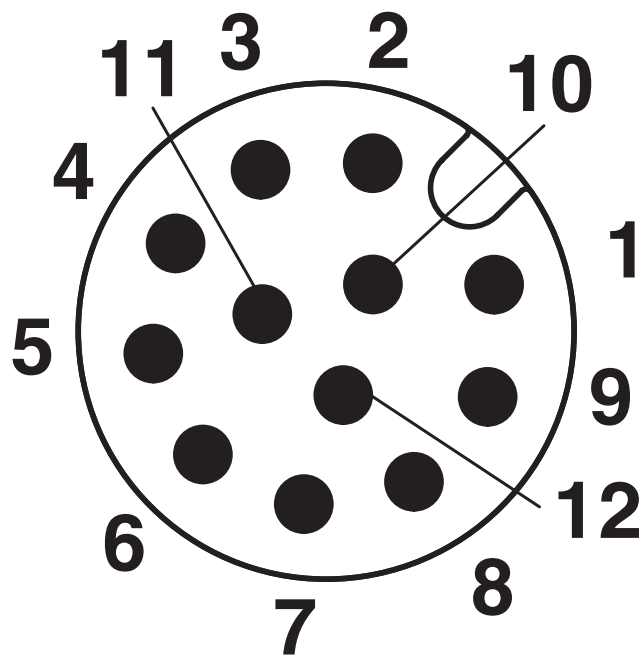
Cable / line

Cable structure

Signal type/category	Universal
Stripping length of the individual wire	4 mm

Drawings

Schematic diagram



Pin assignment of M12 male connector, 12-pos., A-coded, view of pin side

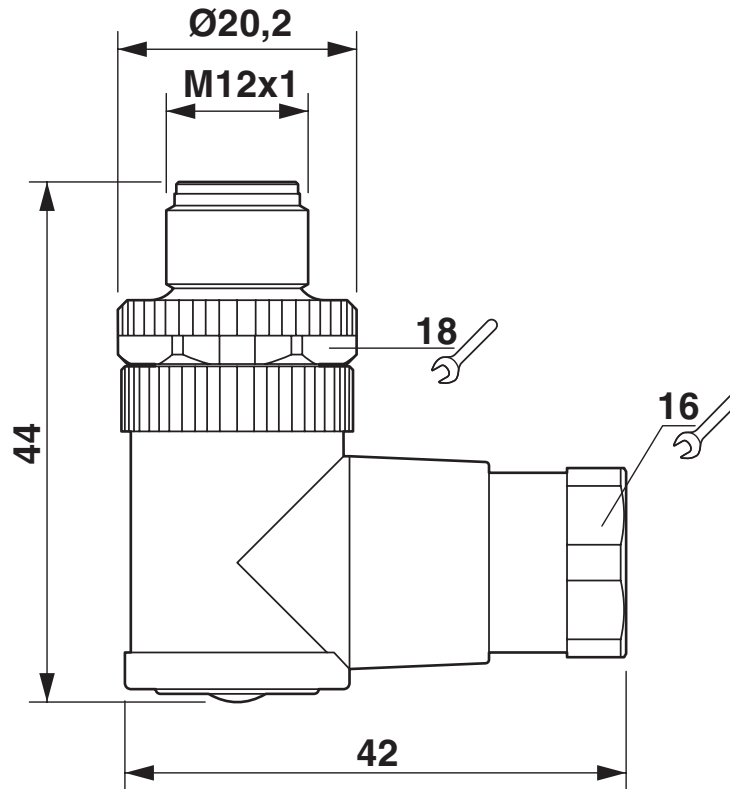
Connector - SACC-M12MR-12SOL-PG 9-M

1404421

<https://www.phoenixcontact.com/in/products/1404421>



Dimensional drawing



M12 x 1 male plug, angled

Connector - SACC-M12MR-12SOL-PG 9-M




1404421

<https://www.phoenixcontact.com/in/products/1404421>

Approvals

 cUL Recognized Approval ID: FILE E 221474				
	Nominal Voltage U_N	Nominal Current I_N	Cross Section AWG	Cross Section mm^2
	30 V	1 A	-	-

 UL Recognized Approval ID: FILE E 221474				
	Nominal Voltage U_N	Nominal Current I_N	Cross Section AWG	Cross Section mm^2
	30 V	1 A	-	-

cULus Recognized

Connector - SACC-M12MR-12SOL-PG 9-M



1404421

<https://www.phoenixcontact.com/in/products/1404421>

Classifications

ECLASS

ECLASS-9.0	27440102
ECLASS-10.0.1	27440102
ECLASS-11.0	27440102

ETIM

ETIM 8.0	EC002635
----------	----------

UNSPSC

UNSPSC 21.0	39121400
-------------	----------

Connector - SACC-M12MR-12SOL-PG 9-M



1404421

<https://www.phoenixcontact.com/in/products/1404421>

Environmental Product Compliance

REACH SVHC	Lead 7439-92-1
China RoHS	Environmentally Friendly Use Period = 50 years
	For information on hazardous substances, refer to the manufacturer's declaration available under "Downloads"

Connector - SACC-M12MR-12SOL-PG 9-M



1404421

<https://www.phoenixcontact.com/in/products/1404421>

Accessories

Torque screwdriver

Torque screwdriver - TSD 04 SAC - 1208429

<https://www.phoenixcontact.com/in/products/1208429>



Torque screwdriver, with preset torque of 0.4 Nm and 4 mm hexagonal drive for M12 connectors

Tool

Tool - SACC BIT M12-D20 - 1208445

<https://www.phoenixcontact.com/in/products/1208445>



Nut for assembling M12 connectors for assembly with a knurl diameter of 20 mm, for 4 mm hexagonal drive

Connector - SACC-M12MR-12SOL-PG 9-M



1404421

<https://www.phoenixcontact.com/in/products/1404421>

Torque screwdriver

Torque screwdriver - TSD-M 1,2NM - 1212224

<https://www.phoenixcontact.com/in/products/1212224>



Torque screw driver, accuracy as per EN ISO 6789 standard, adjustable from 0.3 - 1.2 Nm

Adapter insert

Adapter insert - TSD-M SAC-BIT ADAPTER - 1212600

<https://www.phoenixcontact.com/in/products/1212600>



Adapter bit for TSD-M...torque tools, E6.3-1/4" drive with 4 mm hexagon to accommodate SAC bits

Connector - SACC-M12MR-12SOL-PG 9-M



1404421

<https://www.phoenixcontact.com/in/products/1404421>

Sealing cap

Sealing cap - PROT-M12 FS-PA-CHAIN - 1430873

<https://www.phoenixcontact.com/in/products/1430873>

M12 sealing cap made of plastic with fixing band, for sensor cables, for free M12 plugs



Stripping tool

Stripping tool - WIREFOX SAC - 1212623

<https://www.phoenixcontact.com/in/products/1212623>

Stripping pliers, for halogen-free sensor/actuator cables (SAC cables), with PUR and PVC insulation, from Ø of 4.4 to 7 mm, any stripping length



Phoenix Contact 2022 © - all rights reserved

<https://www.phoenixcontact.com>

PHOENIX CONTACT (I) Pvt. Ltd.

A-58/2, Okhla Industrial Area, Phase - II, New Delhi-110 020

+91.1275.71420

info@phoenixcontact.co.in