

Cable - VS-M12FSBPS-IP20-93B/0,5



1404367

<https://www.phoenixcontact.com/pc/products/1404367>

Please be informed that the data shown in this PDF document is generated from our Online Catalog. Please find the complete data in the user documentation. Our General Terms of Use for Downloads are valid.



Assembled PROFINET cable, type B, CAT5e, shielded, star quad, AWG 22 stranded (7-wire), RAL 6018 (yellow-green), panel feed-through, M12, 4 pos., D-coded on RJ45 connector, length: 0.5 m

Commercial Data

Item number	1404367
Packing unit	1 pc
Minimum order quantity	1 pc
Product Key	ABNGAA
GTIN	4046356692366
Weight per Piece (including packing)	72.1 g
Weight per Piece (excluding packing)	68.2 g
Customs tariff number	85444290
Country of origin	PL

Technical Data

Notes

General	This product corresponds to the PROFINET Cabling and Interconnection Technology Guideline for PROFINET regulations, version 2.00, order no: 2.252, Chapter 10.1 Cord Sets for Balanced Cabling
---------	--

Product properties

Product type	Data cable preassembled
Number of positions	4
Locking type	Locking clips
Shielded	yes

Insulation characteristics

Overvoltage category	I
Degree of pollution	1

Electrical properties

Rated voltage (III/2)	50 V
Rated voltage (III/3)	50 V
Nominal voltage U_N	48 V
Transmission medium	Copper

Material specifications

Flammability rating according to UL 94	V2
Seal material, flat gasket	FKM / FPM
Housing material	CuZn/PA

Connector

Insertion/withdrawal cycles	≥ 100
-----------------------------	------------

Connection 1

Degree of protection	IP67
----------------------	------

Cable / line

Cable length	0.50 m
Cable weight	67.00 kg/km
Cable type	Star quad
Cable structure	1x4xAWG22/7; SF-UTP
External cable diameter	6.50 mm
Outer sheath, material	PVC
External sheath, color	green-yellow RAL 6018
Conductor material	Tin-plated Cu litz wires
Wire diameter incl. insulation	1.5 mm
Twisted pairs	no

Cable - VS-M12FSBPS-IP20-93B/0,5



1404367

<https://www.phoenixcontact.com/pc/products/1404367>

Type of pair shielding	none
Overall twist	Star quad
Shielding	Aluminum foil
Test voltage Core/Core	2 kV AC (1 min.)
Test voltage Core/Shield	2 kV AC (1 min.)
Test voltage, cable	2 kV AC (1 min.)
Conductor resistance	≤ 120 Ω/km
Wave impedance	100 Ω ±15 % (at 1 ... 100 MHz)
Smallest bending radius, fixed installation	52 mm
Smallest bending radius, movable installation	52 mm
Smallest bending radius, fixed installation	52 mm
Smallest bending radius, movable installation	52 mm
Flame resistance	according to UL 1685 (CSA FT 4)

Ambient conditions

Degree of protection	IP20
Degree of protection	IP20
Ambient temperature (operation)	-40 °C ... 70 °C (cable, fixed installation)
	-5 °C ... 50 °C (Cable, flexible installation)
	Plug / socket

Standards and regulations

Flame resistance	according to UL 1685 (CSA FT 4)
------------------	---------------------------------

Cable - VS-M12FSBPS-IP20-93B/0,5

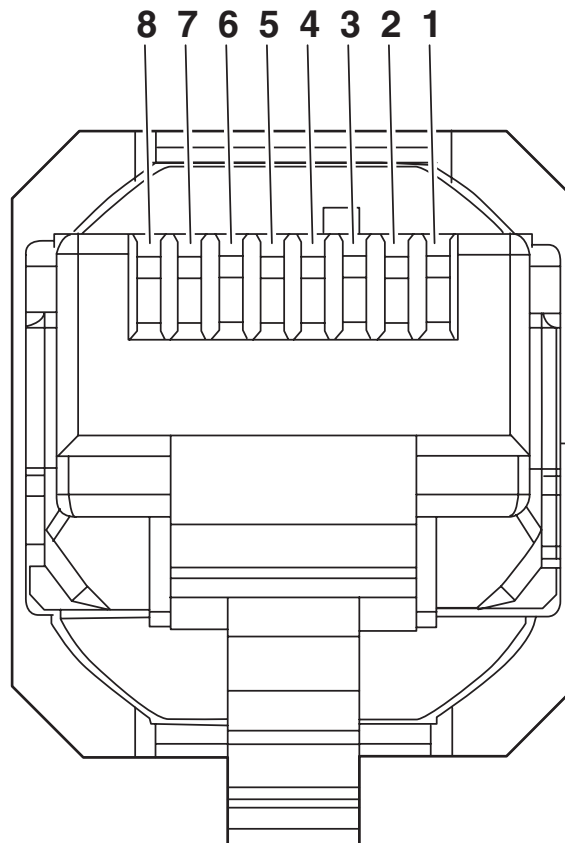
1404367

<https://www.phoenixcontact.com/pc/products/1404367>



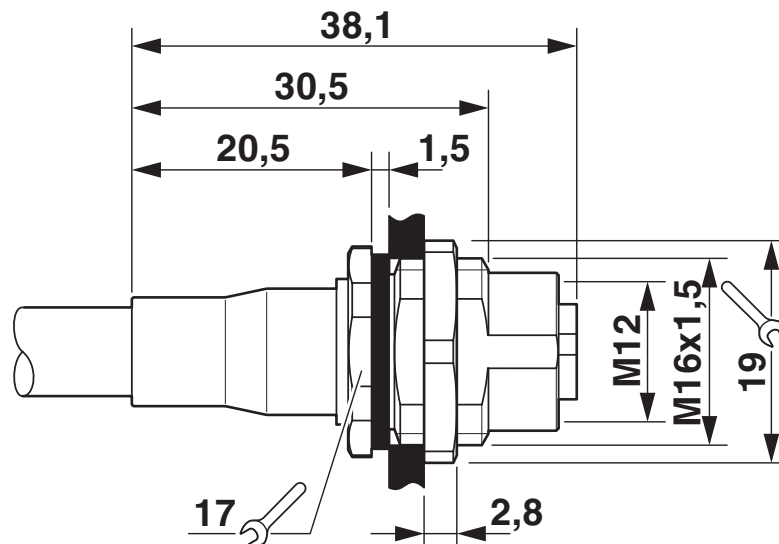
Drawings

Schematic diagram



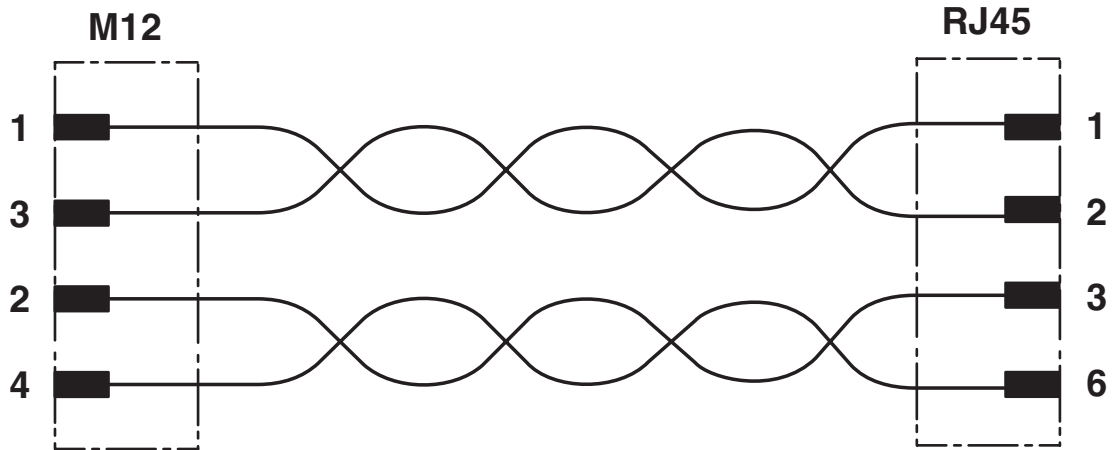
Connector pin assignment plug RJ45

Dimensional drawing

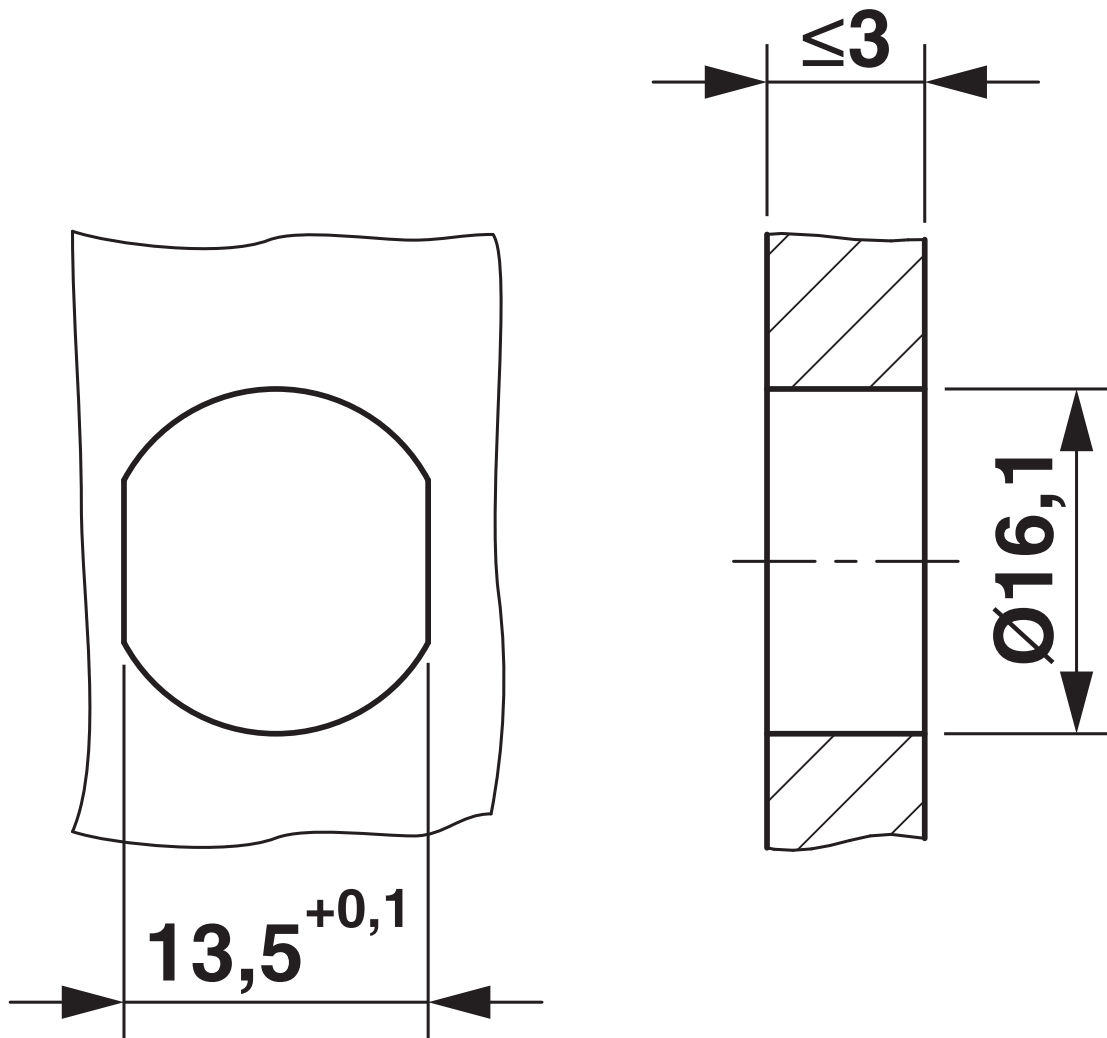


M12 flush-type connector

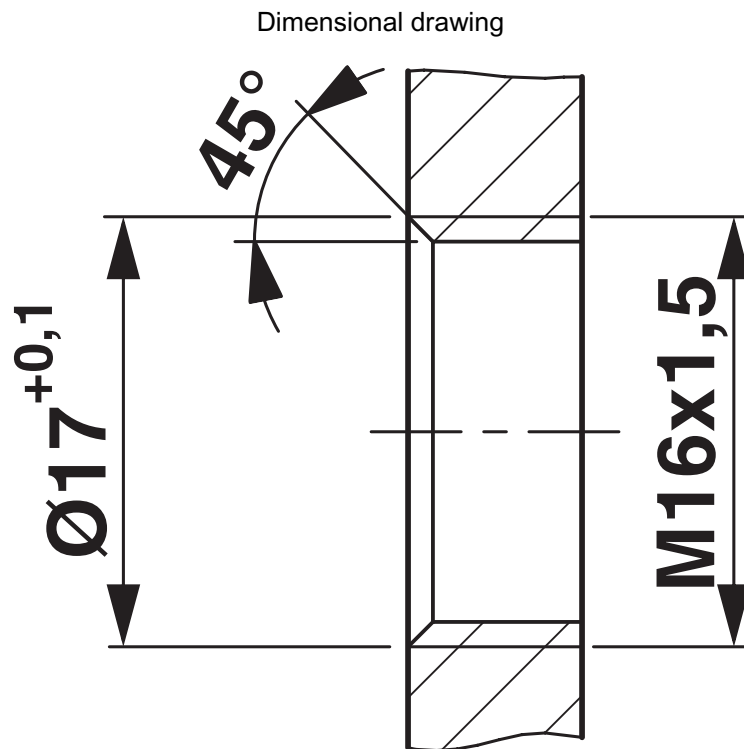
Circuit diagram



Dimensional drawing

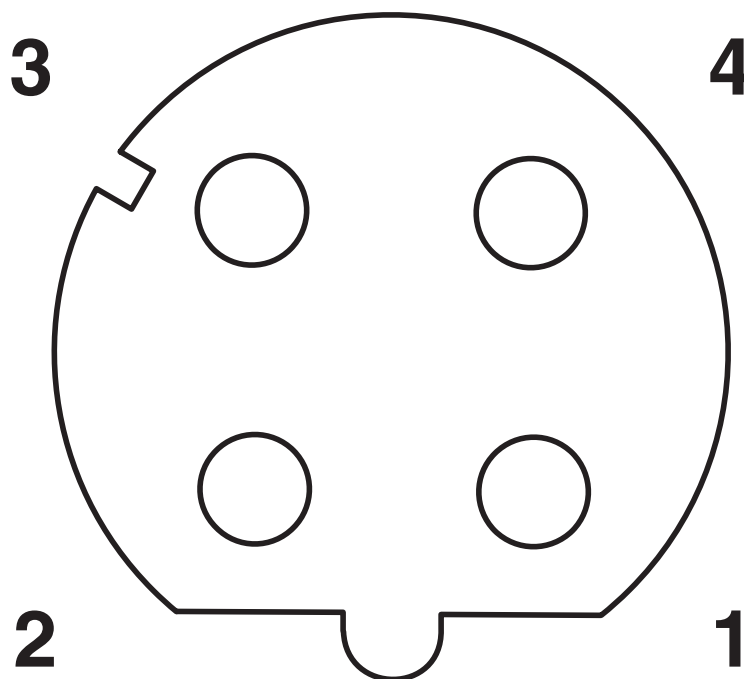


Mounting panel with feed-through hole



Mounting panel with thread

Schematic diagram



Pin assignment M12 socket, 4-pos., D-coded, female side

Cable - VS-M12FSBPS-IP20-93B/0,5

1404367

<https://www.phoenixcontact.com/pc/products/1404367>



Approvals



EAC

Approval ID: 19060508

Cable - VS-M12FSBPS-IP20-93B/0,5



1404367

<https://www.phoenixcontact.com/pc/products/1404367>

Classifications

ECLASS

ECLASS-9.0	27060308
ECLASS-10.0.1	27060308
ECLASS-11.0	27060308

ETIM

ETIM 8.0	EC002599
----------	----------

UNSPSC

UNSPSC 21.0	26121600
-------------	----------

Cable - VS-M12FSBPS-IP20-93B/0,5



1404367

<https://www.phoenixcontact.com/pc/products/1404367>

Environmental Product Compliance

REACH SVHC	Lead 7439-92-1
China RoHS	Environmentally Friendly Use Period = 50 years
	For information on hazardous substances, refer to the manufacturer's declaration available under "Downloads"

Phoenix Contact 2022 © - all rights reserved
<https://www.phoenixcontact.com>

PHOENIX CONTACT GmbH & Co. KG
Flachsmarktstraße 8
D-32825 Blomberg
+49 (0) 5235-3 00
info@phoenixcontact.com