

DIN rail mounting frame - HC-CIF-B24-BFWD-FH-AL



1404212

<https://www.phoenixcontact.com/pc/products/1404212>

Please be informed that the data shown in this PDF document is generated from our Online Catalog. Please find the complete data in the user documentation. Our General Terms of Use for Downloads are valid.



HEAVYCON DIN rail mounting frame, lower part with double locking latch, for sleeve housing without double locking latch or HC-CIF-.HFFD.. upper part, for type B24 contact inserts, for NS35/7,5 DIN rails

Your advantages

- Stable metal version
- Open base, pre-assembled cable harnesses can be used
- Safe capacitive PE even when connected slightly askew

DIN rail mounting frame - HC-CIF-B24-BFWD-FH-AL



1404212

<https://www.phoenixcontact.com/pc/products/1404212>

Commercial Data

Item number	1404212
Packing unit	1 pc
Minimum order quantity	1 pc
Product Key	BF7AHB
Catalog Page	Page 685 (C-2-2019)
GTIN	4046356680240
Weight per Piece (including packing)	197.82 g
Weight per Piece (excluding packing)	197.82 g
Customs tariff number	85389099
Country of origin	PL

1404212

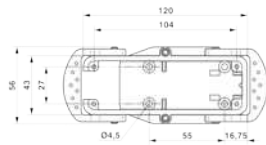
<https://www.phoenixcontact.com/pc/products/1404212>

Technical Data

Product properties

Type	For B24
Product type	DIN rail mounting frame
Locking type	with double locking latch, for screw locking mechanism

Dimensions

Dimensional drawing	
Width	56 mm
Height	85 mm
Length	120 mm

Material specifications

Material	Cast aluminum, uncoated
Material grip body interlock	PA-GF
Locking latch material	High-grade steel, handle: PA-GF

Environmental and real-life conditions

Ambient conditions

Ambient temperature (operation)	-40 °C ... 125 °C
---------------------------------	-------------------

Mounting

Mounting type	DIN rail: 35 mm
Assembly instructions	A double locking latch is not mounted, which means that an assembled cable set can be used more easily

DIN rail mounting frame - HC-CIF-B24-BFWD-FH-AL

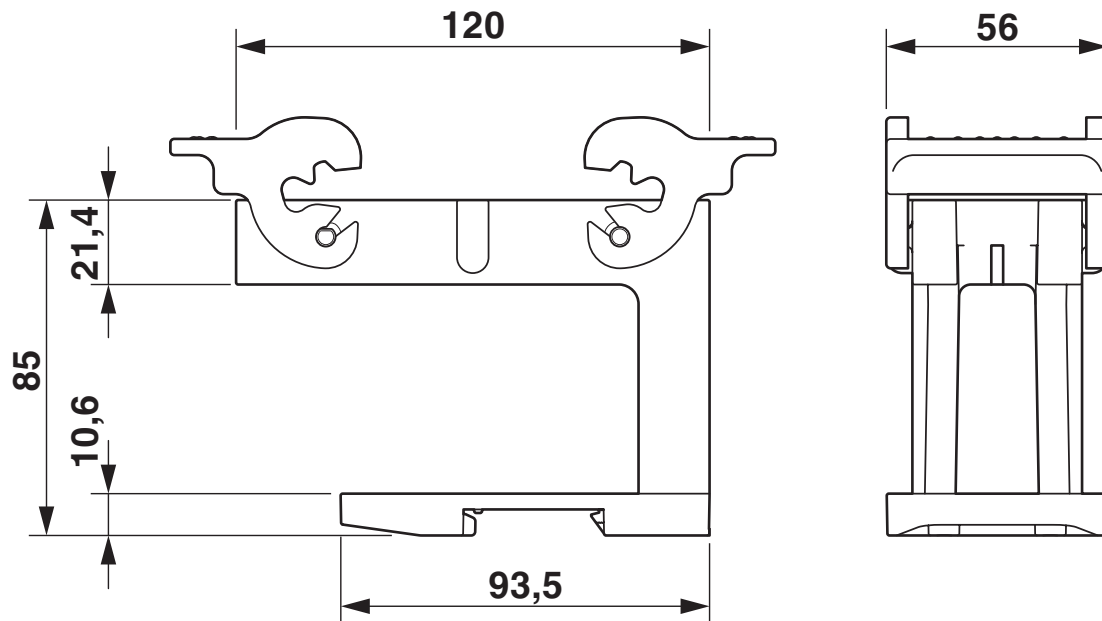


1404212

<https://www.phoenixcontact.com/pc/products/1404212>

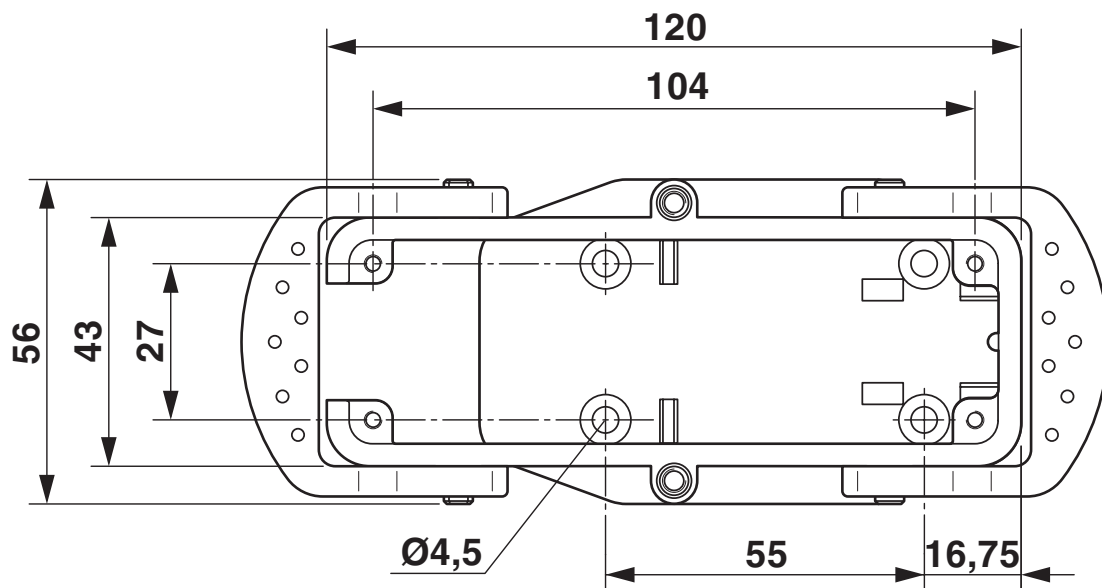
Drawings

Dimensional drawing



Dimensional drawing

Dimensional drawing



Dimensional drawing top view

DIN rail mounting frame - HC-CIF-B24-BFWD-FH-AL



1404212

<https://www.phoenixcontact.com/pc/products/1404212>

Approvals



EAC

Approval ID: RU C-DE.AI30.B.01102

1404212

<https://www.phoenixcontact.com/pc/products/1404212>

Classifications

ECLASS

ECLASS-9.0	27440210
ECLASS-10.0.1	27440210
ECLASS-11.0	27440210

ETIM

ETIM 8.0	EC002310
----------	----------

UNSPSC

UNSPSC 21.0	39121400
-------------	----------

DIN rail mounting frame - HC-CIF-B24-BFWD-FH-AL



1404212

<https://www.phoenixcontact.com/pc/products/1404212>

Environmental Product Compliance

China RoHS	Environmentally friendly use period: unlimited = EFUP-e
	No hazardous substances above threshold values

DIN rail mounting frame - HC-CIF-B24-BFWD-FH-AL



1404212

<https://www.phoenixcontact.com/pc/products/1404212>

Accessories

DIN rail mounting frame

DIN rail mounting frame - HC-CIF-B24-HFFD-WH-AL - 1404213

<https://www.phoenixcontact.com/pc/products/1404213>



HEAVYCON DIN rail mounting frame, upper part for double locking latch, for HC-CIF...BFWD.. lower parts with double locking latch or for HC-CIF...BFFD.. lower parts, for type B24 contact inserts, with M4 screws with 3 mm Allen screw head, for NS35/7,5 DIN rails

Phoenix Contact 2022 © - all rights reserved
<https://www.phoenixcontact.com>

PHOENIX CONTACT GmbH & Co. KG
Flachsmarktstraße 8
D-32825 Blomberg
+49 (0) 5235-3 00
info@phoenixcontact.com