

Sensor/actuator cable - SAC-8P-M 8MR/ 3,0-PUR



1404186

<https://www.phoenixcontact.com/pc/products/1404186>

Please be informed that the data shown in this PDF document is generated from our Online Catalog. Please find the complete data in the user documentation. Our General Terms of Use for Downloads are valid.



Sensor/actuator cable, 8-position, PUR halogen-free, black-gray RAL 7021, Plug angled M8, on free cable end, cable length: 3 m

Your advantages

- Easy and safe: 100% electrically tested plug-in components
- Save space – with high-pos. connectors

Commercial Data

Item number	1404186
Packing unit	1 pc
Minimum order quantity	1 pc
Note	Made to Order (non-returnable)
Product Key	BF1BGA
Catalog Page	Page 207 (C-2-2019)
GTIN	4046356681087
Weight per Piece (including packing)	101.6 g
Weight per Piece (excluding packing)	98 g
Customs tariff number	85444290
Country of origin	PL

Technical Data

Product properties

Product type	Sensor/actuator cable
Number of positions	8
Application	Standard
No. of cable outlets	1
Shielded	no
Coding	A - standard

Insulation characteristics

Degree of pollution	3
---------------------	---

Material specifications

Flammability rating according to UL 94	HB
Material of grip body	TPU, hardly inflammable, self-extinguishing
Contact material	CuSn
Contact surface material	Ni/Au
Contact carrier material	TPU GF
Material for screw connection	Zinc die-cast, nickel-plated

Electrical properties

Contact resistance	≤ 5 mΩ
Insulation resistance	≥ 100 MΩ
Nominal voltage U_N	30 V AC
	30 V DC
Nominal current I_N	1.5 A
Protective circuit	unwired

Mechanical properties

Mechanical data

Insertion/withdrawal cycles	≥ 100
-----------------------------	-------

LED signaling

Status display	No
Status display present	No

Connection data

Conductor connection

Tightening torque	0.2 Nm (M8 connectors)
-------------------	------------------------

Connector

Connection 1

Sensor/actuator cable - SAC-8P-M 8MR/ 3,0-PUR



1404186

<https://www.phoenixcontact.com/pc/products/1404186>

Head design	Plug
Head cable outlet	angled
Head thread type	M8


Connection 2

Head design	free cable end
-------------	----------------

Cable / line

Cable length	3 m
--------------	-----

PUR halogen-free black [PUR]

Dimensional drawing	
UL AWM Style	20549
Number of positions	8
Shielded	no
Cable type	PUR halogen-free black [PUR]
Conductor structure signal line	18x 0.10 mm
AWG signal line	26
Conductor cross section	8x 0.14 mm ² (Signal line)
Wire diameter incl. insulation	1 mm ±0.02 mm (Signal line)
External cable diameter	5.1 mm ±0.15 mm
Outer sheath, material	PUR
External sheath, color	black-gray RAL 7021
Conductor material	Bare Cu litz wires
Material wire insulation	PP
Single wire, color	white, brown, green, yellow, gray, pink, blue, red
Thickness, insulation	≥ 0.21 mm (Signal line) ≥ 0.38 mm (Outer cable sheath)
Overall twist	8 wires around filler to the core
Length of twist, overall twist	58 mm
Max. conductor resistance	139 Ω/km (at 20 °C)
Insulation resistance	1 GΩ*km (at 20 °C)
Nominal voltage, cable	≤ 300 V AC
Test voltage	≥ 3000 V AC (Spark test)
Smallest bending radius, fixed installation	25.5 mm
Smallest bending radius, movable installation	51 mm
Max. bending cycles	4000000
Halogen-free	in accordance with DIN VDE 0472 part 815

Sensor/actuator cable - SAC-8P-M 8MR/ 3,0-PUR



1404186

<https://www.phoenixcontact.com/pc/products/1404186>

	in accordance with DIN EN 50267-2-1
Flame resistance	according to UL 758/1581 (horizontal)
	in accordance with UL 758/1581 FT2
Resistance to oil	According to DIN EN 60811-2-1, 168 h at 100°C
Other resistance	hydrolysis and microbe resistant
	Resistant to salt water
	Low adhesion
	abrasion-resistant
	partly UV-resistant in accordance with DIN EN ISO 4892-2-A
Ambient temperature (operation)	-40 °C ... 80 °C (cable, fixed installation)
	-25 °C ... 80 °C (Cable, flexible installation)

Ambient conditions

Degree of protection	IP65
	IP67
	IP68
Ambient temperature (operation)	-25 °C ... 85 °C (Plug / socket)

Standards and regulations

M8

Standards/specifications	IEC 61076-2-104
--------------------------	-----------------

Sensor/actuator cable - SAC-8P-M 8MR/ 3,0-PUR

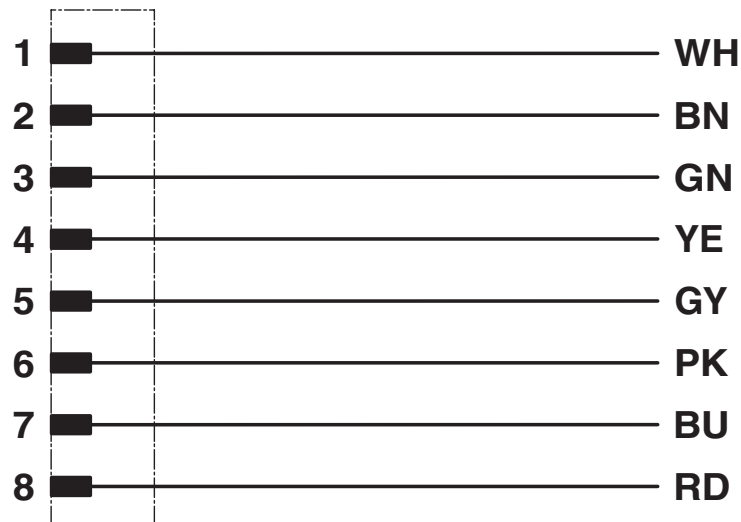
1404186

<https://www.phoenixcontact.com/pc/products/1404186>

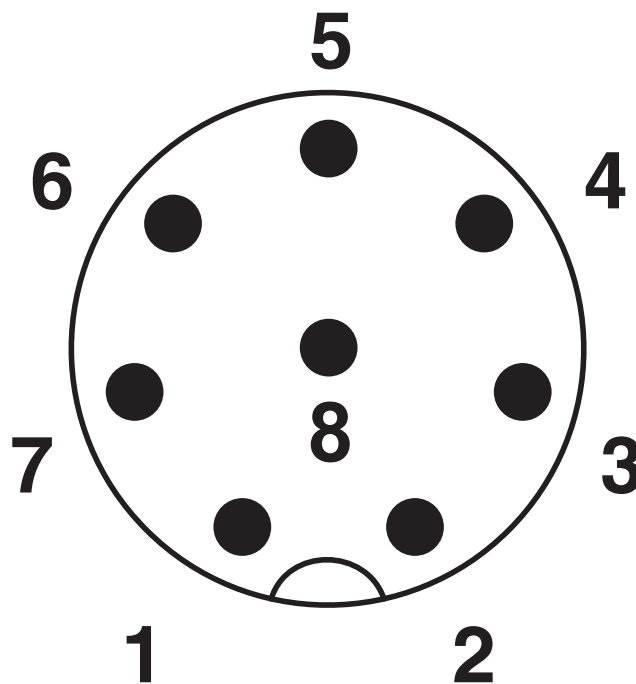


Drawings

Circuit diagram



Schematic diagram



M8 plug pin assignment, 8-pos., view of pin side

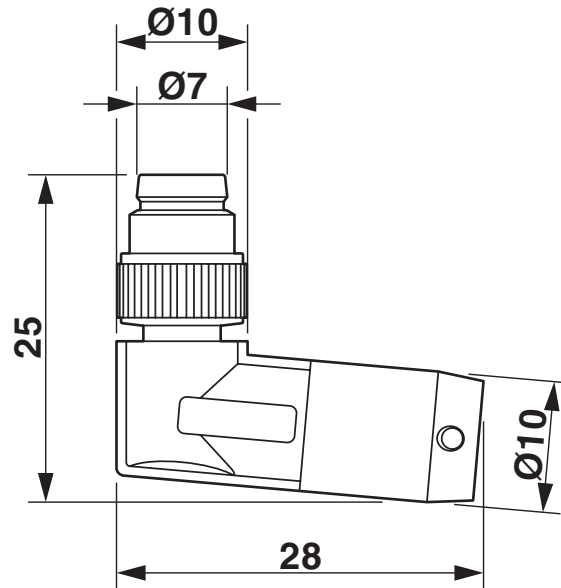
Sensor/actuator cable - SAC-8P-M 8MR/ 3,0-PUR

1404186

<https://www.phoenixcontact.com/pc/products/1404186>



Dimensional drawing



M8 x 1 male plug, angled version

Sensor/actuator cable - SAC-8P-M 8MR/ 3,0-PUR



1404186

<https://www.phoenixcontact.com/pc/products/1404186>

Approvals



EAC

Approval ID: RU C-DE.BL08.B.00286



UL Listed

Approval ID: FILE E 221474

	Nominal Voltage U_N	Nominal Current I_N	Cross Section AWG	Cross Section mm^2
	30 V	1.5 A	-	-



cUL Listed

Approval ID: FILE E 221474

	Nominal Voltage U_N	Nominal Current I_N	Cross Section AWG	Cross Section mm^2
	30 V	1.5 A	-	-



EAC

Approval ID: RU D-DE.HB35.B.00387

cULus Listed

Sensor/actuator cable - SAC-8P-M 8MR/ 3,0-PUR



1404186

<https://www.phoenixcontact.com/pc/products/1404186>

Classifications

ECLASS

ECLASS-9.0	27060311
ECLASS-10.0.1	27060311
ECLASS-11.0	27060311

ETIM

ETIM 8.0	EC001855
----------	----------

UNSPSC

UNSPSC 21.0	26121600
-------------	----------

Sensor/actuator cable - SAC-8P-M 8MR/ 3,0-PUR



1404186

<https://www.phoenixcontact.com/pc/products/1404186>

Environmental Product Compliance

REACH SVHC	Lead 7439-92-1
China RoHS	Environmentally Friendly Use Period = 50 years
	For information on hazardous substances, refer to the manufacturer's declaration available under "Downloads"

Sensor/actuator cable - SAC-8P-M 8MR/ 3,0-PUR



1404186

<https://www.phoenixcontact.com/pc/products/1404186>

Accessories

Sealing cap

Sealing cap - PROT-M 8 FS-PA-CHAIN - 1430857

<https://www.phoenixcontact.com/pc/products/1430857>

M8 sealing cap made of plastic with fixing band for sensor cables, for M8 plugs



Torque screwdriver

Torque screwdriver - TSD 02 SAC - 1208487

<https://www.phoenixcontact.com/pc/products/1208487>

Torque screwdriver, with preset torque of 0.2 Nm and 4 mm hexagonal drive for M8 connectors



Sensor/actuator cable - SAC-8P-M 8MR/ 3,0-PUR

1404186

<https://www.phoenixcontact.com/pc/products/1404186>

Tool

Tool - SAC BIT M8-D10 - 1208461

<https://www.phoenixcontact.com/pc/products/1208461>



Nut for assembling M8 connectors with longitudinal knurl and a knurl diameter of 10 mm, for 4 mm hexagonal drive

Insert label

Insert label - PABA WH/23 - 1013779

<https://www.phoenixcontact.com/pc/products/1013779>



Insert label, Strip, white, unlabeled, can be labeled with: CMS-P1-PLOTTER, mounting type: slide-on, cable diameter range: 1.5 ... 35 mm, lettering field size: 23 x 4 mm, Number of individual labels: 20

Sensor/actuator cable - SAC-8P-M 8MR/ 3,0-PUR

1404186

<https://www.phoenixcontact.com/pc/products/1404186>

Insert label

Insert label - PABA YE/23 - 1013782

<https://www.phoenixcontact.com/pc/products/1013782>



Insert label, Strip, yellow, unlabeled, can be labeled with: CMS-P1-PLOTTER, mounting type: slide-on, cable diameter range: 1.5 ... 35 mm, lettering field size: 23 x 4 mm, Number of individual labels: 20

Marker pen

Marker pen - B-STIFT - 1051993

<https://www.phoenixcontact.com/pc/products/1051993>



Marker pen, for manual labeling of unprinted Zack strips, smear-proof and waterproof, line thickness 0.5 mm

Sensor/actuator cable - SAC-8P-M 8MR/ 3,0-PUR

1404186

<https://www.phoenixcontact.com/pc/products/1404186>

Diagonal cutter

Diagonal cutter - CUTFOX-S VDE - 1212207

<https://www.phoenixcontact.com/pc/products/1212207>



Diagonal cutter for hard (piano wire) and soft wires, VDE 1000 V AC/1500 V DC tested

Stripping tool

Stripping tool - WIREFOX SAC-1 - 1212757

<https://www.phoenixcontact.com/pc/products/1212757>



Stripping pliers, for halogen-free sensor/actuator cables (SAC cables), with PUR and PVC insulation, from \varnothing of 3.2 to 4.4 mm, any stripping length

Sensor/actuator cable - SAC-8P-M 8MR/ 3,0-PUR

1404186

<https://www.phoenixcontact.com/pc/products/1404186>

Stripping tool

Stripping tool - WIREFOX SAC - 1212623

<https://www.phoenixcontact.com/pc/products/1212623>



Stripping pliers, for halogen-free sensor/actuator cables (SAC cables), with PUR and PVC insulation, from Ø of 4.4 to 7 mm, any stripping length

Stripping tool

Stripping tool - WIREFOX 10 - 1212150

<https://www.phoenixcontact.com/pc/products/1212150>



Stripping tool, for cables and conductors from 0.02 - 10 mm², self-adjusting, stripping length of up to 18 mm, cutting capacity of up to 10 mm² stranded/1.5 mm² solid, replaceable stripping blade

Sensor/actuator cable - SAC-8P-M 8MR/ 3,0-PUR

1404186

<https://www.phoenixcontact.com/pc/products/1404186>

Protective hose adapter

Protective hose adapter - WP-CTA POM 13,0 BK - 1422884

<https://www.phoenixcontact.com/pc/products/1422884>



Protective hose adapter, for corrugated hoses with a nominal size of 13 (10 x 13), corrugated in parallel

Protective hose

Protective hose - WP-PA HF 13,0 BK - 3240681

<https://www.phoenixcontact.com/pc/products/3240681>



Protective hose, material: PA 6, UV-resistant: yes, flexible, degree of protection: IP68, color: black, flammability rating in acc. with UL 94: V0, inner diameter: 10 mm, Total length: 50 m

Sensor/actuator cable - SAC-8P-M 8MR/ 3,0-PUR



1404186

<https://www.phoenixcontact.com/pc/products/1404186>

Protective hose

Protective hose - WP-PA HF-HB 13,0 BK - 3240839

<https://www.phoenixcontact.com/pc/products/3240839>



Protective hose, material: PA 6, UV-resistant: yes, flexible, degree of protection: IP68, color: black, flammability rating in acc. with UL 94: HB, inner diameter: 10 mm, Total length: 50 m

Phoenix Contact 2022 © - all rights reserved

<https://www.phoenixcontact.com>

PHOENIX CONTACT GmbH & Co. KG

Flachsmarktstraße 8

D-32825 Blomberg

+49 (0) 5235-3 00

info@phoenixcontact.com