

Sensor/actuator cable - SAC-5P-10,0-600/M12FS HD



1404052

<https://www.phoenixcontact.com/pc/products/1404052>

Please be informed that the data shown in this PDF document is generated from our Online Catalog. Please find the complete data in the user documentation. Our General Terms of Use for Downloads are valid.



Sensor/actuator cable, 5-position, PP-EPDM halogen-free, gray RAL 7035, free cable end, on Socket straight M12, coding: A, cable length: 10 m, Hygienic design, with high-grade steel knurl

Your advantages

- Easy and safe: 100% electrically tested plug-in components
- Stainless steel type 1.4404 used to provide corrosion protection for all exposed metal parts
- Contamination can be detected quickly – thanks to the light color

Commercial Data

Item number	1404052
Packing unit	1 pc
Minimum order quantity	1 pc
Product Key	BF1CDA
Catalog Page	Page 143 (C-4-2013)
GTIN	4046356677905
Weight per Piece (including packing)	330.4 g
Weight per Piece (excluding packing)	319 g
Customs tariff number	85444290
Country of origin	PL

1404052

<https://www.phoenixcontact.com/pc/products/1404052>

Technical Data

Product properties

Product type	Sensor/actuator cable
Number of positions	5
Application	Food processing industry
No. of cable outlets	1
Shielded	no
Coding	A - standard

Insulation characteristics

Overvoltage category	II
Degree of pollution	3

Material specifications

Sealing material	FKM
Material of grip body	PP
Contact material	CuSn
Contact surface material	Ni/Au
Contact carrier material	PP
Material for screw connection	Stainless steel

Electrical properties

Contact resistance	$\leq 5 \text{ m}\Omega$
Insulation resistance	$\geq 100 \text{ M}\Omega$
Nominal voltage U_N	48 V AC
	60 V DC
Nominal current I_N	4 A
Protective circuit	unwired

Mechanical properties

Mechanical data

Insertion/withdrawal cycles	≥ 100
-----------------------------	------------

LED signaling

Status display	No
Status display present	No

Connection data

Conductor connection

Tightening torque	0.4 Nm (M12 connector)
-------------------	------------------------

Connector

Sensor/actuator cable - SAC-5P-10,0-600/M12FS HD



1404052

<https://www.phoenixcontact.com/pc/products/1404052>

Connection 1

Head design	free cable end
-------------	----------------


Connection 2

Head design	Socket
Head cable outlet	straight
Head thread type	M12
Coding	A

Cable / line

Cable length	10 m
--------------	------

Halogen-free PP gray [600]

Dimensional drawing	
Cable weight	34 kg/km
Number of positions	5
Shielded	no
Cable type	Halogen-free PP gray [600]
Conductor structure signal line	42x 0.10 mm
AWG signal line	22
Conductor cross section	5x 0.34 mm ² (Signal line)
Wire diameter incl. insulation	1.27 mm ±0.02 mm (Signal line)
External cable diameter	5 mm ±0.15 mm
Outer sheath, material	PP-EPDM
External sheath, color	gray RAL 7035
Conductor material	Bare Cu litz wires
Material wire insulation	PP
Single wire, color	Brown, white, blue, black, gray
Thickness, insulation	≥ 0.21 mm (Core insulation)
Thickness, outer sheath	approx. 0.7 mm
Overall twist	5 cores, twisted
Length of twist, overall twist	55 mm
Max. conductor resistance	58 Ω/km (at 20 °C)
Nominal voltage, cable	≤ 300 V AC
Test voltage	≥ 3000 V AC
Minimum bending radius, fixed installation	5 x D
Minimum bending radius, flexible installation	10 x D

Sensor/actuator cable - SAC-5P-10,0-600/M12FS HD



1404052

<https://www.phoenixcontact.com/pc/products/1404052>

Max. bending cycles	4000000
Torsion force	± 270 °/m
Torsion cycles	≥ 4000000
Torsional frequency	max. 25 (Torsion cycles/min)
Halogen-free	in accordance with DIN VDE 0472 part 815
Other resistance	Resistant to cold bending and cold impacts according to DIN EN 60811-1-4 (-40 °C)
Special properties	FDA compliant according to FDA 21 CFR 177.2600
	highly flexible
	Flexible cable conduit capable
Ambient temperature (operation)	-40 °C ... 105 °C (cable, fixed installation)
	-25 °C ... 105 °C (Cable, flexible installation)

Ambient conditions

Degree of protection	IP65
	IP67
	IP68
	IP69K
Ambient temperature (operation)	-40 °C ... 105 °C (Plug / socket)

Standards and regulations

M12

Standards/specifications	IEC 61076-2-101
Standards/specifications	FDA 21 CFR 177.2600

Sensor/actuator cable - SAC-5P-10,0-600/M12FS HD

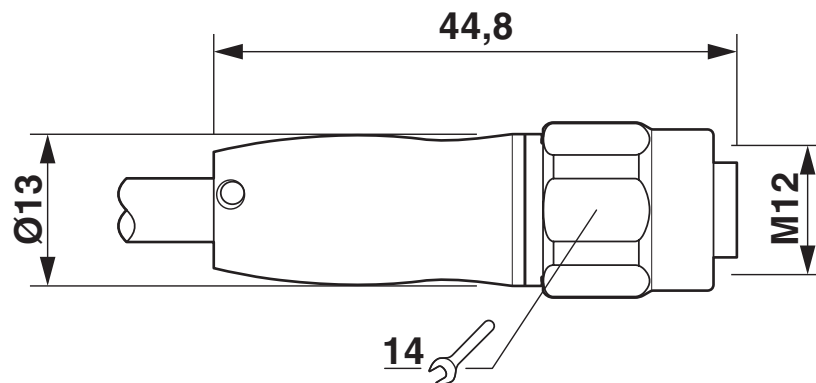


1404052

<https://www.phoenixcontact.com/pc/products/1404052>

Drawings

Dimensional drawing



M12 x 1 socket, straight

Circuit diagram



1404052

<https://www.phoenixcontact.com/pc/products/1404052>

Schematic diagram



Pin assignment M12 socket, 5-pos., A-coded, socket side view

Sensor/actuator cable - SAC-5P-10,0-600/M12FS HD



1404052

<https://www.phoenixcontact.com/pc/products/1404052>

Approvals



EAC

Approval ID: RU C-DE.BL08.B.00286



EAC

Approval ID: RU D-DE.HB35.B.00387

Sensor/actuator cable - SAC-5P-10,0-600/M12FS HD



1404052

<https://www.phoenixcontact.com/pc/products/1404052>

Classifications

ECLASS

ECLASS-9.0	27060311
ECLASS-10.0.1	27060311
ECLASS-11.0	27060311

ETIM

ETIM 8.0	EC001855
----------	----------

UNSPSC

UNSPSC 21.0	26121600
-------------	----------

Sensor/actuator cable - SAC-5P-10,0-600/M12FS HD



1404052

<https://www.phoenixcontact.com/pc/products/1404052>

Environmental Product Compliance

China RoHS	Environmentally friendly use period: unlimited = EFUP-e
	No hazardous substances above threshold values

1404052

<https://www.phoenixcontact.com/pc/products/1404052>

Accessories

Diagonal cutter

Diagonal cutter - CUTFOX-S VDE - 1212207

<https://www.phoenixcontact.com/pc/products/1212207>



Diagonal cutter for hard (piano wire) and soft wires, VDE 1000 V AC/1500 V DC tested

Stripping tool

Stripping tool - WIREFOX SAC - 1212623

<https://www.phoenixcontact.com/pc/products/1212623>



Stripping pliers, for halogen-free sensor/actuator cables (SAC cables), with PUR and PVC insulation, from Ø of 4.4 to 7 mm, any stripping length

Sensor/actuator cable - SAC-5P-10,0-600/M12FS HD



1404052

<https://www.phoenixcontact.com/pc/products/1404052>

Stripping tool

Stripping tool - WIREFOX 10 - 1212150

<https://www.phoenixcontact.com/pc/products/1212150>



Stripping tool, for cables and conductors from 0.02 - 10 mm², self-adjusting, stripping length of up to 18 mm, cutting capacity of up to 10 mm² stranded/1.5 mm² solid, replaceable stripping blade

Torque screwdriver

Torque screwdriver - TSD 04 SAC - 1208429

<https://www.phoenixcontact.com/pc/products/1208429>



Torque screwdriver, with preset torque of 0.4 Nm and 4 mm hexagonal drive for M12 connectors

Sensor/actuator cable - SAC-5P-10,0-600/M12FS HD



1404052

<https://www.phoenixcontact.com/pc/products/1404052>

Torque screwdriver

Torque screwdriver - TSD-M 1,2NM - 1212224

<https://www.phoenixcontact.com/pc/products/1212224>



Torque screw driver, accuracy as per EN ISO 6789 standard, adjustable from 0.3 - 1.2 Nm

Adapter insert

Adapter insert - TSD-M SAC-BIT ADAPTER - 1212600

<https://www.phoenixcontact.com/pc/products/1212600>



Adapter bit for TSD-M...torque tools, E6.3-1/4" drive with 4 mm hexagon to accommodate SAC bits

Sensor/actuator cable - SAC-5P-10,0-600/M12FS HD



1404052

<https://www.phoenixcontact.com/pc/products/1404052>

Tool

Tool - SAC BIT M12-W14 - 1212513

<https://www.phoenixcontact.com/pc/products/1212513>

Nut for assembling sensor/actuator cables with M12 connector and M12 connectors for assembly, with a hexagonal knurl wrench size of 14 mm, with 4 mm hexagonal drive



Phoenix Contact 2023 © - all rights reserved

<https://www.phoenixcontact.com>

PHOENIX CONTACT GmbH & Co. KG

Flachsmarktstraße 8

D-32825 Blomberg

+49 (0) 5235-3 00

info@phoenixcontact.com