

# Sensor/actuator cable - SAC-4P-MS/3,0-600/M12FR-3L FB



1404036

<https://www.phoenixcontact.com/pc/products/1404036>

Please be informed that the data shown in this PDF document is generated from our Online Catalog. Please find the complete data in the user documentation. Our General Terms of Use for Downloads are valid.



Sensor/actuator cable, 4-position, PP-EPDM, gray RAL 7035, Plug straight M12, coding: A, on Socket angled M12, coding: A, with 3 LEDs, cable length: 3 m, Hygienic design, with plastic knurl

## Your advantages

- Easy and safe: 100% electrically tested plug-in components
- Contamination can be detected quickly – thanks to the light color
- Convenient: increased machine availability thanks to quick and easy diagnostics

## Commercial Data

Item number	1404036
Packing unit	1 pc
Minimum order quantity	1 pc
Product Key	BF1CCA
Catalog Page	Page 144 (C-4-2013)
GTIN	4046356677790
Weight per Piece (including packing)	79 g
Weight per Piece (excluding packing)	79 g
Customs tariff number	85444290
Country of origin	PL

# Sensor/actuator cable - SAC-4P-MS/3,0-600/M12FR-3L FB



1404036

<https://www.phoenixcontact.com/pc/products/1404036>

## Technical Data

### Product properties

Product type	Sensor/actuator cable
Number of positions	4
Application	Food processing industry
No. of cable outlets	1
Shielded	no
Coding	A - standard

### Insulation characteristics

Overvoltage category	II
Degree of pollution	3

### Material specifications

Sealing material	FKM
Material of grip body	PP
Contact material	CuSn
Contact surface material	Ni/Au
Contact carrier material	PP
Material for screw connection	Polypropylene

### Electrical properties

Contact resistance	$\leq 5 \text{ m}\Omega$
Insulation resistance	$\geq 100 \text{ M}\Omega$
Nominal voltage $U_N$	24 V DC
Nominal current $I_N$	4 A
Protective circuit	unwired

### Mechanical properties

#### Mechanical data

Insertion/withdrawal cycles	$\geq 100$
-----------------------------	------------

### LED signaling

Status display	3 LEDs
Status display present	yes

### Connection data

#### Conductor connection

Tightening torque	0.4 Nm (M12 connector)
-------------------	------------------------

### Connector

#### Connection 1

# Sensor/actuator cable - SAC-4P-MS/3,0-600/M12FR-3L FB

1404036


<https://www.phoenixcontact.com/pc/products/1404036>

Head design	Plug
Head cable outlet	straight
Head thread type	M12
Coding	A

## Connection 2

Head design	Socket
Head cable outlet	angled
Head thread type	M12
Coding	A
Status indicator head	3 LEDs

## Cable / line

Cable length	3 m
Dimensional drawing	
Cable weight	30 kg/km
Number of positions	4
Shielded	no
Conductor structure signal line	42x 0.10 mm
AWG signal line	22
Conductor cross section	4x 0.34 mm <sup>2</sup> (Signal line)
Wire diameter incl. insulation	1.27 mm ±0.02 mm (Signal line)
External cable diameter	4.7 mm ±0.15 mm
Outer sheath, material	PP-EPDM
External sheath, color	gray RAL 7035
Conductor material	Bare Cu litz wires
Material wire insulation	PP
Single wire, color	brown, white, blue, black
Thickness, insulation	≥ 0.21 mm
Thickness, outer sheath	approx. 0.8 mm
Overall twist	4 wires, twisted
Length of twist, overall twist	48 mm
Max. conductor resistance	approx. 58 MΩ/km
Insulation resistance	≥ 1 GΩ*km
Nominal voltage, cable	≤ 300 V
Test voltage	≥ 3000 V
Minimum bending radius, fixed installation	5 x D

# Sensor/actuator cable - SAC-4P-MS/3,0-600/M12FR-3L FB



1404036

<https://www.phoenixcontact.com/pc/products/1404036>

Minimum bending radius, flexible installation	10 x D
Max. bending cycles	4000000
Torsional frequency	Torsion cycles/min
Halogen-free	in accordance with DIN VDE 0472 part 815
Other resistance	Resistant to cold bending and cold impacts according to DIN EN 60811-1-4 (-40 °C)
Special properties	partly suitable for use with drag chain
Ambient temperature (operation)	-40 °C ... 105 °C (cable, fixed installation) -25 °C ... 105 °C (Cable, flexible installation)

## Ambient conditions

Degree of protection	IP65 IP67 IP68 IP69K
Ambient temperature (operation)	-40 °C ... 105 °C (Plug / socket)

## Standards and regulations

Standards/specifications	IEC 61076-2-101
Standards/specifications	FDA 21 CFR 177.2600

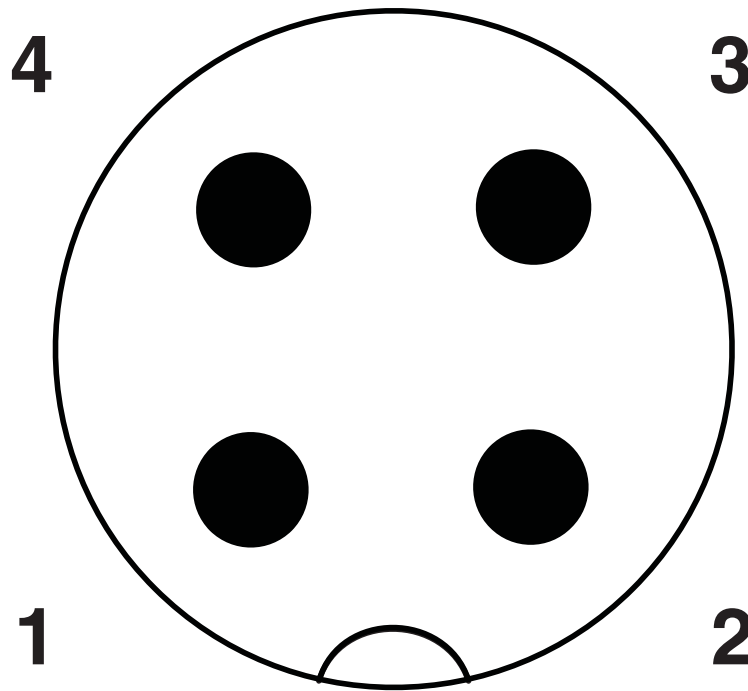
# Sensor/actuator cable - SAC-4P-MS/3,0-600/M12FR-3L FB

1404036

<https://www.phoenixcontact.com/pc/products/1404036>

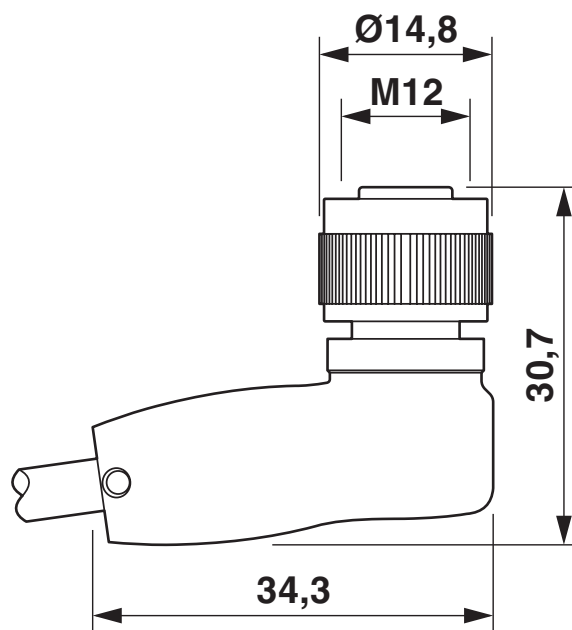
## Drawings

Schematic diagram



Pin assignment M12 plug, 4-pos., A-coded, view plug side

Dimensional drawing



Socket M12 x 1, angled, with LED

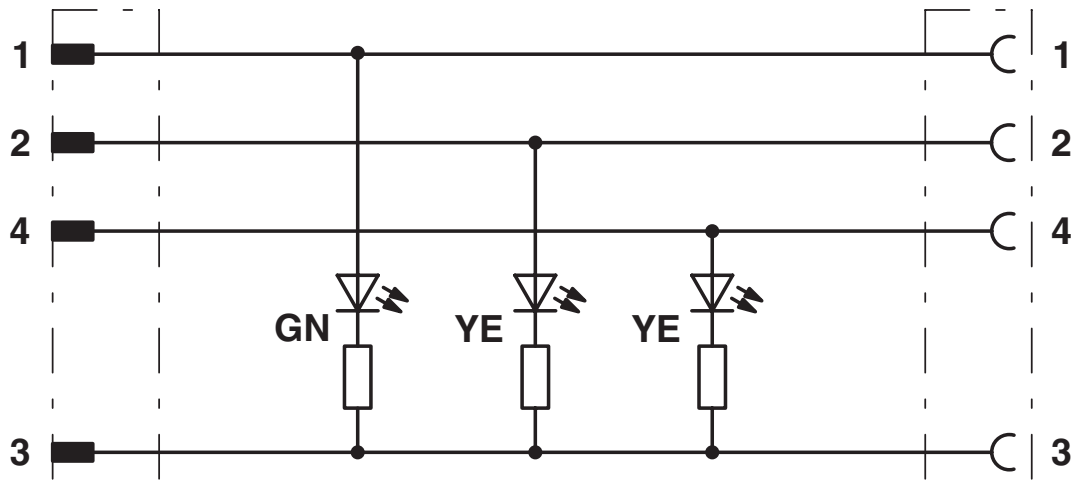
# Sensor/actuator cable - SAC-4P-MS/3,0-600/M12FR-3L FB



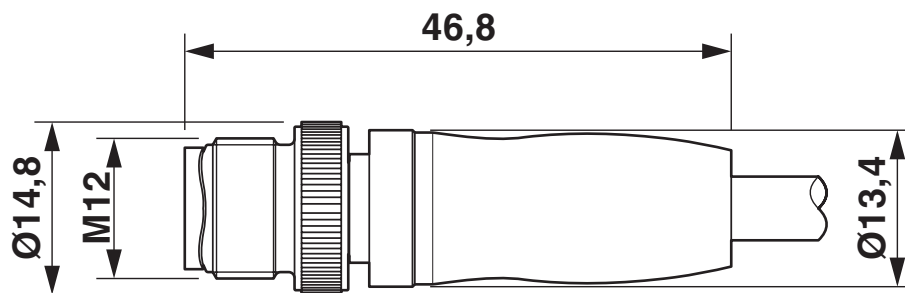
1404036

<https://www.phoenixcontact.com/pc/products/1404036>

Circuit diagram



Dimensional drawing



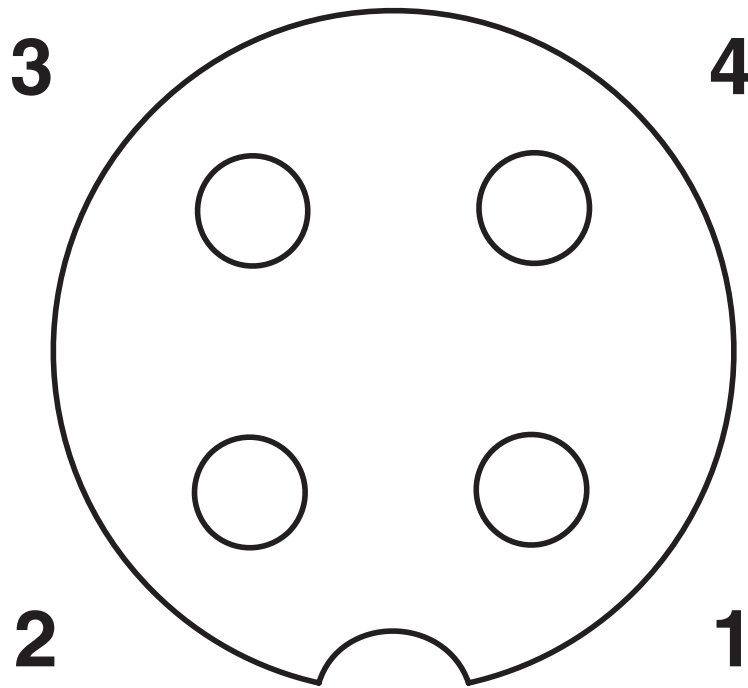
Plug, M12 x 1, straight, shielded

# Sensor/actuator cable - SAC-4P-MS/3,0-600/M12FR-3L FB

1404036

<https://www.phoenixcontact.com/pc/products/1404036>

Schematic diagram



Pin assignment M12 socket, 4-pos., A-coded, view female side

# Sensor/actuator cable - SAC-4P-MS/3,0-600/M12FR-3L FB



1404036

<https://www.phoenixcontact.com/pc/products/1404036>

## Approvals



**EAC**

Approval ID: RU C-DE.BL08.B.00286



**EAC**

Approval ID: RU D-DE.HB35.B.00387

# Sensor/actuator cable - SAC-4P-MS/3,0-600/M12FR-3L FB



1404036

<https://www.phoenixcontact.com/pc/products/1404036>

## Classifications

### ECLASS

ECLASS-9.0	27060311
ECLASS-10.0.1	27060311
ECLASS-11.0	27060311

### ETIM

ETIM 8.0	EC001855
----------	----------

### UNSPSC

UNSPSC 21.0	26121600
-------------	----------

# Sensor/actuator cable - SAC-4P-MS/3,0-600/M12FR-3L FB



1404036

<https://www.phoenixcontact.com/pc/products/1404036>

## Environmental Product Compliance

China RoHS	Environmentally friendly use period: unlimited = EFUP-e
	No hazardous substances above threshold values

Phoenix Contact 2022 © - all rights reserved  
<https://www.phoenixcontact.com>

PHOENIX CONTACT GmbH & Co. KG  
Flachmarktstraße 8  
D-32825 Blomberg  
+49 (0) 5235-3 00  
[info@phoenixcontact.com](mailto:info@phoenixcontact.com)