

Data sheet

E-DAT Industry RJ45 plug black Cat.6 Class E_A

Page 1/7

P/N

1401505012-E

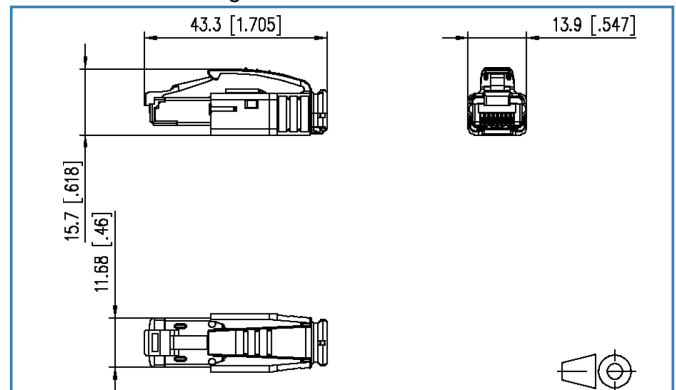
EAN 4250184113799

2017-19-12

Illustrations



Dimensional drawing



See enlarged drawings at the end of document



Product specification

- multi-port Cat.6 class E_A plug
- compliance with class E_A to ISO/IEC 11801 Ed.2.2:2011-06, DIN EN 50173-1:2011-09
- suitable for 10 GBit Ethernet (IEEE 802.3an), Remote Powering (PoE, PoE plus and UPoE) and HDBaseT
- AWG 27/7 - 24/7 and AWG 26/1 - 24/1 connection possible
- solid copper wire diameter from 0.36 to 0.51 mm
- stranded copper wire diameter from 0.46 to 0.61 mm
- conductor diameter from 0.85 to 1.05 mm
- cable jacket up to 7.3 mm can be connected
- connection of crimp contacts and shield in one step using crimping tool
- variants with and without bend protection
- colored bend protection optionally available
- trumpet-shaped bending protection of the connection cable
- can be used as test plug on IP67 protected jacks of variants 1, 4, 5, 6 and 14
- not supplied in partial quantities
- variants: with bend protection / PU: 10 pcs, without bend protection / PU: 100 pcs



Technical Data

General Data

Fields of application	Industrial Ethernet
Design	Plugs
Shielding	shielded
Transmission technology	Copper
Color	black
Dimensions	
Dimension (L x W x H)	43.30 x 13.90 x 15.70 mm
Dimension (L x W x H)	1.705 x 0.547 x 0.618 in.
Multi-port capability	yes
Marking option	by cable boot

Transmission characteristics

Category (ISO)	6
Class (ISO/IEC)	E _A
Category (TIA)	6
Remote Powering	yes
PoE	IEEE 802.3af
PoE plus	IEEE 802.3at
UPoE	yes
HDBaseT	yes
Transmission rate up to 10 GBit	IEEE 802.3an

Connections/interfaces

Connector technology interface 1	IDC-connection
Connector technology interface 2	RJ45 plug
Number of ports interface 2	1
Number of ports interface 2 equipped	1
Number of positions/contacts interface 1	8
Number of positions/contacts interface 2	8P/8C



Technical Data

Connections/interfaces

Termination data, solid wire (min. - max.)

Conductor cross section, solid wire	AWG 26/1 - 24/1
Conductor cross section, solid wire	0.128 - 0.205 mm ²
Conductor diameter, solid wire (bare copper)	0.409 - 0.511 mm
Conductor diameter, solid wire (bare copper)	0.016 - 0.020 in.

Termination data, stranded wire (min. - max.)

Conductor cross section, stranded wire	AWG 27/7 - 24/7
Conductor cross section, stranded wire	0.111 - 0.227 mm ²
Conductor diameter, stranded wire (bare copper)	0.457 - 0.610 mm
Conductor diameter, stranded wire (bare copper)	0.018 - 0.024 in.

Core diameter (min. - max.)

Core diameter (conductor with insulation)	0.85 - 1.05 mm
Core diameter (conductor with insulation)	0.033 - 0.041 in.

Cable sheath diameter (min. - max.)

Cable sheath diameter	5.5 - 7.30 mm
Cable sheath diameter	0.197 - 0.287 in.

Cable access/outlet	180°
---------------------	------

Electrical characteristics

Current carrying capacity	max. 1 A
Contact resistance	max. 20 mOhm
Insulation resistance	min. 500 MOhm
Dielectric strength conductor-conductor (secondary)	min. 1000 V DC
Dielectric strength conductor-shield	min. 1500 V DC

Mechanical characteristics

Mounting method	snap-in function
Insertion and withdrawal force	max. 30 N
Life - Number of mating cycles	min. 750
Position/mounting of latch - standard installation position	top



Technical Data

Materials and material properties

Material - Housing	PC UL94 V0
Material - Contact	PhBr (phosphor bronze)
Material - Contact finish	Ni + Au (nickel-gold)
Material - Shield	CuZn (brass)
Material - Shield finish	Ni (nickel)
Material - Stuffer cap	PC UL94 V0
Material - Cable boot	PC UL94-V0
Material - Latch	Plastics

Environmental conditions

Temperature (min. - max.)	
Temperature - Storage °C	-40 - 70 °C
Temperature - Storage °F	-40 - 158 °F
Temperature - Operating °C	-40 - 70 °C
Temperature - Operating °F	-40 - 158 °F
Particulate ingress	IP2X
Liquid ingress/immersion	IPX0
Electromagnetic measurement	E ₂

Approvals

RoHS	compliant
UL listed (file no.)	 DUXR.E178484

The product meets the following standards

Generic cabling systems	
General requirements	ISO/IEC 11801 Ed.2.2:2011-06 DIN EN 50173-1:2011-09 TIA/EIA 568-C
Office buildings	ISO/IEC 11801 Ed.2.2: 2011-06 DIN EN 50173-2: 2011-09 TIA/EIA 568-C
Industrial area	ISO/IEC 24702 DIN EN 50173-3: 2011-09 TIA/EIA 1005
Living units	ISO/IEC 15018 DIN EN 50173-4: 2011-09 TIA/EIA 570-B



Technical Data

The product meets the following standards

Expansion of Communication Circuit Accessories (DUXR) Category	UL 1863
Connectors for electronic equipment	
Free and fixed connectors	DIN EN 60603-7-51:2011-01
Interference proof	
Immunity for industrial environments	DIN EN 61000-6-2:2006-03
Emission proof	
Electromagnetic emission for residential, commercial and light-industrial environments	DIN EN 61000-6-3:2011-09

Classifications

ETIM 5.0	EC001121
ETIM 6.0	EC001121

Packing details

Type of packaging	10 pc(s) / box
Packaging unit - Weight (gram)	40.00 g
Packaging unit - Weight (pound)	0.09 lb
Packaging dimension (W x H x D)	250.00 x 105.00 x 89.00 mm
Packaging dimension (W x H x D)	9.843 x 4.134 x 3.504 in.



Accessories

P/N	Designation
1401008201-E	E-DAT Industry IP20 bend protection orange
1401008202-E	E-DAT Industry IP20 bend protection black
1401008203-E	E-DAT Industry IP20 bend protection light gray
1401008204-E	E-DAT Industry IP20 bend protection white
1401008205-E	E-DAT Industry IP20 bend protection yellow
1401008206-E	E-DAT Industry IP20 bend protection blue
1401008207-E	E-DAT Industry IP20 bend protection green



Illustrations

Dimensional drawing

