

Data sheet

E-DAT Industry RJ45 field plug black Cat.6 Class E_A

Page 1/7

P/N

1401405012-I

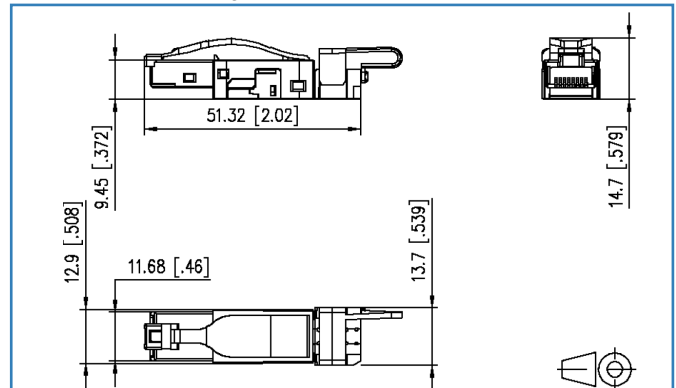
EAN 4250184113881

2017-19-12

Illustrations



Dimensional drawing



See enlarged drawings at the end of document



Product specification

- multi-port Cat.6 class E_A plug to be assembled in the field
- compliance with class E_A to ISO/IEC 11801 Ed.2.2:2011-06, DIN EN 50173-1:2011-09
- suitable for 10 GBit Ethernet (IEEE 802.3an), Remote Powering (PoE, PoE plus and UPoE) and HDBaseT
- 8-wire RJ45 plug for AWG 22 to be assembled in the field
- connection of AWG 26/7 - 22/7; AWG 26/1 - 22/1 possible
- solid copper wire diameter from 0.4 to 0.64 mm
- stranded copper wire diameter from 0.48 to 0.76 mm
- conductor diameter up to 1.6 mm
- cable jacket from 5.5 to 8.5 mm
- consists of only 2 parts
- easy assembly - connection without special tools
- during mounting, the cable is mechanically fastened to the stuffer cap
- easy to actuate strain relief
- strain relief can be snapped on after assembly as color coding
- zinc die-cast housing for industrial use
- protected locking hook
- can be used as test plug on IP67 protected jacks of variants 1, 4, 5, 6 and 14
- variants: T568A, T568B, Industry



Technical Data

General Data

| | |
|-------------------------|-----------------------------|
| Fields of application | Industrial Ethernet, Office |
| Design | Plugs |
| Shielding | shielded |
| Transmission technology | Copper |
| Color | black |
| Dimensions | |
| Dimension (L x W x H) | 51.32 x 12.90 x 14.70 mm |
| Dimension (L x W x H) | 2.02 x 0.508 x 0.579 in. |
| Field assembly ability | yes |
| Multi-port capability | yes |
| Marking option | Strain relief |

Transmission characteristics

| | |
|---------------------------------|----------------|
| Category (ISO) | 6 |
| Class (ISO/IEC) | E _A |
| Category (TIA) | 6 |
| Remote Powering | yes |
| PoE | IEEE 802.3af |
| PoE plus | IEEE 802.3at |
| UPoE | yes |
| HDBaseT | yes |
| Transmission rate up to 10 GBit | IEEE 802.3an |

Connections/interfaces

| | |
|--|----------------|
| Connector technology interface 1 | IDC-connection |
| Connector technology interface 2 | RJ45 plug |
| Number of ports interface 2 | 1 |
| Number of ports interface 2 equipped | 1 |
| Number of positions/contacts interface 1 | 8 |
| Number of positions/contacts interface 2 | 8P/8C |



Technical Data

Connections/interfaces

Termination data, solid wire (min. - max.)

| | |
|--|-------------------------------|
| Conductor cross section, solid wire | AWG 26/1 - 22/1 |
| Conductor cross section, solid wire | 0.128 - 0.324 mm ² |
| Conductor diameter, solid wire (bare copper) | 0.409 - 0.643 mm |
| Conductor diameter, solid wire (bare copper) | 0.016 - 0.025 in. |

Termination data, stranded wire (min. - max.)

| | |
|---|-------------------------------|
| Conductor cross section, stranded wire | AWG 26/7 - 22/7 |
| Conductor cross section, stranded wire | 0.141 - 0.355 mm ² |
| Conductor diameter, stranded wire (bare copper) | 0.483 - 0.762 mm |
| Conductor diameter, stranded wire (bare copper) | 0.019 - 0.030 in. |

Core diameter (min. - max.)

| | |
|---|-----------|
| Core diameter (conductor with insulation) | 1.60 mm |
| Core diameter (conductor with insulation) | 0.063 in. |

Cable sheath diameter (min. - max.)

| | |
|-----------------------|-------------------|
| Cable sheath diameter | 5.50 - 8.50 mm |
| Cable sheath diameter | 0.217 - 0.335 in. |

| | |
|---------------------|------|
| Cable access/outlet | 180° |
|---------------------|------|

| | |
|------------------|--|
| Reconnectibility | yes, if cross section is greater or the same |
|------------------|--|

| | |
|-------------------|-------------------------|
| Shield connection | flexible contact spring |
|-------------------|-------------------------|

Electrical characteristics

| | |
|---------------------------|----------|
| Current carrying capacity | max. 1 A |
|---------------------------|----------|

| | |
|--------------------|--------------|
| Contact resistance | max. 20 mOhm |
|--------------------|--------------|

| | |
|-----------------------|---------------|
| Insulation resistance | min. 500 MOhm |
|-----------------------|---------------|

| | |
|---|----------------|
| Dielectric strength conductor-conductor (secondary) | min. 1000 V DC |
|---|----------------|

| | |
|--------------------------------------|----------------|
| Dielectric strength conductor-shield | min. 1500 V DC |
|--------------------------------------|----------------|

Mechanical characteristics

| | |
|-----------------|------------------|
| Mounting method | snap-in function |
|-----------------|------------------|

| | |
|--------------------------------|-----------|
| Insertion and withdrawal force | max. 30 N |
|--------------------------------|-----------|

| | |
|--------------------------------|-----|
| Life - Number of mating cycles | 750 |
|--------------------------------|-----|

| | |
|---|-----|
| Position/mounting of latch - standard installation position | top |
|---|-----|

| | |
|---------------|-----|
| strain relief | yes |
|---------------|-----|



Technical Data

Materials and material properties

| | |
|---|--------------------------|
| Material - Housing | GD-Zn (zinc die-cast) |
| Material - Housing finish | copper-nickel (Ni-Cu) |
| Material - Insulation displacement contacts | CuSn (tin bronze) |
| Material - Finish of insulation displacement contacts | Sn (tin) |
| Material - Contact | CuSn (tin bronze) |
| Material - Contact finish | Ni + Au (nickel-gold) |
| Material - Shield | Cu-Ni-Zn (nickel silver) |
| Material - Stuffer cap | PA UL94-V0 |
| Material - Strain relief | PA UL94-V0 |
| Material - Latch | PA UL94 V0 |
| Material - Finish | Ni (nickel) |

Environmental conditions

| | |
|-----------------------------|--|
| Temperature (min. - max.) | |
| Temperature - Storage °C | -40 - 70 °C |
| Temperature - Storage °F | -40 - 158 °F |
| Temperature - Operating °C | -40 - 70 °C |
| Temperature - Operating °F | -40 - 158 °F |
| Particulate ingress | IP2X |
| Liquid ingress/immersion | IPX0 |
| Rapid change of temperature | -40°C bis +70°C / 25cycles t = 30 min. |
| Damp heat | +25°C / +77°F +65°C / +149°F / 93% RH // -10°C / -14°F / 21 cycles |
| Flowing mixed gas | +25 °C / +77°F / 73% RH / 4 days, H2S / SO2 |
| Electromagnetic measurement | E ₂ |
| Vibration | 50 m/s ² |
| Shock | 250 m/s ² |

Approvals

| | |
|----------------------|---|
| RoHS | compliant |
| UL listed (file no.) |  DUXR.E178484 |

Technical Data

The product meets the following standards

| | |
|--|---|
| Generic cabling systems | |
| General requirements | ISO/IEC 11801 Ed.2.2:2011-06 DIN EN 50173-1:2011-09 TIA/EIA 568-B.2-10 |
| Office buildings | ISO/IEC 11801 Ed.2.2: 2011-06 DIN EN 50173-2: 2011-09 TIA/EIA 568-C |
| Industrial area | ISO/IEC 24702 DIN EN 50173-3: 2011-09 TIA/EIA 1005 |
| Living units | ISO/IEC 15018 DIN EN 50173-4: 2011-09 TIA/EIA 570-B |
| Application-specific communications cabling systems | |
| Profinet | yes |
| Expansion of Communication Circuit Accessories (DUXR) Category | UL 1863 |
| Connectors for electronic equipment | |
| Free and fixed connectors | DIN EN 60603-7-51:2011-01 |
| Interference proof | |
| Immunity for industrial environments | DIN EN 61000-6-2:2006-03 |
| Emission proof | |
| Electromagnetic emission for residential, commercial and light-industrial environments | DIN EN 61000-6-3:2011-09 |
| Climate tests | IEC 60512-11 |

Classifications

| | |
|----------|----------|
| ETIM 5.0 | EC001121 |
| ETIM 6.0 | EC001121 |

Packing details

| | |
|---------------------------------|----------------------------|
| Type of packaging | 10 pc(s) / box |
| Packaging unit - Weight (gram) | 250.00 g |
| Packaging unit - Weight (pound) | 0.55 lb |
| Packaging dimension (W x H x D) | 247.00 x 161.00 x 58.00 mm |
| Packaging dimension (W x H x D) | 9.724 x 6.339 x 2.283 in. |

Data sheet

Page 6/7

E-DAT Industry RJ45 field plug black Cat.6 Class E_A

P/N

1401405012-I

EAN 4250184113881

2017-19-12

Accessories

| P/N | Designation |
|--------------|--|
| 1401009101-I | Industry color coding clip field plug orange |
| 1401009103-I | Industry color coding clip field plug light grey |
| 1401009104-I | Industry color coding clip field plug white |
| 1401009105-I | Industry color coding clip field plug yellow |
| 1401009106-I | Industry color coding clip field plug blue |
| 1401009107-I | Industry color coding clip field plug green |



Illustrations

Dimensional drawing

