

# Panel feed-through - SACC-E-M12FS-8CON-PG9/1,0 VAPO



1401205

<https://www.phoenixcontact.com/pc/products/1401205>

Please be informed that the data shown in this PDF document is generated from our Online Catalog. Please find the complete data in the user documentation. Our General Terms of Use for Downloads are valid.

---



Sensor/actuator flush-type socket, 8-pos., M12, front/screw mounting with Pg9 thread, with 1 m TPE litz wire, 8 x 0.25 mm<sup>2</sup>, high-grade steel version, molded version

---

# Panel feed-through - SACC-E-M12FS-8CON-PG9/1,0 VAPO



1401205

<https://www.phoenixcontact.com/pc/products/1401205>

## Commercial Data

Item number	1401205
Packing unit	1 pc
Minimum order quantity	1 pc
Note	Made to Order (non-returnable)
Product Key	ABQCDB
GTIN	4046356538237
Weight per Piece (including packing)	40.4 g
Weight per Piece (excluding packing)	40.4 g
Customs tariff number	85366990
Country of origin	DE

# Panel feed-through - SACC-E-M12FS-8CON-PG9/1,0 VAPO



1401205

<https://www.phoenixcontact.com/pc/products/1401205>

## Technical Data

### Product properties

Product type	Circular connectors (device side)
Number of positions	8
No. of cable outlets	1
Shielded	no
Coding	A - standard

### Insulation characteristics

Overvoltage category	II
Degree of pollution	3

### Ambient conditions

Degree of protection	IP65/IP67/IP69/IP69K
Degree of protection	IP65/IP67/IP69K
Ambient temperature (operation)	-25 °C ... 85 °C (Plug / socket) -25 °C ... 90 °C (cable, fixed installation)

### Connector

#### Header 1

Head thread type	M12
------------------	-----

### Electrical properties

Contact resistance	$\leq 3 \text{ m}\Omega$
Insulation resistance	$> 100 \text{ M}\Omega$
Nominal voltage $U_N$	30 V
Nominal current $I_N$	2 A

### Material specifications

Flammability rating according to UL 94	V0
Sealing material	FKM
Contact material	CuZn
Contact surface material	Au
Contact carrier material	PA66 GF
Cable gland material	Stainless steel

### Mounting

Mounting type	Front mounting, Pg9 thread
---------------	----------------------------

### Cable / line

Cable length	1 m
--------------	-----

### Cable structure

# Panel feed-through - SACC-E-M12FS-8CON-PG9/1,0 VAPO



1401205

<https://www.phoenixcontact.com/pc/products/1401205>

Cable type	TPE litz wire
Conductor material	Tin-plated Cu litz wires
Conductor structure signal line	14x 0.15 mm
AWG signal line	24
Material wire insulation	TPE
Thickness, insulation	0.21 mm
Wire diameter incl. insulation	1.15 mm $\pm$ 0.07 mm
Single wire, color	Brown, blue, white, gray, pink, green, yellow, red

## Electrical properties

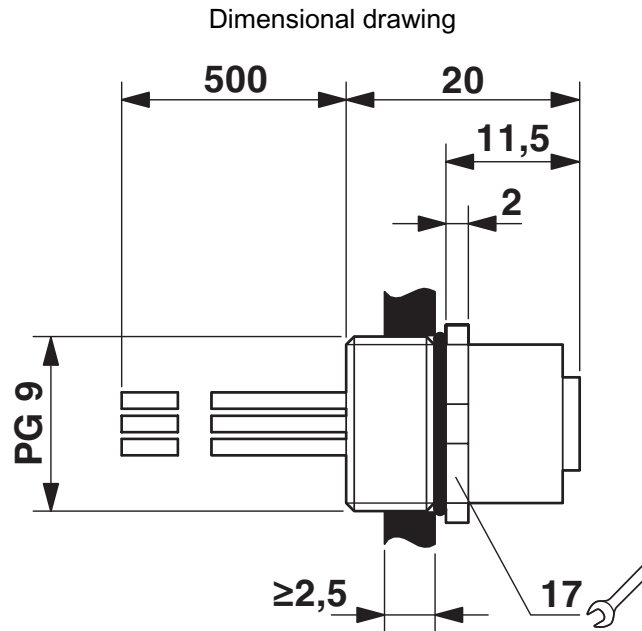
Nominal voltage, cable	300 V
Test voltage, cable	2000 V AC
Conductor resistance	$\leq 80 \Omega/\text{km}$
Cable insulation resistance	$\geq 20 \text{ M}\Omega \cdot \text{km}$

# Panel feed-through - SACC-E-M12FS-8CON-PG9/1,0 VAPO

1401205

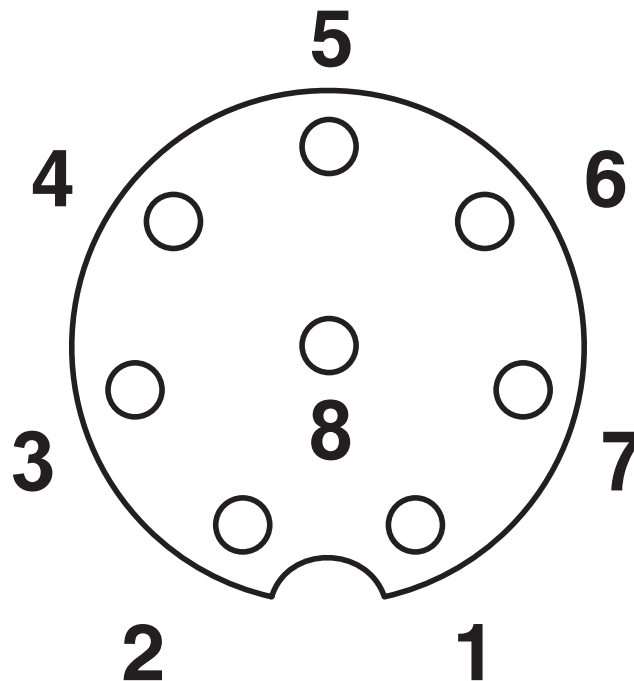
<https://www.phoenixcontact.com/pc/products/1401205>

## Drawings



M12 flush-type connector

Schematic diagram



Pin assignment M12 socket, 8-pos., A-coded, view female side

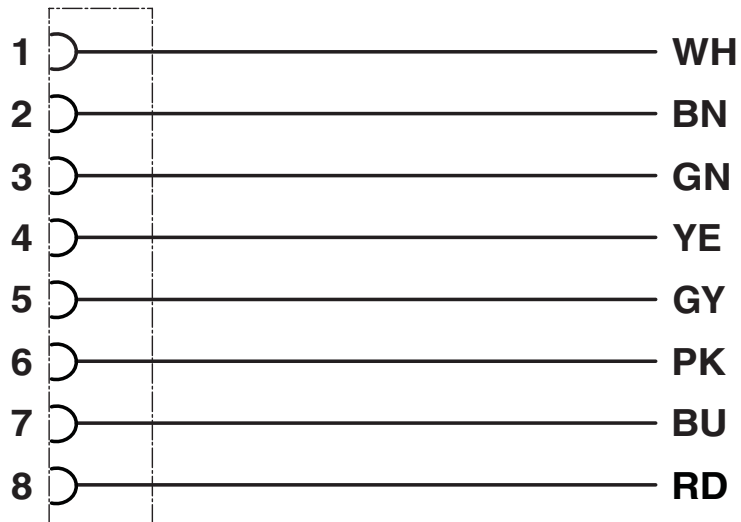
# Panel feed-through - SACC-E-M12FS-8CON-PG9/1,0 VAPO



1401205

<https://www.phoenixcontact.com/pc/products/1401205>

Circuit diagram



Contact assignment of the M12 plug and the M12 socket


# Panel feed-through - SACC-E-M12FS-8CON-PG9/1,0 VAPO




1401205

<https://www.phoenixcontact.com/pc/products/1401205>

## Approvals

	<b>UL Recognized</b> Approval ID: FILE E 118976			
	Nominal Voltage $U_N$	Nominal Current $I_N$	Cross Section AWG	Cross Section $\text{mm}^2$
	30 V	2 A	- 24	-

	<b>EAC</b> Approval ID: B.01687
---	------------------------------------

# Panel feed-through - SACC-E-M12FS-8CON-PG9/1,0 VAPO



1401205

<https://www.phoenixcontact.com/pc/products/1401205>

## Classifications

### ECLASS

ECLASS-9.0	27440102
ECLASS-10.0.1	27440102
ECLASS-11.0	27440102

### ETIM

ETIM 8.0	EC002635
----------	----------

### UNSPSC

UNSPSC 21.0	39121400
-------------	----------

# Panel feed-through - SACC-E-M12FS-8CON-PG9/1,0 VAPO



1401205

<https://www.phoenixcontact.com/pc/products/1401205>

## Environmental Product Compliance

REACH SVHC	Lead 7439-92-1
China RoHS	Environmentally Friendly Use Period = 50 years
	For information on hazardous substances, refer to the manufacturer's declaration available under "Downloads"

Phoenix Contact 2022 © - all rights reserved

<https://www.phoenixcontact.com>

PHOENIX CONTACT GmbH & Co. KG

Flachsmarktstraße 8

D-32825 Blomberg

+49 (0) 5235-3 00

[info@phoenixcontact.com](mailto:info@phoenixcontact.com)