

1393436-4 ✓ ACTIVE

AMP

TE Internal #: 1393436-4

Housing for Female Terminals, Wire-to-Board / Wire-to-Wire, 28  
Position, .169 in [4.3 mm] Centerline, Sealable, Black, Wire & Cable,  
Signal

[View on TE.com >](#)



Connectors > Automotive Connectors > Automotive Housings



Connector System: **Wire-to-Board, Wire-to-Wire**

Number of Positions: **28**

Connector & Housing Type: **Housing for Female Terminals**

Centerline (Pitch): **4.3 mm [ .169 in ]**

Sealable: **Yes**

## Features

### Product Type Features

Mixed & Hybrid Connector	No
Connector Shape	Rectangular
Connector System	Wire-to-Board, Wire-to-Wire
Connector & Housing Type	Housing for Female Terminals
Sealable	Yes
Connector & Contact Terminates To	Wire & Cable
Primary Locking Feature	On the Terminal

### Configuration Features

Number of Positions	28
Number of Rows	4

### Electrical Characteristics

Nominal Voltage Architecture	12 V
------------------------------	------

### Body Features

Cable Exit Angle	90°
Primary Product Color	Black
Connector & Keying Code	Neutral

### Contact Features

Contact Size	.64mm
--------------	-------



Contact Type	Receptacle
--------------	------------

Mating Tab Width	.64 mm[.025 in]
------------------	-----------------

Contact Current Rating (Max)	7.5 A
------------------------------	-------

#### Mechanical Attachment

Connector Mounting Type	Cable Mount (Free-Hanging)
-------------------------	----------------------------

#### Housing Features

Housing Material	PBT GF
------------------	--------

Centerline (Pitch)	4.3 mm[.169 in]
--------------------	-----------------

#### Dimensions

Row-to-Row Spacing	3.6 mm, 4 mm[.141 in][.157 in]
--------------------	--------------------------------

#### Usage Conditions

Operating Temperature (Max)	70 °C, 75 °C, 80 °C, 85 °C, 90 °C, 100 °C [158 °F][167 °F][176 °F][185 °F][194 °F][212 °F]
-----------------------------	---

Operating Temperature Range	-40 – 120 °C[-40 – 248 °F]
-----------------------------	----------------------------

#### Operation/Application

Circuit Application	Signal
---------------------	--------

#### Packaging Features

Packaging Quantity	300
--------------------	-----

Packaging Method	Box
------------------	-----

#### Other

Serviceable	Yes
-------------	-----

Connector Position Assurance Capable	No
--------------------------------------	----

#### Product Compliance

[For compliance documentation, visit the product page on TE.com>](#)

EU RoHS Directive 2011/65/EU	Compliant
------------------------------	-----------

EU ELV Directive 2000/53/EC	Compliant
-----------------------------	-----------

China RoHS 2 Directive MIIT Order No 32, 2016	No Restricted Materials Above Threshold
---	---




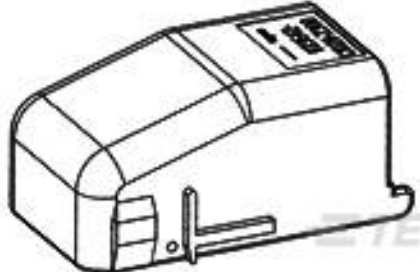




EU REACH Regulation (EC) No. 1907/2006	Current ECHA Candidate List: JUNE 2023 (235) Candidate List Declared Against: JUNE 2022 (224) Does not contain REACH SVHC
--	---

Halogen Content	Low Halogen - Br, Cl, F, I < 900 ppm per homogenous material. Also BFR/CFR/PVC Free
Solder Process Capability	Not applicable for solder process capability

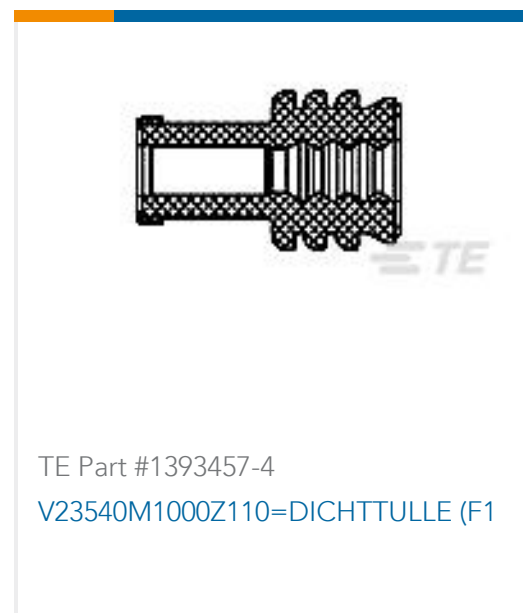
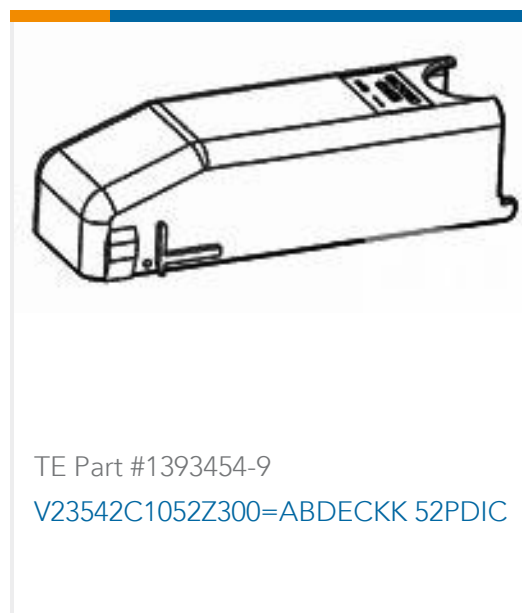
Product Compliance Disclaimer

This information is provided based on reasonable inquiry of our suppliers and represents our current actual knowledge based on the information they provided. This information is subject to change. The part numbers that TE has identified as EU RoHS compliant have a maximum concentration of 0.1% by weight in homogenous materials for lead, hexavalent chromium, mercury, PBB, PBDE, DBP, BBP, DEHP, DIBP, and 0.01% for cadmium, or qualify for an exemption to these limits as defined in the Annexes of Directive 2011/65/EU (RoHS2). Finished electrical and electronic equipment products will be CE marked as required by Directive 2011/65/EU. Components may not be CE marked. Additionally, the part numbers that TE has identified as EU ELV compliant have a maximum concentration of 0.1% by weight in homogenous materials for lead, hexavalent chromium, and mercury, and 0.01% for cadmium, or qualify for an exemption to these limits as defined in the Annexes of Directive 2000/53/EC (ELV). Regarding the REACH Regulation, the information TE provides on SVHC in articles for this part number is based on the latest European Chemicals Agency (ECHA) 'Guidance on requirements for substances in articles' posted at this URL: <https://echa.europa.eu/guidance-documents/guidance-on-reach>

### Compatible Parts

 <p>TE Part # 963531-1 BLINDSTOPFEN</p>	 <p>TE Part # 963530-1 EINZELLEITERDICHTNG</p>	 <p>TE Part # 964971-1 EINZELLEITERDICHTNG</p>	 <p>TE Part # 1393454-5 V23542C1028Z300=ABDECKK 28PDIC</p>
 <p>TE Part # 2-1411573-1 ELOGED F5700Y75</p>	 <p>TE Part # 2151388-1 OCEAN_2.0_Applicator-S-062F1200</p>	 <p>TE Part # 2836345-1 OCEAN_2.0_Applicator-S-055F1200</p>	 <p>TE Part # 8-1393476-0 PIN HEADER 80P WITH PIN GUIDE</p>
<p>TE Part # 1412495-1 C23372A 13C330=28 POL RADIALD</p>	<p>TE Part # 4-1411572-1 ELOGEDR X5600Y75</p>		

### Customers Also Bought



## Documents

### Product Drawings

[V23542C1028B300=KABELBAUMST. 8](#)

English

[V23542C1028B300=KABELBAUMST. 8](#)

English

### CAD Files

Customer View Model

[ENG\\_CVM\\_CVM\\_1393436-4\\_A.2d\\_dxf.zip](#)

English

3D PDF

3D

Customer View Model

[ENG\\_CVM\\_CVM\\_1393436-4\\_A.3d\\_igs.zip](#)

English

Customer View Model

[ENG\\_CVM\\_CVM\\_1393436-4\\_A.3d\\_stp.zip](#)

English

1393436-4

Housing for Female Terminals, Wire-to-Board / Wire-to-Wire, 28 Position, .169 in [4.3 mm] Centerline, Sealable, Black, Wire & Cable, Signal

