

IE-PCB2-M12X-S-180

Weidmüller Interface GmbH & Co. KG
Klingenbergstraße 26
D-32758 Detmold
Germany

www.weidmueller.com



General ordering data

Version	PCB plug-in connector, M12, Solder connection, Cat.6A / Class EA (ISO/IEC 11801 2010), IP67, when screwed in, Reflow compatible, 2-part
Order No.	1393080000
Type	IE-PCB2-M12X-S-180
GTIN (EAN)	4050118194043
Qty.	10 pc(s).

Creation date March 12, 2024 5:48:47 PM CET

Catalogue status 09.03.2024 / We reserve the right to make technical changes.

IE-PCB2-M12X-S-180

Weidmüller Interface GmbH & Co. KG

Klingenbergstraße 26

D-32758 Detmold

Germany

www.weidmueller.com

Technical data

Dimensions and weights

Wall thickness, min.	0.9 mm	Wall thickness, max.	2.5 mm
Net weight	11.7 g		

Temperatures

Operating temperature	-40 °C...85 °C
-----------------------	----------------

Technical data of PCB plug-in connector

Coding	X-coded	Number of poles	8
Rated voltage	48 V	Protection degree	IP67, when screwed in
Contact surface	Gold over nickel	Housing main material	CuZn
Connection thread	M12	Insulation strength	100 MΩ
Plugging cycles	≥ 100	Contact material	Cu-alloy

General Info

Number of poles	8	Connection 1	M12
Connection 2	Solder connection	Configuration	Reflow compatible
Housing main material	CuZn	Category	Cat.6A / Class EA (ISO/IEC 11801 2010)
Connection thread	M12	Contact material	Cu-alloy
Contact surface	Gold over nickel	Shielding material	CuSn
Shielding	360° all-round enclosure	Protection degree	IP67, when screwed in
Plugging cycles	≥ 100		

Classifications

ETIM 6.0	EC002638	ETIM 7.0	EC003568
ETIM 8.0	EC003568	ETIM 9.0	EC003568
ECLASS 9.0	27-44-03-09	ECLASS 9.1	27-44-03-09
ECLASS 10.0	27-44-03-09	ECLASS 11.0	27-44-01-10
ECLASS 12.0	27-44-01-10	ECLASS 13.0	27-44-01-10

Environmental Product Compliance

REACH SVHC	Lead 7439-92-1
SCIP	67cf1078-beca-4687-860b-dc475a6ec24a

Approvals

Approvals



ROHS	Conform
UL File Number Search	UL Website
Certificate no. (cULus)	E316369

IE-PCB2-M12X-S-180**Weidmüller Interface GmbH & Co. KG**

Klingenbergstraße 26

D-32758 Detmold

Germany

www.weidmueller.com**Technical data****Downloads**

Approval/Certificate/Document of Conformity	DUXR.E316369 CC Link IE Field M12-X PROFINET Manufacturer's Declaration
Engineering Data	CAD data – STEP
User Documentation	MAN IE GUIDE DE MAN IE GUIDE EN
Catalogues	Catalogues in PDF-format
Brochures	MB FREECONTACT EN FL FIELDWIRING EN PI PROFINET CABLING EN FL FIELDWIRING EN PI PROFINET CABLING EN

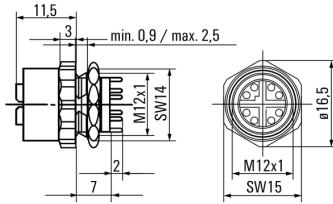
IE-PCB2-M12X-S-180

Weidmüller Interface GmbH & Co. KG
 Klingenbergstraße 26
 D-32758 Detmold
 Germany

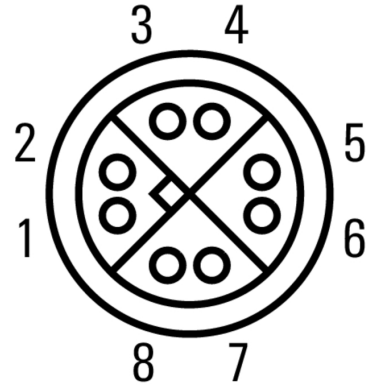
www.weidmueller.com

Drawings

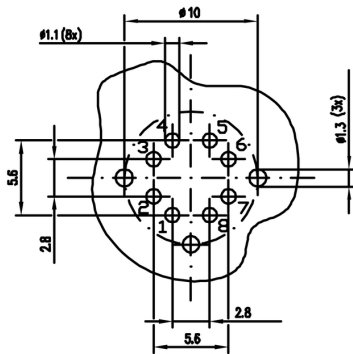
Dimensioned drawing



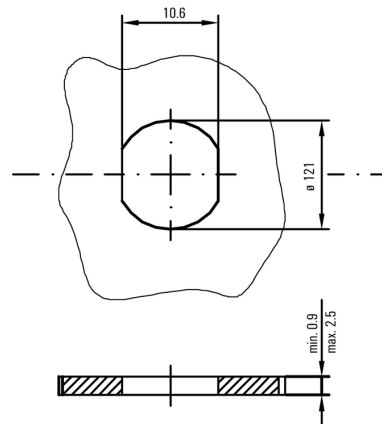
Pinning



Drilling template



Installation cut-out



IE-PCB2-M12X-S-180

Weidmüller Interface GmbH & Co. KG

Klingenbergstraße 26

D-32758 Detmold

Germany

www.weidmueller.com

Accessories

Screwty® cable gland tool with torque function



The ideal tool for any application

Screwty® is the ideal, all-purpose tool for tightening all common sensor and actuator cables. Even difficult-to-reach round plugs are accessible using the Screwty®. A simple turning movement tightens and loosens the connectors without the need for excessive force. The Screwty® is a unique and global solution since it fits with most cables and plugs from other vendors (over 90 %). The Screwty® consists of a handle with a conventional 1/4" adapter. Thus it can be used for all sizes: for M12 and M8 round plug-in connectors, and for M12F and M8F customisable plugs and sockets, as well as for all M23 plugs and sockets.

General ordering data

Type	SCREWTY-M12 F-DM	Version	Packaging
Order No.	1900021000	Cable gland tool for M12 connectors	Cardboard box
GTIN (EAN)	4032248436828		
Qty.	1 pc(s).		
Type	SCREWTY SET -DM	Version	Packaging
Order No.	1920000000	Cable gland tool for M8, M12 lines and connectors	Cardboard box
GTIN (EAN)	4032248436859		
Qty.	1 pc(s).		

Screwty® cable gland tool



The ideal tool for any application

Screwty® is the ideal, all-purpose tool for tightening all common sensor and actuator cables. Even difficult-to-reach round plugs are accessible using the Screwty®. A simple turning movement tightens and loosens the connectors without the need for excessive force. The Screwty® is a unique and global solution since it fits with most cables and plugs from other vendors (over 90 %). The Screwty® consists of a handle with a conventional 1/4" adapter. Thus it can be used for all sizes: for M12 and M8 round plug-in connectors, and for M12F and M8F customisable plugs and sockets, as well as for all M23 plugs and sockets.

General ordering data

Type	SCREWTY SET	Version	Packaging
Order No.	1910000000	Cable gland tool for M8, M12 lines and connectors	Cardboard box
GTIN (EAN)	4032248436842		
Qty.	1 pc(s).		
Type	SCREWTY- M12 F	Version	Packaging
Order No.	1900020000	Cable gland tool for M12 connectors	Cardboard box
GTIN (EAN)	4032248375851		
Qty.	1 pc(s).		