

1375870-3 ✓ ACTIVE

AMPMODU | AMPMODU MICRO

TE Internal #: 1375870-3

PCB Mount Receptacle, Vertical, Wire-to-Board, 10 Position, .8 mm
[.031 in] Centerline, Gold, Surface Mount, Signal, Natural, Reel,
AMPMODU MICRO

[View on TE.com >](#)



Connectors > PCB Connectors > PCB Headers & Receptacles



Connector System: **Wire-to-Board**

Number of Positions: **10**

Number of Rows: **2**

Centerline (Pitch): **.8 mm [.031 in]**

PCB Mount Orientation: **Vertical**

Features

Product Type Features

| | |
|-----------------------------------|-----------------------|
| Connector System | Wire-to-Board |
| Sealable | No |
| Connector & Contact Terminates To | Printed Circuit Board |
| PCB Connector Assembly Type | PCB Mount Receptacle |

Configuration Features

| | |
|-----------------------|----------|
| Number of Positions | 10 |
| Number of Rows | 2 |
| PCB Mount Orientation | Vertical |

Electrical Characteristics

| | |
|---------------------------------------|--------|
| Insulation Resistance | 500 MΩ |
| Dielectric Withstanding Voltage (Max) | 250 V |
| Operating Voltage | 30 VAC |

Body Features

| | |
|-----------------------|---------|
| Primary Product Color | Natural |
|-----------------------|---------|

Contact Features

| | |
|---|------------------------------|
| PCB Contact Termination Area Plating Material Thickness | .13 – .2 μm[5.12 – 7.87 μin] |
| Contact Layout | Matrix |
| Contact Underplating Material Thickness | 1.27 μm[50 μin] |



| | |
|--|--|
| Contact Mating Area Plating Material Thickness | .76 μm [30 μin] |
| Contact Mating Area Plating Material Finish | Bright |
| Contact Underplating Material | Nickel |
| PCB Contact Termination Area Plating Material | Gold |
| Contact Base Material | Phosphor Bronze |
| Contact Mating Area Plating Material | Gold |
| Contact Type | Receptacle |
| Contact Current Rating (Max) | 1 A |

Termination Features

| | |
|---|-----------------|
| Rectangular Termination Post & Tail Thickness | .15 mm[.006 in] |
| Rectangular Termination Post & Tail Width | .4 mm[.016 in] |
| Termination Method to Printed Circuit Board | Surface Mount |

Mechanical Attachment

| | |
|--------------------------|--------------|
| PCB Mount Alignment Type | Polarization |
| Mating Alignment Type | Polarization |
| Mating Retention | Without |
| PCB Mount Retention Type | Boardlock |
| Connector Mounting Type | Board Mount |
| Mating Alignment | With |
| PCB Mount Alignment | With |
| PCB Mount Retention | With |

Housing Features

| | |
|--------------------|------------------------------|
| Housing Material | LCP (Liquid Crystal Polymer) |
| Centerline (Pitch) | .8 mm[.031 in] |

Dimensions

| | |
|-------------------------|------------------|
| Connector Length | 7.35 mm[.289 in] |
| Connector Height | 5 mm[.196 in] |
| Profile Height from PCB | 5 mm[.196 in] |
| Row-to-Row Spacing | 2.6 mm[.1 in] |

Usage Conditions

| | |
|-----------------------------|---|
| Operating Temperature Range | -55 – 85 $^{\circ}\text{C}$ [-67 – 185 $^{\circ}\text{F}$] |
|-----------------------------|---|

Operation/Application



| | |
|---------------------|--------|
| Circuit Application | Signal |
|---------------------|--------|

Industry Standards

| | |
|---|-----------|
| Compatible With Agency/Standards Products | UL |
| Compatible With Approved Standards Products | UL E28476 |
| UL Flammability Rating | UL 94V-0 |

Packaging Features

| | |
|--------------------|------|
| Packaging Quantity | 750 |
| Packaging Method | Reel |

Product Compliance

[For compliance documentation, visit the product page on TE.com>](#)

| | |
|---|--|
| EU RoHS Directive 2011/65/EU | Not Compliant |
| EU ELV Directive 2000/53/EC | Not Compliant |
| China RoHS 2 Directive MIIT Order No 32, 2016 | Restricted Materials Above Threshold |
| EU REACH Regulation (EC) No. 1907/2006 | Current ECHA Candidate List: JUNE 2024 (241) Candidate List Declared Against: JAN 2024 (240) SVHC > Threshold: Pb (13% in Component Part) Article Safe Usage Statements: Do not eat, drink or smoke when using this product. Wash thoroughly after handling. Recycle if possible and dispose of the article by following all applicable governmental regulations relevant to your geographic location. |
| Halogen Content | Low Halogen - Br, Cl, F, I < 900 ppm per homogenous material. Also BFR/CFR/PVC Free |
| Solder Process Capability | Reflow solder capable to 260°C |

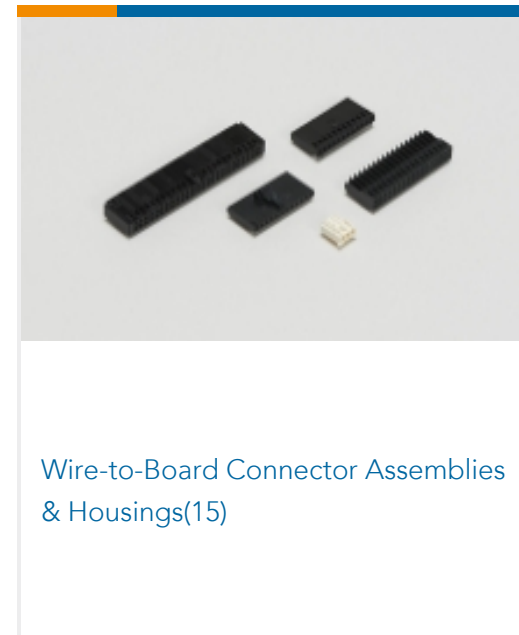
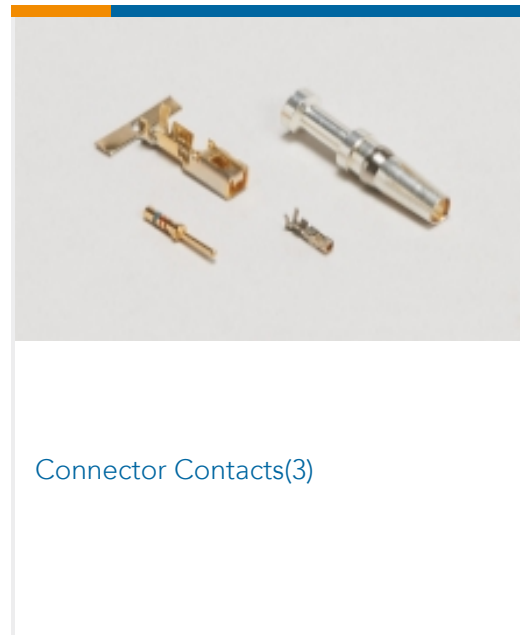
Product Compliance Disclaimer

This information is provided based on reasonable inquiry of our suppliers and represents our current actual knowledge based on the information they provided. This information is subject to change. The part numbers that TE has identified as EU RoHS compliant have a maximum concentration of 0.1% by weight in homogenous materials for lead, hexavalent chromium, mercury, PBB, PBDE, DBP, BBP, DEHP, DIBP, and 0.01% for cadmium, or qualify for an exemption to these limits as defined in the Annexes of Directive 2011/65/EU (RoHS2). Finished electrical and electronic equipment products will be CE marked as required by Directive 2011/65/EU. Components may not be CE marked. Additionally, the part numbers that TE has identified as EU ELV compliant have a maximum concentration of 0.1% by weight in homogenous materials for lead, hexavalent chromium, and mercury, and 0.01% for cadmium, or qualify for an exemption to these limits as defined in the Annexes of Directive 2000/53/EC (ELV). Regarding the REACH Regulation, the information TE provides on SVHC in articles for this part number is based on the latest European Chemicals Agency (ECHA) 'Guidance on requirements for substances in articles' posted at this URL: <https://echa.europa.eu/guidance-documents/guidance-on-reach>

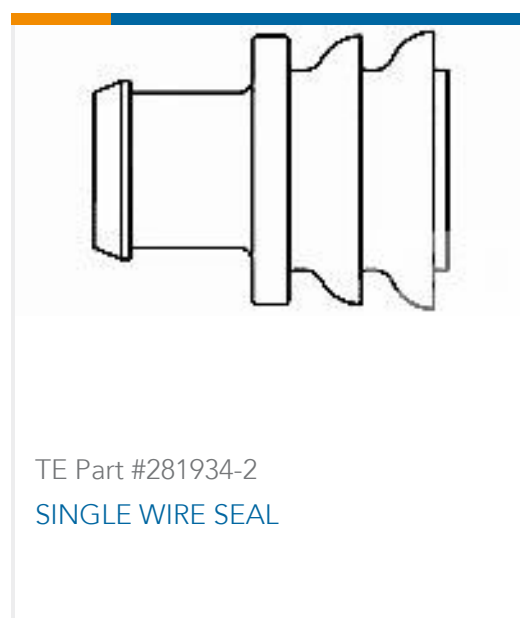
Compatible Parts



Also in the Series | AMPMODU MICRO



Customers Also Bought



Documents

Product Drawings

[RCPT ASSY,10 POS,VERT,0.8MM MI](#)

English

CAD Files

[Customer View Model](#)

[ENG_CVM_1375870-3_B.2d_dxf.zip](#)



English

Customer View Model

[ENG_CVM_1375870-3_B.3d_igs.zip](#)

English

Customer View Model

[ENG_CVM_1375870-3_B.3d_stp.zip](#)

English

3D PDF

English

By downloading the CAD file I accept and agree to the [Terms and Conditions](#) of use.

Product Specifications

Application Specification

English

Agency Approvals

Agency Approval Document

English