

# Hybrid and Electric Vehicle Connection Systems Portfolio Selected for the Distribution Channel



**DELPHI**  
Innovation for the Real World

## Vehicle electrification is a reality.

Driven by rising fuel costs, environmental concerns and a combination of government regulations and incentives, the market for EVs (Electric Vehicles) and HEVs (Hybrid Electric Vehicles) is now becoming a reality. Vehicle specifications and infrastructure deployment have reached a certain level of industrialization.

Standards have already been established for vehicle charging interfaces used on plug in HEVs and EVs. There are three standards used throughout the world including SAE J1772 in North America and Japan, IEC62196 Type II in Europe, and GB/T 20234 in China. In addition, SAE has established a common footprint for DC (Direct Current) fast charging in North America and Europe. Delphi offers a complete line of all global charging standards.

Delphi is currently driving the innovations required for future multivoltage architectures. Our research and development teams have leveraged the lessons learned from the collaboration with OEM's to focus on technological excellence and to provide real-life electrification performance.

With a unique expertise in architecture optimization and systems integration, the company has created one of the most comprehensive portfolios of high power connection systems.

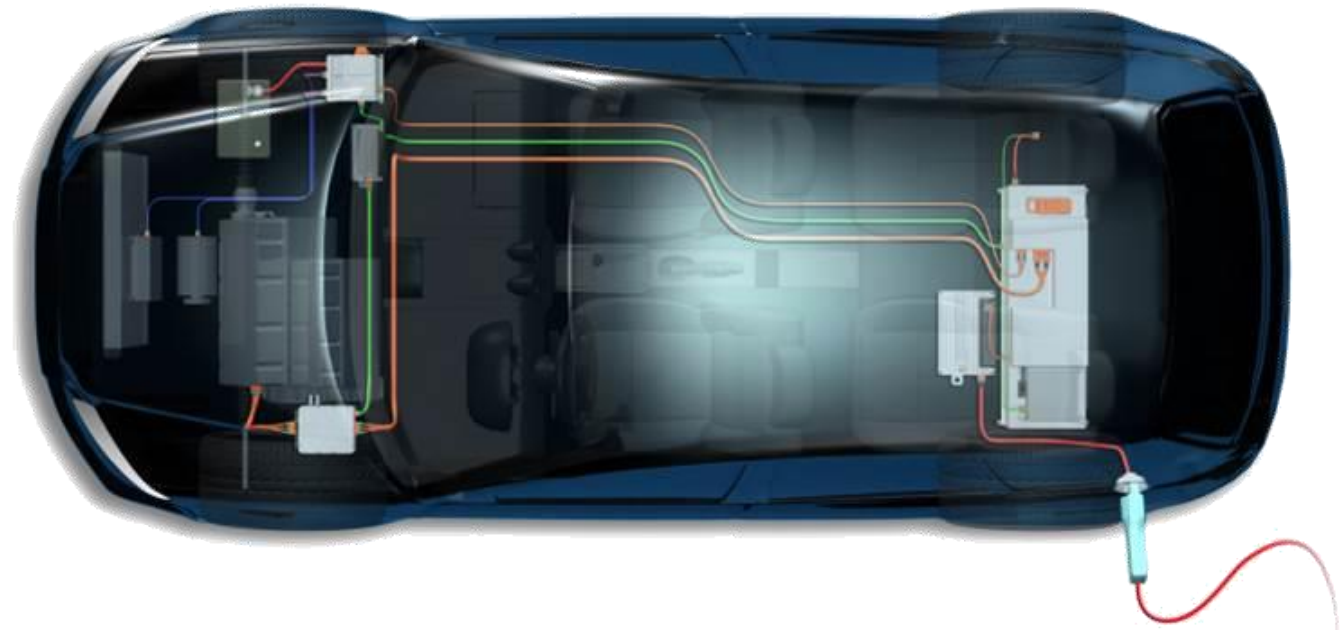
## A world of electrification.

Delphi has been researching and developing safe, reliable and high performance products for vehicle electrification for more than 20 years.

Delphi believes that in order for hybrid and electric vehicles to become mainstream, they need to be made accessible and practical for the average consumer.

Hybrid and electric vehicles present unique challenges when it comes to electrical architecture.

They demand performance requirements including shielding to protect against electromagnetic interference, sealing to prevent short circuits, and management of a hazardous voltage interlock loop, or HVIL. To help keep drivers and service technicians safe in High Voltage environments, a number of complex factors in the electrical system must be addressed and engineered for reliability and peak performance.



### About Delphi

Delphi Automotive PLC (NYSE: DLPH) is a leading global supplier of technologies for the automotive and commercial vehicle markets. Headquartered in Gillingham, England, Delphi operates major technical centers, manufacturing sites and customer support services in 32 countries, with regional headquarters in Bascharage, Luxembourg; São Paulo, Brazil; Shanghai, China and Troy, Michigan, U.S. Delphi delivers innovation for the real world with technologies that make cars and trucks safer as well as more powerful, efficient and connected. Visit [www.delphi.com](http://www.delphi.com)

# Table of contents

<b>Shield-Pack™ HV280</b> <b>2 Piece Header with Pluggable Inner Connector</b>	<b>4</b>	<b>Power Pack 2000</b> <b>1 Way Device and Pass-Through Connectors</b>	<b>13</b>
<b>APEX® HV280</b> <b>2 way Connection System with HVIL</b>	<b>5</b>	<b>Charge Inlet</b> <b>Level 1 &amp; 2 Vehicle Charging Inlet</b>	<b>14</b>
<b>On-Board Charger Connector Level 1 / Level 2</b> <b>6 way Device Connection System</b>	<b>6-7</b>	<b>Charge Inlet</b> <b>Type II Vehicle Charging Inlet</b>	<b>15</b>
<b>APEX® 950 On-Board Charger Connector</b> <b>4 + 1 Way Connection System with HVIL</b>	<b>8</b>	<b>Charge Coupler Connector Pigtails</b>	<b>16</b>
<b>RCS800 High Voltage</b> <b>2 Way Connection System with HVIL</b>	<b>9</b>	<b>Charge Plug Mode 3 Jumpers</b>	<b>17</b>
<b>RCS890 High Voltage</b> <b>2 Way Right Angle Connection System with HVIL</b>	<b>10</b>	<b>Charge plug mode 2 assembly (with ICCB)</b>	<b>18</b>
<b>Shield-Pack™ HV1000</b> <b>3 way Panel Mount Connection System</b>	<b>11</b>	<b>Dimensions</b>	<b>19-25</b>
<b>Power Pack 2000</b> <b>1 Way Inline Connectors</b>	<b>12</b>	<b>Cross Reference</b>	<b>26</b>

# Shield-Pack™ HV280

## 2 Piece Header with Pluggable Inner Connector



### Application

- Ideal for internal battery harnesses/high voltage connection system

### Performance

- Current capacity: 40A at 85°C
- Voltage: 600V
- Temperature range: -40°C to +125°C
- Sealing protection: IP67, IP6K9K
- Electrical protection: IP2XB

### Description

- Inner Connector with TPA can be plugged into header during device assembly
- Sealed connection system
- Panel mount to device with face seal
- Internal HVIL (shunt in harness connector)
- Two options available
- Two-stage locking system for HVIL time delay
- Toolless mating system
- Two HV power circuits (2.8 mm terminal)
- Flange size: 38 mm x 43 mm
- Finger proof/touch safe
- Cable range: 2 mm<sup>2</sup> to 5 mm<sup>2</sup> power circuit; 0.5 mm<sup>2</sup> HVIL circuit
- Three keys/indexes



Header & Inner connector Part number:

DPN	Key/index	Description
13954109	102	Shield-Pack HV280 2 piece header with Loose Inner connector
15526395	102	Inner connector

### Male Terminals

DPN	Description
13753470	2.8 Male terminal - 2.48-3.97 cable OD 1-2 mm <sup>2</sup>
13753471	2.8 Male terminal - 3-4.09 cable OD / 3 mm <sup>2</sup> -5mm <sup>2</sup> solder reqd
13790534	2.8 Male terminal - 3.40-5.24 cable OD / 4-5 mm <sup>2</sup>
15432235	HVIL terminal

### TPA

DPN	Description
15526390	TPA for 18mm creep

### Ferrule (for female connector only)

DPN	Description
13737698	Inner ferrule 2.57-2.87 cable OD / 14 gage (2mm <sup>2</sup> )
13737699	Inner ferrule 3.30-3.46 cable OD / 12 gage (3mm <sup>2</sup> )
13737700	Inner ferrule 3.84-4.09 cable OD / 10 ga (5mm <sup>2</sup> )
13737702	Outer Ferrule

Mating Part number:

DPN	Key/index	Description
13830159	102	Shield-Pack HV280 Internal HVIL Shunted - (tool required for disconnection)
33107347	102	Shield-Pack HV280 Internal HVIL Shunted - (no tool required)

### Female Terminals

DPN	Description
13882331	2.8 Female terminal - 4-5mm <sup>2</sup>
13799603	2.8 Female terminal - 1.5-2.5mm <sup>2</sup>

### Seal

DPN	Description
15513451	Cable seal LSR 10ga
15513452	Cable seal LSR 12ga
15513453	Cable seal LSR 14ga
15513454	Cable seal LSR 4mm <sup>2</sup> EU/PSA

### TPA

DPN	Description
13824780	TPA/seal retainer Cable 14 ga
13824779	TPA/seal retainer Cable 12 ga
13824778	TPA/seal retainer Cable 10 ga

# APEX® HV280

## 2 way Connection System with HVIL



### Application

- High voltage peripheral equipment connection system: Air conditioning, PTC, Charger

### Performance

- Current capacity: 35 A at 70°C
- Voltage: 1000V
- Temperature range: -40°C to +125°C
- Sealing protection: IP67, IPX9K
- Electrical protection: IP2XB

### Description

- Bundle shielding with external braid
- Dual sealing connection system: mated and unmated header
- Panel mount to device with face seal
- Unique integrated electric interlock
- HVIL shunted in harness connector
- Two-stage disconnect for safe unmating
- ErgoMate™ Axial Mating Assist System on harness connector
- Two HV power circuits (2.8 mm terminal)
- Flange size: 46 mm x 53 mm
- IP2XB Finger proof/touch safe
- Cable range: 2.5 to 4 mm<sup>2</sup> power circuit; 0.5 to 0.75 mm<sup>2</sup> HVIL circuit
- Two keys/indexes



### Header connector Part number:

DPN	Key/index	Description
F873110	1	APEX-280 2WAY HEADER CODE 1 BLACK
F973110	2	APEX-280 2WAY HEADER CODE 2 BROWN

### Male Terminals

DPN	Description
15516298	APEX 280 MALE TERMINAL 4 mm <sup>2</sup>
15509074	APEX 280 MALE TERMINAL 2.5 mm <sup>2</sup>
60100734	Interlock DCS2 1.5 gold-plated MALE TERMINAL 0,5-1,0 mm <sup>2</sup>
60100714	Interlock DCS2 1.5 gold-plated MALE TERMINAL 0,22-0,35 mm <sup>2</sup>

### Seal

DPN	Description
C302400	APEX 2.8 MALE & FEMALE SWS Red 4 mm <sup>2</sup>
C012400	APEX 2.8 MALE & FEMALE SWS 2.5 mm <sup>2</sup>
60993913	DCS 1.5 MALE RED SWS 0,22 - 0,5 mm <sup>2</sup>
60993928	DCS 1.5 MALE GREY SWS 0,75 - 1,0 mm <sup>2</sup>

### Mating Part number:

DPN	Key/index	Description
F083110	1	APEX-280 2WAY PLUG CODE 1 BLACK
F183110	2	APEX-280 2WAY PLUG CODE 2 BROWN

### Female Terminals

DPN	Description
10810733	APEX 2.8 FEMALE TERMINAL 4 mm <sup>2</sup>
13627267	APEX 2.8 FEMALE TERMINAL 2.5 mm <sup>2</sup>

### Seal

DPN	Description
C302400	APEX 2.8 MALE & FEMALE SWS Red 4 mm <sup>2</sup>
C012400	APEX 2.8 MALE & FEMALE SWS 2.5 mm <sup>2</sup>

# On-Board Charger Connector Level 1 / Level 2

## 6 way Device Connection System



### Application

- High voltage unshielded system for on-board charger applications (Level 1 and 2)

### Performance

- Current capacity: 30A at 85°C
- Voltage: 600V
- Temperature range: -40°C to +125°C
- Sealing protection: IP67, IP6K9K
- Electrical protection: IP2XB

### Description

- Sealed connection system
- Capability for four power circuits and two signal circuits
- Unshielded with terminal spacing for HV applications
- Two-stage locking system for electrical protection
- One-stage locking system also available
- Finger proof/touch safe
- Cable range: 2 mm<sup>2</sup> to 5 mm<sup>2</sup>
- Capable of multiple keys/indexes



### Header connector Part number:

DPN	Key/index	Description
13879038	101	On_board charger connector - (tool required for disconnection)
15543396	101	On_board charger connector - (no tool required)

### Male Terminals

DPN	Description
13663724	Male Terminal 1.0 HES Gold required .75-1.0mm <sup>2</sup>
13783283	Male Terminal 2.4 HES Gold required 2-3mm <sup>2</sup>
13783284	Male Terminal 2.4 HES Gold required 4-5mm <sup>2</sup>

### Mating Part number:

DPN	Key/index	Description
13879051	101	Level 1 harness connector (2+2) 2-2.5 mm <sup>2</sup>
13879050	101	Level 1 harness connector (3+2) 2 -2.5 mm <sup>2</sup>
13879049	101	Level 1 harness connector (4+2) 2-2.5 mm <sup>2</sup>
13879048	101	Level 2 harness connector (2+2) 4-5 mm <sup>2</sup>
13879047	101	Level 2 harness connector (3+2) 4-5 mm <sup>2</sup>
13879046	101	Level 2 harness connector (4+2) 4-5 mm <sup>2</sup>

### Female Terminals

DPN	Description
13663728	Female Terminal 1.0 HES Gold required .75-1.0mm <sup>2</sup>
13783300	Female Terminal 2.4 HES Gold required 2-3mm <sup>2</sup>
13783301	Female Terminal 2.4 HES Gold required 4-5mm <sup>2</sup>

# On-Board Charger Connector Level 1 / Level 2

## 6 way Inline Connection System



### Application

- Inline between inlet and on-board charger for cable routing (Level 1 and 2))

### Performance

- Current capacity: 30A at 85°C
- Voltage: 600V
- Temperature range: -40°C to +125°C
- Sealing protection: IP67, IP6K9K
- Electrical protection: IP2XB

### Description

- Sealed connection system
- Capability for four power circuits and two signal circuits
- Unshielded with terminal spacing for HV applications
- Two-stage locking system for electrical protection
- Finger proof/touch safe
- Cable range: 2 mm<sup>2</sup> to 5 mm<sup>2</sup>
- Capable of multiple keys/indexes



### Header connector Part number:

DPN	Key/index	Description
13990593	101	Level 1 harness connector (2+2)
13990592	101	Level 1 harness connector (3+2)
13990591	101	Level 1 harness connector (4+2)
13990590	101	Level 2 harness connector (2+2)
13990589	101	Level 2 harness connector (3+2)
13990588	101	Level 2 harness connector (4+2)

### Mating Part number:

DPN	Key/index	Description
13879051	101	Level 1 harness connector (2+2) 2-2.5 mm <sup>2</sup>
13879050	101	Level 1 harness connector (3+2) 2-2.5 mm <sup>2</sup>
13879049	101	Level 1 harness connector (4+2) 2-2.5 mm <sup>2</sup>
13879048	101	Level 2 harness connector (2+2) 4-5 mm <sup>2</sup>
13879047	101	Level 2 harness connector (3+2) 4-5 mm <sup>2</sup>
13879046	101	Level 2 harness connector (4+2) 4-5 mm <sup>2</sup>

### Male Terminals

DPN	Description
13663724	Male Terminal 1.0 HES Gold required .75-1.0mm <sup>2</sup>
13783283	Male Terminal 2.4 HES Gold required 2-3mm <sup>2</sup>
13783284	Male Terminal 2.4 HES Gold required 4-5mm <sup>2</sup>

### Female Terminals

DPN	Description
13663728	Female Terminal 1.0 HES Gold required .75-1.0mm <sup>2</sup>
13783300	Female Terminal 2.4 HES Gold required 2-3mm <sup>2</sup>
13783301	Female Terminal 2.4 HES Gold required 4-5mm <sup>2</sup>

# APEX® 950 On-Board Charger Connector

## 4 + 1 Way Connection System with HVIL



### Application

- High voltage unshielded system for on-board charger applications

### Performance

- Current capacity: 125A at 70°C
- Voltage: 750V
- Temperature range: -40°C to +125°C
- Sealing protection: IP67, IPX9K
- Electrical protection: IP2XB

### Description

- Sealed in mated or unmated position
- Unshielded 4 + 1 way connector
- Panel mount to device with face seal to module
- Unique integrated electric interlock
- HVIL shunted in harness connector
- ErgoMate™ slider for easy handling and reduced mating force
- 5 HV power circuits (four 9.5 mm and one 2.8 mm terminals)
- Flange size: 111 mm x 52 mm
- IP2XB Finger proof/touch safe
- Cable range: 10 to 16 mm<sup>2</sup> power circuit; 0.5 to 0.75 mm<sup>2</sup> electric interlock
- 1 key/index



### Header connector Part number:

DPN	Key/index	Description
33402137	1	APEX 950 Header connector Code 1

### Male Terminals

DPN	Description
F008900	APEX 950 Male Terminal 10 to 16mm <sup>2</sup>
15516298	APEX 280 MALE TERMINAL 4 mm <sup>2</sup>
60100734	Interlock DCS 1.5 Male Terminal AU Sealed 0.5 to 1 mm <sup>2</sup>

### Seals

DPN	Description
F128900	APEX 950 SWS wire size 16 mm <sup>2</sup>
F028900	APEX 950 SWS wire size 10 mm <sup>2</sup>
C302400	APEX 2.8 SWS
60993913	DCS 1.5 SWS red 0.22 to 0.5 mm <sup>2</sup>

### Mating Part number:

DPN	Key/index	Description
33402139	1	APEX 950 connector black Code 1

### Female Terminals

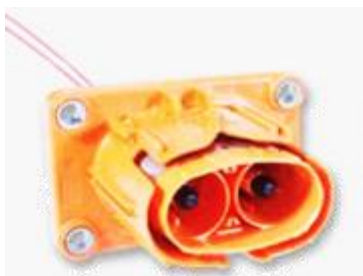
DPN	Description
F018900	APEX 950 Female Terminal 10 to 16mm <sup>2</sup>
10810733	APEX 2.8 FEMALE TERMINAL 4 mm <sup>2</sup>

### Seals

DPN	Description
F128900	APEX 950 SWS wire size 16 mm <sup>2</sup>
F028900	APEX 950 SWS wire size 10 mm <sup>2</sup>
C302400	APEX 2.8 SWS
60993913	DCS 1.5 SWS red 0.22 to 0.5 mm <sup>2</sup>

# RCS800 High Voltage

## 2 Way Connection System with HVIL



### Application

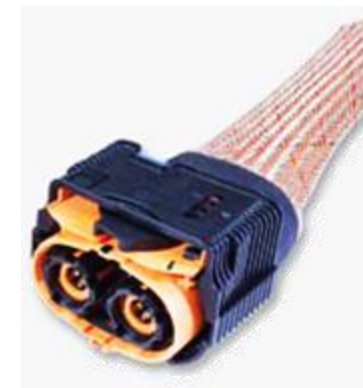
- High voltage/high current modules: inverter, battery, junction box, power electric box

### Performance

- Current capacity: 230 A at 70°C
- Voltage: 1000V
- Temperature range: -40°C to +125°C
- Sealing protection: IP67, IPX9K
- Electrical protection: IP2XB

### Description

- Bundle shielding with external braid
- Dual sealing connection system: mated and unmated header
- Panel mount to device with face seal to module
- Unique integrated electric interlock
- HVIL shunted in harness connector
- Two-stage disconnect for safe unmating
- ErgoMate™ Axial Mating Assist System on harness connector
- Two HV power circuits (8.0 mm round terminal)
- Flange size: 53 mm x 83 mm
- IP2XB Finger proof/touch safe
- Cable range: 35 to 50 mm<sup>2</sup> power circuit; 0.5 to 0.75 mm<sup>2</sup> HVIL circuit
- Two keys/indexes



### Header connector Part number:

DPN	Key/index	Description
F473110	1	RCS-800 2WAY HEADER CODE 1 BLACK
F573110	2	RCS-800 2WAY HEADER CODE 2 BBROWN

### Male Terminals

DPN	Description
F076600	RCS 800 MALE Bus Bar TERMINAL Silver version standard length
F176600	RCS 800 MALE Bus Bar TERMINAL Silver version V1 length
F276600	RCS 800 MALE Bus Bar TERMINAL Silver version V2 length
60100734	Interlock DCS2 1.5 gold-plated MALE TERMINAL 0,5-1,0 mm <sup>2</sup>

### Seal

DPN	Description
60993913	DCS 1.5 MALE RED SWS 0,22 - 0,5 mm <sup>2</sup>
60993928	DCS 1.5 MALE GREY SWS 0,75 - 1,0 mm <sup>2</sup>

### Mating Part number:

DPN	Key/index	Description
F673110	1	RCS-800 2WAY PLUG CODE 1 BLACK
F773110	2	RCS-800 2WAY PLUG CODE 2 BROWN

### Female Terminals

DPN	Description
F385400	RCS 800 FEMALE TERMINAL silver version 35 to 50 MM <sup>2</sup>
F527600	RCS 800 FEMALE RETAINER (PLUG)

### Seal

DPN	Description
F427600	RCS 800 FEMALE SWS 35-40 MM <sup>2</sup> (PLUG)
F327600	RCS 800 FEMALE SWS 50 MM <sup>2</sup> (PLUG)

# RCS890 High Voltage

## 2 Way Right Angle Connection System with HVIL



### Application

- High voltage/high current modules: inverter, battery, junction box, power electric box

### Performance

- Current capacity: 220A at 70°C
- Voltage: 1000V
- Temperature range: -40°C to +125°C
- Sealing protection: IP67, IPX9K
- Electrical protection: IP2XB

### Description

- Bundle shielding with external braid
- Dual sealing connection system: mated and unmated header
- Panel mount to device with face seal to module
- Unique integrated electric interlock
- HVIL shunted in harness connector
- Two-stage disconnect for safe unmating
- Slider Mating Assist System on harness connector
- Two HV power circuits (8.0 mm round terminal)
- Flange size: 51 mm x 62 mm
- IP2XB Finger proof/touch safe
- Cable range: 35 to 50 mm<sup>2</sup> power circuit; 0.5 to 0.75 mm<sup>2</sup> HVIL circuit
- One key/index



### Header connector Part number:

DPN	Key/index	Description
F722210	1	RCS-890 2-WAY HEADER CODE 1 BLACK

### Male Terminals

DPN	Description
F076600	RCS 800 MALE Bus Bar TERMINAL Silver version standard length
F176600	RCS 800 MALE Bus Bar TERMINAL Silver version V1 length
F276600	RCS 800 MALE Bus Bar TERMINAL Silver version V2 length
60001534	DCS2 1.5 gold-plated FEMALE TERMINAL 0.5 to 1.0 mm <sup>2</sup>

### Seal

DPN	Description
60993913	DCS 1.5 MALE RED SWS 0,22 - 0,5 mm <sup>2</sup>
60993928	DCS 1.5 MALE GREY SWS 0,75 - 1,0 mm <sup>2</sup>

### Mating Part number:

DPN	Key/index	Description
F922210	1	RCS-890 2-WAY PLUG CODE 1 BLACK

### Female Terminals

DPN	Description
F601010	RCS 890 FEMALE TERMINAL silver version 35 to 50 MM <sup>2</sup>

### Seal & retainer

DPN	Description
F232210	RCS 890 2-WAY FEMALE SWS & RETAINER (PLUG) 50 mm <sup>2</sup>
F132210	RCS 890 2-WAY FEMALE SWS & RETAINER (PLUG) 35-40 mm <sup>2</sup>

### Clamp

DPN	Description
F825010	RCS890 2-WAY HALF CLAMP

# Shield-Pack™ HV1000

## 3 way Panel Mount Connection System



### Application

- High voltage/high current devices (inverters)

### Performance

- Current capacity: 145A at 85°C
- Voltage: 600V
- Temperature range: -40°C to +125°C
- Sealing protection: IP67, IP6K9K
- Electrical protection: IP2XB female connector only

### Description

- High voltage panel mount connection system
- Three high voltage power circuits (Power Pack 1000 terminal)
- HVIL with five-second time delay
- Cable range: 16 to 25 mm<sup>2</sup> power circuit; 0.5 mm<sup>2</sup> HVIL circuit
- Two keys/indexes



### Header connector Part number:

DPN	Key/index	Description
13879064	101	Shield-Pack HV1000 3-way with HVIL

### Male Terminals

DPN	Description
13675579	Male term 19-25mm <sup>2</sup>

### Mating Part number:

DPN	Key/index	Description
13879062	101	Shield-Pack HV1000 3-way with HVIL
13738743	101	HVIL connector

### Female Terminals

DPN	Description
13675585	Female term 19-25mm <sup>2</sup>
13543114	OCS 1.2 female terminal 0.35-0.5 mm <sup>2</sup>

### Ferrule

DPN	Description
13828451	Inner ferrule 8.05-8.55 cable OD 25mm <sup>2</sup>
13828453	Outer Ferrule

### Seal

DPN	Description
13837482	Cable seal 10.05-10.55 OD

### TPA

DPN	Description
13889767	Strain relief 9.2 MAX OD
13889768	Strain relief 10.7 MAX OD
13837483	Stuffer / Secondary lock tower

# Power Pack 2000

## 1 Way Inline Connectors



### Application

- Inline connections up to 250A

### Performance

- Current capacity: 250A at 85°C
- Voltage: 12V
- Temperature range: -40°C to +125°C
- Sealing protection: IP67

### Description

- Sealed system
- Silver-plated, multi-contact terminal system
- Cable range: 19 mm<sup>2</sup> to 62 mm<sup>2</sup>
- One key/index



Male connector Part number:

DPN	Key/index	Description
13520909	0	PP2000 Male conn 1 way

Male Terminals

DPN	Description
13520914	TERM M PWR PACK 2000 SLD; 13mm <sup>2</sup> -19mm <sup>2</sup>
13523156	TERM M PWR PACK 2000 SLD; 32mm <sup>2</sup>
13523157	TERM M PWR PACK 2000 SLD; 40mm <sup>2</sup> -50mm <sup>2</sup>
13523158	TERM M PWR PACK 2000 SLD; 62mm <sup>2</sup>

Seal

DPN	Description
15411422	SEAL CBL 1W; 19mm <sup>2</sup>
15411421	SEAL CBL 1W; 32mm <sup>2</sup>
15411420	SEAL CBL 1W; 50mm <sup>2</sup>
15411419	SEAL CBL 1W; 62mm <sup>2</sup>

Lock TPA

DPN	Description
13520911	Lock TPA PWR PACK 19mm <sup>2</sup>
13523148	Lock TPA PWR PACK 32mm <sup>2</sup>
13523149	Lock TPA PWR PACK 50mm <sup>2</sup>
13523150	Lock TPA PWR PACK 62mm <sup>2</sup>

Mating Part number:

DPN	Key/index	Description
13520916	0	PP2000 Female conn 1 way

Female Terminals

DPN	Description
13520912	TERM F PWR PACK 2000 SLD; inline; 13mm <sup>2</sup> -19mm <sup>2</sup>
13523152	TERM F PWR PACK 2000 SLD; inline; 32mm <sup>2</sup>
13523153	TERM F PWR PACK 2000 SLD; inline; 40mm <sup>2</sup> -50mm <sup>2</sup>
13523154	TERM F PWR PACK 2000 SLD; inline; 62mm <sup>2</sup>

Seal

DPN	Description
15411422	SEAL CBL 1W; 19mm <sup>2</sup>
15411421	SEAL CBL 1W; 32mm <sup>2</sup>
15411420	SEAL CBL 1W; 50mm <sup>2</sup>
15411419	SEAL CBL 1W; 62mm <sup>2</sup>

Lock TPA

DPN	Description
13520911	Lock TPA PWR PACK 19mm <sup>2</sup>
13523148	Lock TPA PWR PACK 32mm <sup>2</sup>
13523149	Lock TPA PWR PACK 50mm <sup>2</sup>
13523150	Lock TPA PWR PACK 62mm <sup>2</sup>

# Power Pack 2000

## 1 Way Device and Pass-Through Connectors



### Application

- Device connections up to 250A
- Sealed pass-through header

### Performance

- Current capacity: 250A at 85°C
- Voltage: 12V
- Temperature range: -40°C to +125°C
- Sealing protection: IP67

### Description

- Sealed system
- Silver-plated, multi-contact terminal system
- Cable range: 19 mm<sup>2</sup> to 62 mm<sup>2</sup>
- One key/index



Header connector Part number:

DPN	Key/index	Description
13520386	0	PP2000 header 1 way

Mating Part number:

DPN	Key/index	Description
13520916	0	PP2000 Female conn 1 way

### Female Terminals

DPN	Description
13520912	TERM F PWR PACK 2000 SLD; inline; 13mm <sup>2</sup> -19mm <sup>2</sup>
13523152	TERM F PWR PACK 2000 SLD; inline; 32mm <sup>2</sup>
13523153	TERM F PWR PACK 2000 SLD; inline; 40mm <sup>2</sup> -50mm <sup>2</sup>
13523154	TERM F PWR PACK 2000 SLD; inline; 62mm <sup>2</sup>

### Lock TPA

DPN	Description
13520911	Lock TPA PWR PACK 19mm <sup>2</sup>
13523148	Lock TPA PWR PACK 32mm <sup>2</sup>
13523149	Lock TPA PWR PACK 50mm <sup>2</sup>
13523150	Lock TPA PWR PACK 62mm <sup>2</sup>

### Seal

DPN	Description
15411422	SEAL CBL 1W; 19mm <sup>2</sup>
15411421	SEAL CBL 1W; 32mm <sup>2</sup>
15411420	SEAL CBL 1W; 50mm <sup>2</sup>
15411419	SEAL CBL 1W; 62mm <sup>2</sup>

# Charge Inlet

## Level 1 & 2 Vehicle Charging Inlet



### Application

- Plug-in hybrid and electric vehicle charge inlet

### Performance

- Supports: AC Level 1 (15A, 120V) and AC Level 2 (30A, 240V)
- Voltage: 600V maximum rating
- Temperature range: -40°C to +85°C
- Validation: UL recognized, Delphi GTP
- Electrical protection: IP2XB
- Design life: 10,000 mating cycles

### Description

- Interface complies with SAE J1772 and IEC62196 Type I standard
- Panel mounts to vehicle
- Protective grommet/wire dress mounts to inlet
- Available with latching cover or without cover
- Cover mounting features allow latch to open left or right



### Part number:

DPN	Description
13826395	Cover opens left

### Grommet:

DPN	Description
13826280	Grommet wire protection

### TPA

DPN	Description
13826277	TPA

### Terminals

DPN	Description	AWG Gauge	Wire section mm <sup>2</sup>
13884348	1.5mm pin	18 GA (0.8-0.75 mm <sup>2</sup> )	0.75 mm <sup>2</sup>
13884350	2.8mm pin	14 GA (2-2.5 mm <sup>2</sup> )	2.5 mm <sup>2</sup>
13884352	3.6mm pin	14 GA (2-2.5 mm <sup>2</sup> )	2.5 mm <sup>2</sup>
13884351	2.8mm pin	10 GA (5 mm <sup>2</sup> )	5 mm <sup>2</sup>
13884353	3.6mm pin	10 GA (5 mm <sup>2</sup> )	5 mm <sup>2</sup>

# Charge Inlet

## Type II Vehicle Charging Inlet



### Application

- Plug-in hybrid and electric vehicle charge inlet

### Performance

- Supports single-phase or three-phase power supply
- Supports: (16A, 230V) and (63A, 480V)
- Voltage: 400V maximum rating
- Temperature range: -40°C to +85°C
- Electrical protection: IP2XB
- Sealing protection: IP44 (connector/inlet mated)
- Design life: 10,000+ mating cycles

### Description

- Interface complies with IEC62196 Type II standard
- Panel mounts to vehicle
- Integrated thermal circuit breaker to prevent abnormal temperature increase inlet connector only
- Cover provides dust protection
- Designed to drain fluid if introduced to inlet
- Holes provided for coupler lock actuator
- Available with cover opening right or left



### Part number:

DPN	Description
33402098	Inlet sub-assy INLET Type II Right open cover, Left wire exit
33400030	Rear Cover Left wire exit

### Grommet:

DPN	Description
33401379	Rear grommet tube

### TPA

DPN	Description
F501410	TPA

### Screw

DPN	Description
F028010	Screw

### Thermo sensor

DPN	Description
F373410	Thermo sensor set

### Terminals for 16A version (1-ph or 3-ph)

DPN	Designation	Wire section	INLET BOM (1-phase)	INLET BOM (3-phase)
F432410	Male terminal 6mm diameter with cap Ni	4 mm <sup>2</sup>	2	4
F632410	Male terminal 6mm diameter w/o cap Ni	2.5 mm <sup>2</sup>	1	1
F832410	Male terminal 3mm diameter - 13mm length	0.5 mm <sup>2</sup>	1	1
F732410	Male terminal 3mm diameter - 25mm length	0.5 mm <sup>2</sup>	1	1

### Terminals for 32A version (1-ph or 3-ph)

DPN	Designation	Wire section	INLET BOM (1-phase)	INLET BOM (3-phase)
F432410	Male terminal 6mm diameter with cap Ni	4 mm <sup>2</sup>	1	1
F832410	Male terminal 3mm diameter - 13mm length	0.5 mm <sup>2</sup>	1	1
F732410	Male terminal 3mm diameter - 25mm length	0.5 mm <sup>2</sup>	1	1
33403032	Male terminal 6mm diameter with cap Ag	6 mm <sup>2</sup>	1	3
33403033	Male terminal 6mm diameter w/o cap Ag	6 mm <sup>2</sup>	1	1

### Terminals for 63A version (1-ph or 3-ph)

DPN	Designation	Wire section	INLET BOM (1-phase)	INLET BOM (3-phase)
F613510	Male terminal 6mm diameter with cap Ag	16 mm <sup>2</sup>	1	3
F432410	Male terminal 6mm diameter with cap Ni	4 mm <sup>2</sup>	1	1
F532410	Male terminal 6mm diameter w/o cap Ni	16 mm <sup>2</sup>	1	1
F832410	Male terminal 3mm diameter - 13mm length	0.5 mm <sup>2</sup>	1	1
F732410	Male terminal 3mm diameter - 25mm length	0.5 mm <sup>2</sup>	1	1

# Charge Coupler Connector Pigtails



Type I - Rubber Overmold

## Application

- Cable assemblies for integration into charging stations or portable cordsets per customer requirements

## Performance

- Current capacity: 15A to 32A
- Voltage range: 120V to 480V
- Temperature range: -40°C to +50°C
- Validation: See part number information

## Description

- SAE J1772/IEC62196 Type I, IEC62196 Type II, and GB/T 20234 compliant connections
- Wiring crimps sealed from environment
- Rubber overmold and plastic grip options available



Type I - Plastic Handle



Type II - Rubber Overmold



Type II - Plastic Handle



GB/T - Rubber Overmold

Part number	Type (veh / wall)	Current	# phase	Design	cable length (m/ft)	Cable sections	Certification	Manufacturing plant
33155748	Type 1	20A	1-phase	Soft grip	5.0 / 16.40	3G2.5+0.5	CE	Tatabanya, Hu
33105172	Type 1	15A/120A	1-phase	Soft grip	6.2 / 20.33	3G2.0+0.8	UL	Warren, USA
33105194	Type 1	16A	1-phase	Soft grip	6.2 / 20.33	3G2.5+0.75	CE	Warren, USA
33105183	Type 1	20A	1-phase	Soft grip	7.72 / 25.00	3G3.0+0.8	UL	Warren, USA
33105199	Type 1	30A	1-phase	Soft grip	7.72 / 25.00	3G5.0+0.8	UL	Warren, USA
33155747	Type 2	20A	1-phase	Soft grip	5.0 / 16.40	3G2.5+0.5	CE	Tatabanya, Hu
33155746	Type 2	20A	3-phase	Soft grip	5.0 / 16.40	5G2.5+0.5	CE	Tatabanya, Hu
33155745	Type 2	32A	3-phase	Soft grip	5.0 / 16.40	5G6+0.5	CE	Tatabanya, Hu
33400850	Type 2	32A	3-phase	All plastic grip	6.5 / 21.32	5G4+0.75	CE	Tatabanya, Hu
F331310	Type 2	16A	1-phase	All plastic grip	6.5 / 21.32	3G2.5+0.75	CE	Tatabanya, Hu
33155744	GBT	20A	1-phase	Soft grip	5.0 / 16.40	3G2.5+0.5	CCC & CQC	Tatabanya, Hu
33507943	Type 1 cap							Tatabanya, Hu
15527767	Type 2 cap							Tatabanya, Hu
33511950	GBT cap							Tatabanya, Hu

# Charge Plug Mode 3 Jumpers



Type I to Type II – Plastic Handle

## Application

- Portable Electric Vehicle Supply Equipment (EVSE) for electric vehicle charging

## Available options

- 120V/12A
- 240V/10A, 13A, or 16A
- SAE J1772/IEC62196 Type I, IEC62196 Type II, and GB/T 20234 vehicle interface
- Grid cord as required by country of use
- Call for additional configurations

## Description

- Vehicle interface through three global standards
- EVSE provides restart in the event of power grid fault
- Programmable for multiple charge currents
- NEMA 4 construction
- UL/CE certified



Type II to Type II – Plastic Handle



Type I to Type III – Plastic Handle



Type II to Type III – Plastic Handle

## Part numbers:

Part number	Type (veh / wall)	Current	# phase	Design	cable length (m/ft)	Cable sections	Certification	Manufacturing plant
33401404	Jumper T2 -T2	32A	3-phase	All plastic grip	6.5 / 21.32	5G4+0.75	CE	Tatabanya, Hu
33403734	Jumper T2 -T2	32A	3-phase	All plastic grip	4.0 / 13.12	5G4+0.75	CE	Tatabanya, Hu
33401403	Jumper T2 -T3	32A	3-phase	All plastic grip	6.5 / 21.32	5G4+0.75	CE	Tatabanya, Hu
33401184	Jumper T1 -T2	20A	1-phase	All plastic grip	6.0 / 19.68	3G2.5+0.75	CE	Tatabanya, Hu
33403378	Jumper T1 -T2	32A	1-phase	All plastic grip	6.0 / 19.68	3G6+0.75	CE	Tatabanya, Hu
33401185	Jumper T1 -T3	20A	1-phase	All plastic grip	6.0 / 19.68	3G2.5+0.75	CE	Tatabanya, Hu

# Charge plug mode 2 assembly (with ICCB)

## Application

- Portable Electric Vehicle Supply Equipment (EVSE) for electric vehicle charging

## Available options

- 120V/12A
- 240V/10A, 13A, or 16A
- SAE J1772/IEC62196 Type I, IEC62196 Type II, and GB/T 20234 vehicle interface
- Grid cord as required by country of use
- Call for additional configurations

## Description

- Vehicle interface through three global standards
- EVSE provides restart in the event of power grid fault
- Programmable for multiple charge currents
- NEMA 4 construction
- UL/CE certified



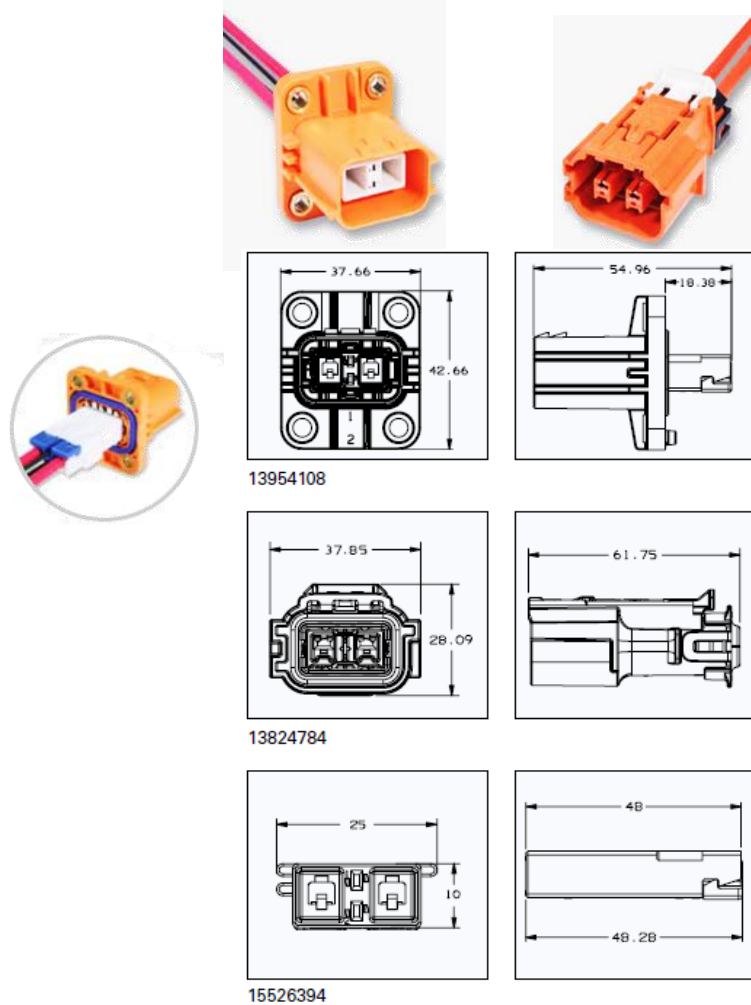
## Part numbers:

Part number	Type (veh / wall)	Current	# phase	Design	cable length (m/ft)	Countries	Certification	Manufacturing plant
33214451	Type 2	10A	1-phase	Soft grip	5.0 / 16.40	Europe	CE	Tatabanya, Hu
33214455	Type 2	10A	1-phase	Soft grip	5.0 / 16.40	UK, Ireland, Cyprus, Malta	CE	Tatabanya, Hu
33214456	Type 2	8A	1-phase	Soft grip	5.0 / 16.40	Denmark	CE	Tatabanya, Hu
33214457	Type 2	8A	1-phase	Soft grip	5.0 / 16.40	Switzerland	CE	Tatabanya, Hu
33214458	Type 2	10A	1-phase	Soft grip	5.0 / 16.40	Norway	CE	Tatabanya, Hu

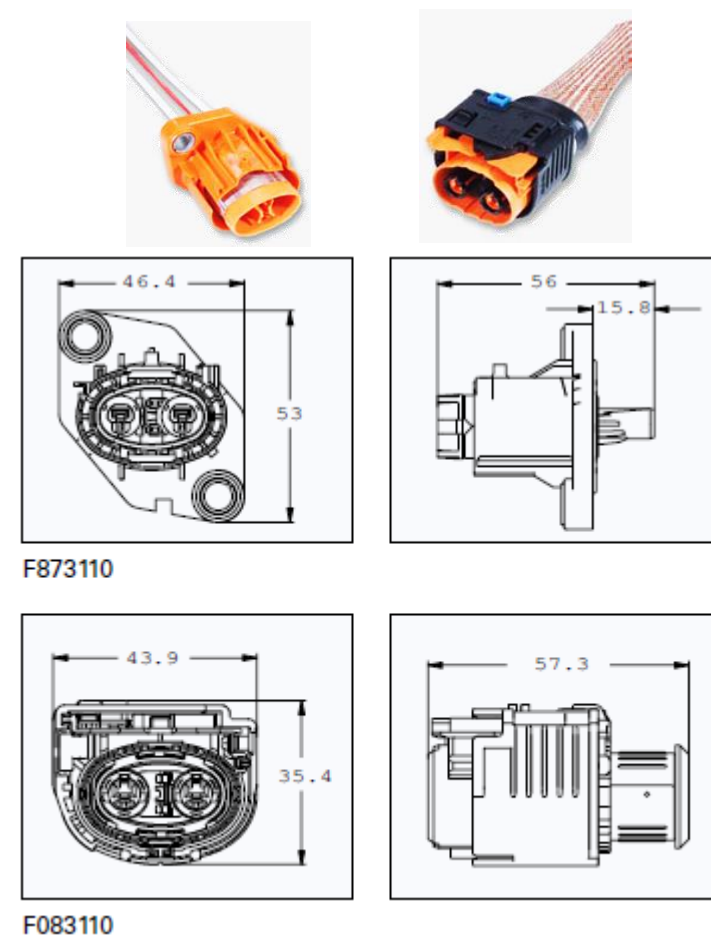
# Dimensions

Shown in millimeters.

Shield-Pack™ HV280  
2 Piece Header with Pluggable Inner Connector



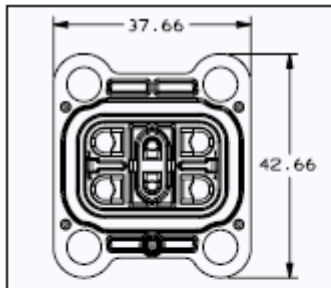
APEX® HV280  
2 way Connection System with HVIL



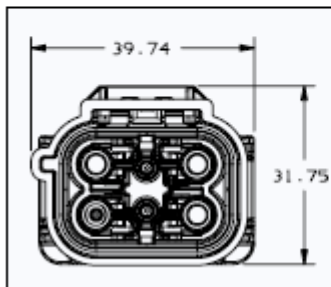
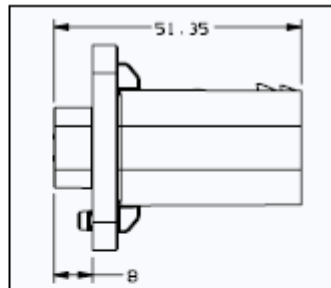
# Dimensions

Shown in millimeters.

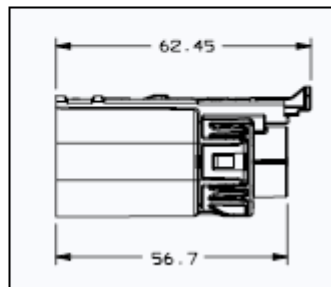
On-Board Charger Connector Level 1 / Level 2  
6 way Device Connection System



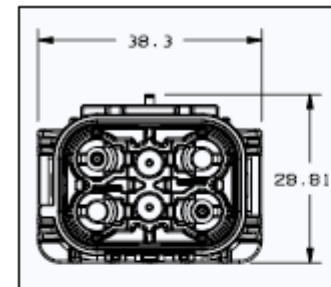
13879038



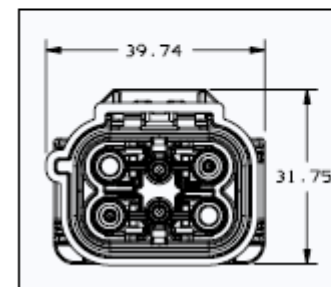
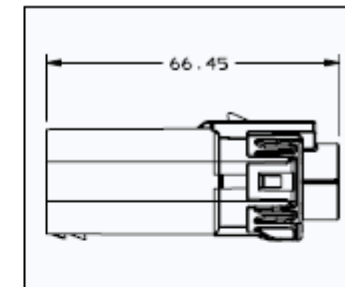
13879047



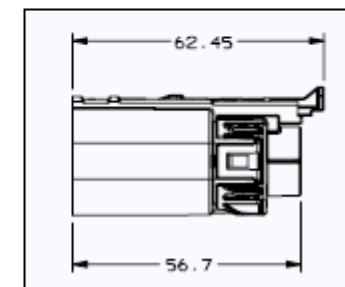
On-Board Charger Connector Level 1 / Level 2  
6 way Inline Connection System



13990590



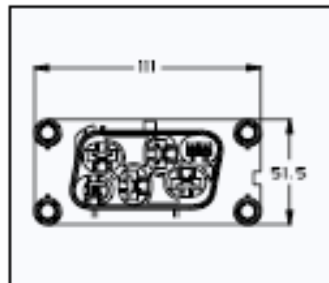
13879048



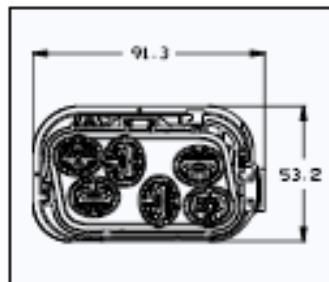
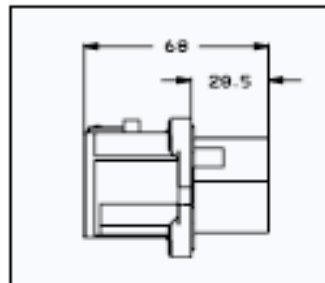
# Dimensions

Shown in millimeters.

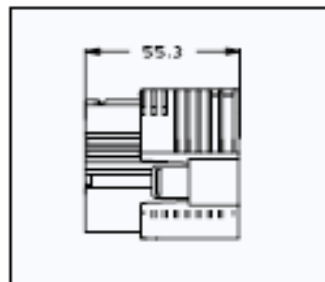
APEX® 950 On-Board Charger Connector  
4 + 1 Way Connection System with HVIL



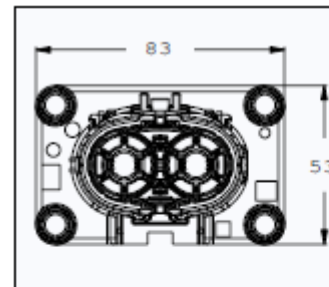
33402137



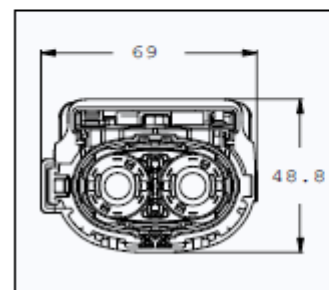
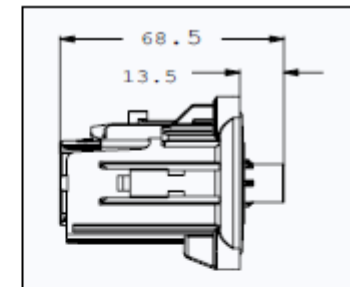
33402139



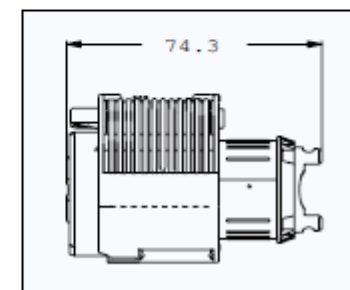
RCS800 High Voltage  
2 Way Connection System with HVIL



F473110



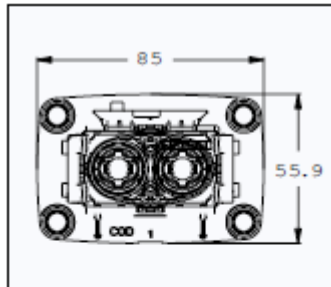
F673110



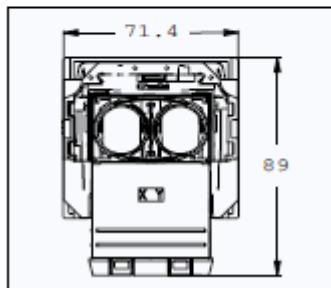
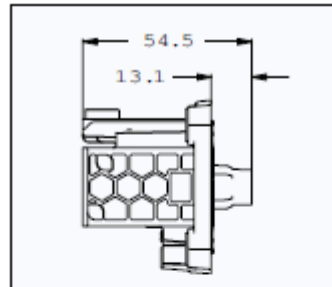
# Dimensions

Shown in millimeters.

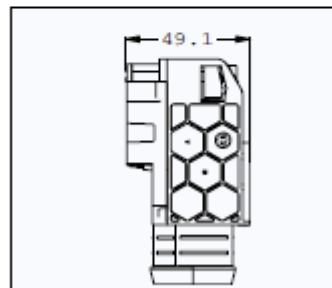
RCS890 High Voltage  
2 Way Right Angle Connection System with HVIL



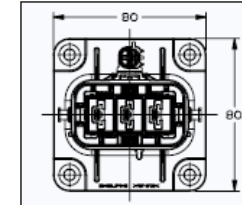
F722210



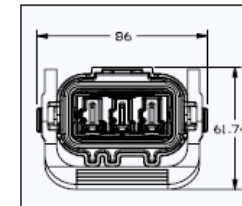
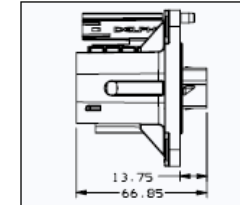
F922210



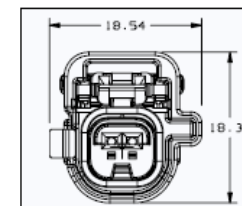
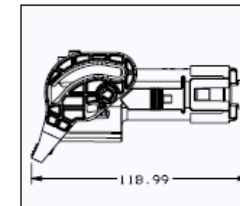
Shield-Pack™ HV1000  
3 way Panel Mount Connection System



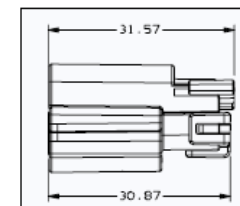
13879064



13879062



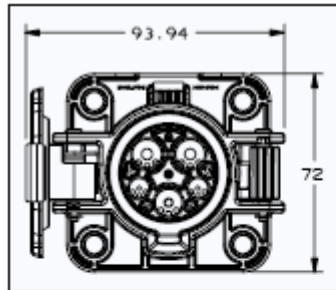
13738743



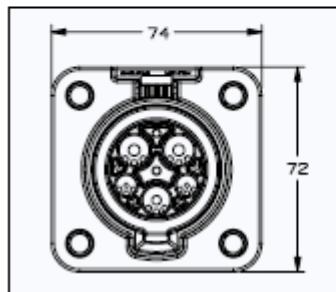
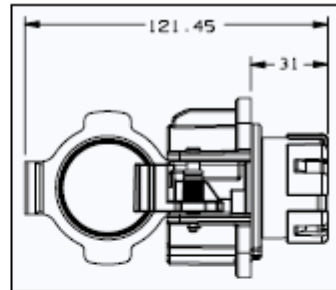
# Dimensions

Shown in millimeters.

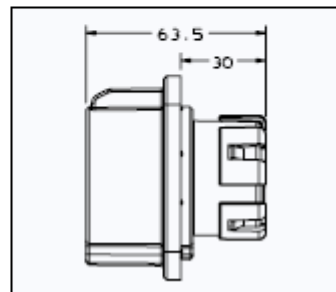
Charge Inlet  
Level 1 & 2 Vehicle Charging Inlet



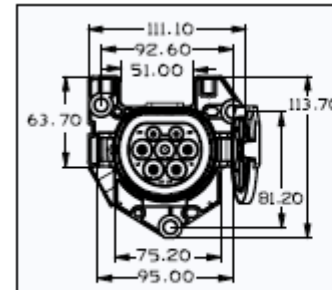
13826395



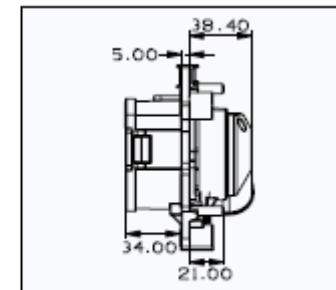
13829165



Charge Inlet  
Type II Vehicle Charging Inlet



33402098



# Dimensions

Shown in millimeters.

## Charge Coupler Connector Pigtails



1 Type I - Rubber Overmold



2 Type I - Plastic Handle



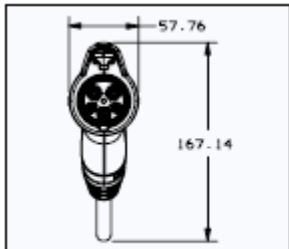
5 GB/T - Rubber Overmold



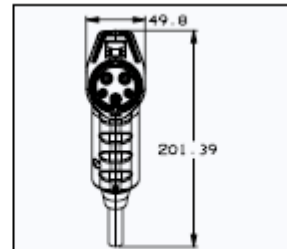
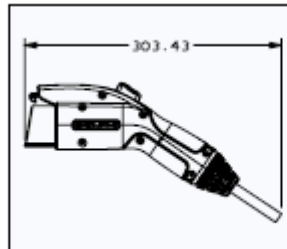
4 Type II - Plastic Handle



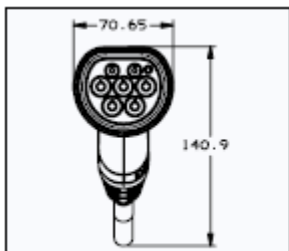
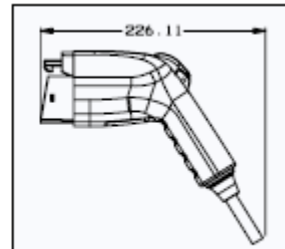
3 Type II - Rubber Overmold



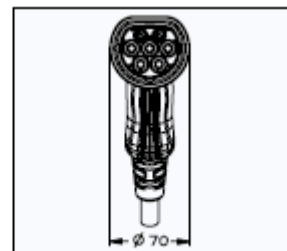
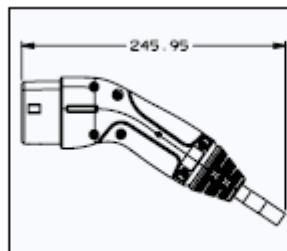
1 33105172: Type I - Rubber overmold



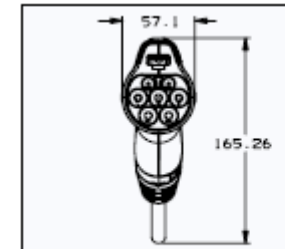
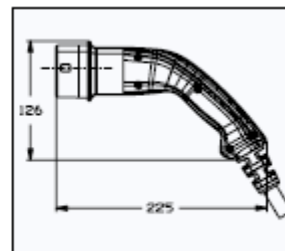
2 Type I - Plastic handle



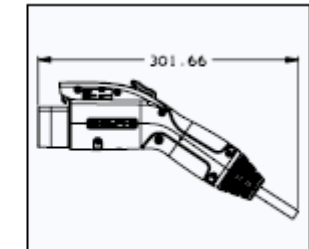
3 33155747: Type II - Rubber overmold



4 33400850: Type II - Plastic handle



5 13960876: GB/T - Rubber overmold

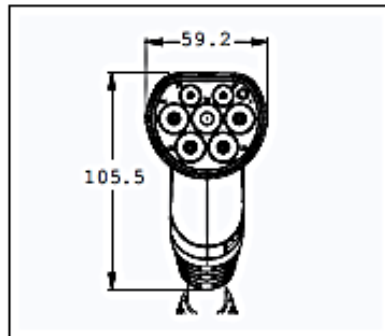


# Dimensions

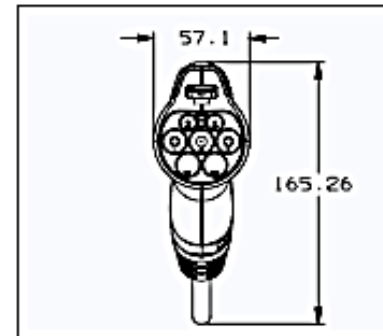
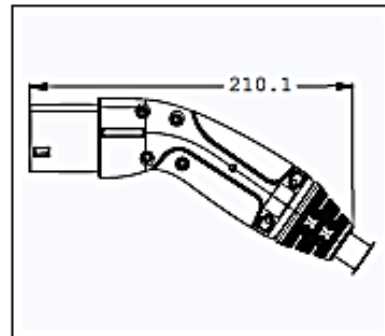
Shown in millimeters.

## Charge Plug Mode 3 Jumpers

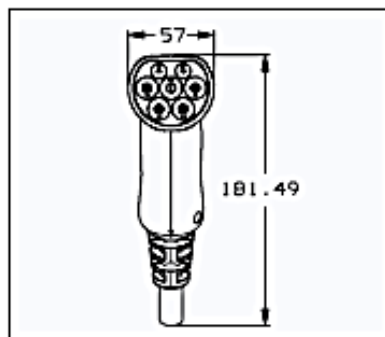
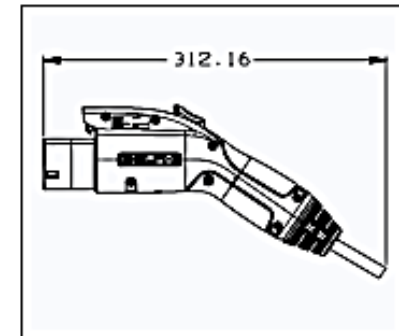
### Infrastructure Drawings



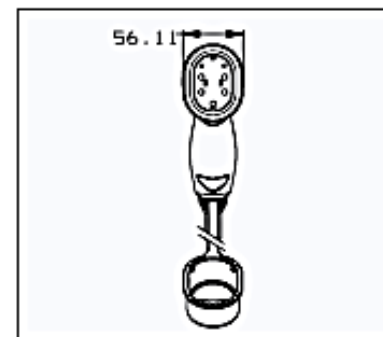
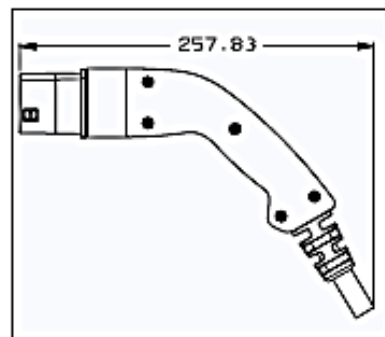
Type II – Rubber Overmold



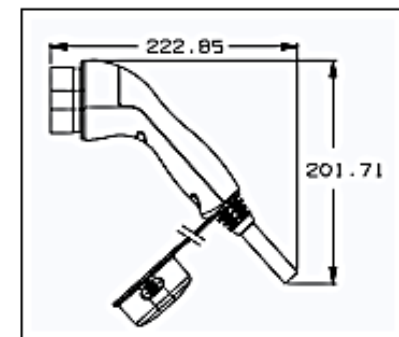
GB/T – Rubber Overmold



Type II – Plastic Handle



Type III – Plastic Handle



# Cross Reference

P/N	DPN	Description	P/N	DPN	Description	P/N	DPN	Description
13520386	13520386	IW header Mates with 13520916 Straight	13827765	13827765	Inner Ferrule 50mm <sup>2</sup> CBL	33105194	33105194	Type 1
13520909	13520909	CONN 1M PWR PACK 2000 SLD	13828451	13828451	Inner ferrule 8.05-8.55 cable OD 25mm2	33105199	33105199	Type 1
13520911	13520911	Lock TPA PWR PACK 19mm2	13828452	13828452	Inner ferrule 6.55-7.05 cable OD 16mm2	33107346	33107346	Shield-Pack HV280 Internal HVIL Shunted - (no tool required)
13520912	13520912	TERM F PWR PACK 2000 SLD; inline; 13mm2-19mm2	13828453	13828453	Outer Ferrule	33107347	33107347	Shield-Pack HV280 Internal HVIL Shunted - (no tool required)
13520914	13520914	TERM M PWR PACK 2000 SLD; 13mm2-19mm2	13829165	13829165	No cover	33107360	33107360	Shield-Pack HV280 Internal HVIL Shunted - (no tool required)
13520916	13520916	ASM CONN 1 F PWR PACK 2000 SLD	13830159	13830159	Shield-Pack HV280 Internal HVIL Shunted - (tool required for disconnection)	33155744	33155744	Charge Coupler GBT
13523148	13523148	Lock TPA PWR PACK 32mm2	13830160	13830160	Shield-Pack HV280 Internal HVIL Shunted - (tool required for disconnection)	33155745	33155745	Charge Coupler 2
13523149	13523149	Lock TPA PWR PACK 50mm2	13830171	13830171	Shield-Pack HV280 Internal HVIL Shunted	33155746	33155746	Charge Coupler 2
13523150	13523150	Lock TPA PWR PACK 62mm2	13830172	13830172	Shield-Pack HV280 Internal HVIL Shunted	33155747	33155747	Charge Coupler 2
13523152	13523152	TERM F PWR PACK 2000 SLD; inline; 32mm2	13830674	13830674	Shield-Pack HV280 with HVIL shunted in header Bore seal to device	33155748	33155748	Charge Coupler 1
13523153	13523153	TERM F PWR PACK 2000 SLD; inline; 40mm2-50mm2	13837481	13837481	Cable seal 8.59-9.03 OD	33214451	33214451	Type 2
13523154	13523154	TERM F PWR PACK 2000 SLD; inline; 62mm2	13837482	13837482	Cable seal 10.05-10.55 OD	33214455	33214455	Type 2
13523156	13523156	TERM M PWR PACK 2000 SLD; 32mm2	13837483	13837483	Stuffer / Secondary lock tower	33214456	33214456	Type 2
13523157	13523157	TERM M PWR PACK 2000 SLD; 40mm2-50mm2	13846092	13846092	HVIL CPA	33214457	33214457	Type 2
13523158	13523158	TERM M PWR PACK 2000 SLD; 62mm2	13848934	13848934	HVIL connector	33214458	33214458	Type 2
13543114	13543114	HVIL connector terminal 1.2 HVT silver	13848975	13848975	Outer Ferrule 50mm2	33400030	33400030	Rear Cover Left wire exit
13548148	13548148	HVIL terminal	13848977	13848977	Strain relief TPA/Sec Lock 50.0mm <sup>2</sup>	33400850	33400850	Type 2
13572757	13572757	2.8 female terminal 2.05-3.43 cable OD / 1-2mm2	13848978	13848978	CBL Seal 50mm <sup>2</sup>	33401184	33401184	Jumper T1 -T2
13572764	13572764	2.8 female terminal 3-4.09 cable OD / 3 mm2	13849747	13849747	PP1000 - 2w M In-line	33401185	33401185	Jumper T1 -T3
13663724	13663724	Male Terminal 1.0 HES Gold required .75-1.0mm2	13849756	13849756	PP1000 - 2w F In-line	33401379	33401379	Rear grommet tube
13663728	13663728	Female Terminal 1.0 HES Gold required .75-1.0mm2	13849785	13849785	TERM M PWR PACK 1000 AG 4.54 - 5.79 dia cable (8 - 10)	33401403	33401403	Jumper T2 -T3
13675510	13675510	SEAL CBL OW PWR PACK 1000 4.54 - 5.79 dia cable Gray	13849786	13849786	TERM M PWR PACK 1000 AG 6.63 - 8.13 dia cable (13 - 16)	33401404	33401404	Jumper T2 -T2
13675511	13675511	SEAL CBL OW PWR PACK 1000 5.4 - 6.6 dia cable Black	13849787	13849787	TERM M PWR PACK 1000 AG 7.75 - 10.2 dia cable (19 - 25)	33402098	33402098	INLET Type II Right open cover, Left wire exit
13675512	13675512	SEAL CBL OW PWR PACK 1000 6.63 - 7.75 dia cable White	13849788	13849788	ASM TERM F PWR PACK 1000 AG 4.54 - 5.79 dia cable, In-Line (8 - 10)	33402137	33402137	APEX 950 Header connector Code 1
13675513	13675513	SEAL CBL OW PWR PACK 1000 7.61 - 9.19 dia cable Blue	13849789	13849789	ASM TERM F PWR PACK 1000 AG 6.63 - 8.13 dia cable, In-Line (13 - 16)	33402139	33402139	APEX 950 connector black Code 1
13675514	13675514	SEAL CBL OW PWR PACK 1000 9 - 10.2 dia cable Red Brown	13857487	13857487	Cover Bolt Insulator	33403378	33403378	Jumper T1 -T2
13675577	13675577	TERM M PWR PACK 1000 AG 4.54 - 5.79 dia cable (8 - 10)	13859672	13859672	Strain relief TPA/Sec Lock 35.0mm <sup>2</sup>	33403734	33403734	Jumper T2 -T2
13675578	13675578	Male term 13-16mm2	13859674	13859674	CBL Seal 35mm <sup>2</sup>	33507943	33507943	Type 1 cap
13675579	13675579	TERM M PWR PACK 1000 AG 4.54 - 5.79 dia cable (19 - 25)	13859677	13859677	Inner Ferrule 35mm <sup>2</sup> CBL	33511950	33511950	GBT cap
13675583	13675583	Female term 8-10mm2	13861584	13861584	Shield-Pack HV280 In-line with HVIL shunt	54001027	15516298	APEX 280 MALE TERMINAL 4 mm <sup>2</sup>
13675584	13675584	TERM F PWR PACK 1000 AG 6.63 - 8.13 dia cable, In-Line (13 - 16)	13861585	13861585	Shield-Pack HV280 In-line with HVIL shunt	54001202	10810733	APEX 280 FEMALE TERMINAL 4 mm <sup>2</sup>
13675585	13675585	Female term 19-25mm2	13879038	13879038	On_board charger connector - (tool required for disconnection)	60100714	33511802	DCS2 1.5 gold-plated MALE TERMINAL 0,22-0,35 mm <sup>2</sup>
13675587	13675587	TERM F PWR PACK 1000 AG 4.54 - 5.79 dia cable, Right Angle (8 - 10)	13879046	13879046	Level 2 harness connector (4+2)	61000734	10779073	DCS2 1.5 gold-plated MALE TERMINAL 0,5-1,0 mm <sup>2</sup>
13675589	13675589	TERM F PWR PACK 1000 AG 6.63 - 8.13 dia cable, Right Angle (13 - 16)	13879047	13879047	Level 2 harness connector (3+2)	60993913	15441379	DCS 1.5 MALE RED SWS 0,22 - 0,5 mm <sup>2</sup>
13675590	13675590	TERM F PWR PACK 1000 AG 7.75 - 10.2 dia cable, Right Angle (19 - 25)	13879048	13879048	Level 2 harness connector (2+2)	60993928	15441380	DCS 1.5 MALE GREY SWS 0,75 - 1,0 mm <sup>2</sup>
13737698	13737698	Inner ferrule 2.57-2.87 cable OD / 14 gaqe (2mm2)	13879049	13879049	Level 1 harness connector (4+2)	C302400	33512175	APEX 280 MALE & FEMALE SWS Red 4 mm <sup>2</sup>
13737699	13737699	Inner ferrule 3.30-3.46 cable OD / 12 gage (3mm2)	13879050	13879050	Level 1 harness connector (3+2)	F008900	33514386	APEX 950 Male Terminal 10 to 16mm2
13737700	13737700	Inner ferrule 3.84-4.09 cable OD / 10 ga (5mm2)	13879051	13879051	Level 1 harness connector (2+2)	F018900	33514387	APEX 950 Female Terminal 10 to 16mm2
13737702	13737702	Outer Ferrule	13879062	13879062	Shield-Pack HV1000 3-way with HVIL	F028010	33514388	Screw
13737721	13737721	TPA 4.17-4.45 cable OD / 2mm2 shielded cable	13879064	13879064	Shield-Pack HV1000 3-way with HVIL	F028900	n.a.	APEX 950 SWS wire size 10 mm2
13737722	13737722	TPA 5.38-5.66 cable OD / 5mm2 shielded cable	13882331	13882331	2.8 Female terminal - 4-5mm2	F076600	33512193	RCS 800 MALE Bus Bar TERMINAL Silver version standard length
13737736	13737736	Shield-Pack HV280 In-line with HVIL shunt	13884348	13884348	1.5mm pin	F083110	PE246906	APEX-280 2WAY PLUG CODE 1 BLACK
13737737	13737737	Shield-Pack HV280 In-line with HVIL shunt	13884350	13884350	2.8mm pin	n.a.	n.a.	APEX 950 SWS wire size 16 mm2
13737752	13737752	TPA/Secondary Lock	13884351	13884351	2.8mm pin	F132210	33511753	RCS 890 2-WAY FEMALE SWS & RETAINER (PLUG) 40 mm <sup>2</sup>
13737768	13737768	Shield-Pack HV280 With HVIL Pass-Through to Module	13884352	13884352	3.6mm pin	F176600	33511746	RCS 800 MALE Bus Bar TERMINAL Silver version V1 length
13738743	13738743	HVIL connector	13889767	13889767	Strain relief 9.2 MAX OD	F183110	33511765	APEX-280 2WAY PLUG CODE 2 BROWN
13738744	13738744	HVIL connector	13889768	13889768	Strain relief 10.7 MAX OD	F232210	33511754	RCS 890 2-WAY FEMALE SWS & RETAINER (PLUG) 50 mm <sup>2</sup>
13738761	13738761	HVIL PLR	13939058	13939058	Outer Ferrule 35mm2	F276600	33511747	RCS 800 MALE Bus Bar TERMINAL Silver version V2 length
13743443	13743443	Shield-Pack HV280 without HVIL	13944148	13944148	2.8mm pin	F31310	33502596	Charge Coupler 2
13753470	13753470	2.8 Male terminal - 2.48-3.97 cable OD 1-2 mm2	13944149	13944149	3.6mm pin	F373410	33514398	Thermo sensor set
13753471	13753471	2.8 Male terminal - 3.40-5.24 cable OD / 3 mm2-5mm2 solder rqd	13954109	13954109	Shield-Pack HV280 2 piece header with Loose Inner connector	F385400	13893887	RCS 800 FEMALE TERMINAL silver version 35 to 50 MM <sup>2</sup>
13756257	13756257	TPA 4.73-5.03 cable OD / 3mm2 shielded cable	13990590	13990590	Level 2 harness connector (2+2)	F421110	n.a.	APEX 950 plug
13757523	13757523	Shield-Pack HV280 With HVIL shunted	13990593	13990593	Level 1 harness connector (2+2)	F427600	13893888	RCS 800 FEMALE SWS 35-40 MM <sup>2</sup> (PLUG)
13783283	13783283	Male Terminal 2.4 HES Gold required 2-3mm2	15411419	15411419	SEAL CBL 1W; 62mm2	F432410	33502195	Diameter 6mm with cap 4mm <sup>2</sup> male terminal
13783284	13783284	Male Terminal 2.4 HES Gold required 4-6mm2	15411420	15411420	SEAL CBL 1W; 50mm2	F473110	33511764	RCS-800 2WAY HEADER CODE 1 BLACK
13783300	13783300	Female Terminal 2.4 HES Gold required 2-3mm2	15411421	15411421	SEAL CBL 1W; 32mm2	F501410	33508692	TPA
13783301	13783301	Female Terminal 2.4 HES Gold required 4-6mm2	15411422	15411422	SEAL CBL 1W; 19mm2	F527600	13893889	RCS 800 FEMALE RETAINER (PLUG)
13790534	13790534	2.8 Male terminal - 3.40-5.24 cable OD / 4-5 mm2	15512757	15512757	Shield-Pack HV2000 2-way with HVIL	F532410	33502209	Diameter 6mm w/o cap 16mm <sup>2</sup> male terminal
13791853	13791853	2.8 female terminal 3.40-5.24 cable OD / 5 mm2	15512758	15512758	Shield-Pack HV2000 2-way with HVIL	F573110	33511762	RCS-800 2WAY HEADER CODE 2 BBROWN
13796603	13796603	2.8 Female terminal 1.5-2.5mm2	15513451	15513451	Cable seal LSR 10ga	F601010	33502217	RCS 890 FEMALE TERMINAL silver version 35 to 50 MM <sup>2</sup>
13815981	13815981	Power Pack 2000 Female term Sonic weld terminal	15513452	15513452	Cable seal LSR 12ga	F613510	33513985	Diameter 6mm with cap 16mm <sup>2</sup> male terminal Ag
13824778	13824778	TPA/seal retainer Cable 10 ga	15513453	15513453	Cable seal LSR 14ga	F632410	F632410	Diameter 6mm w/o cap 2.5mm <sup>2</sup> male terminal
13824779	13824779	TPA/seal retainer Cable 12 ga	15513454	15513454	Cable seal LSR 14ga EU/PSA	F673110	13974469	RCS-800 2WAY PLUG CODE 1 BLACK
13824780	13824780	TPA/seal retainer Cable 14 ga	15514006	15514006	Shield-Pack HV2000 2-way with HVIL	F722210	33503821	RCS-890 2-WAY HEADER CODE 1 BLACK
13824784	13824784	Shield-Pack HV280 Internal HVIL Shunted - (tool required for disconnection)	15514007	15514007	Shield-Pack HV2000 2-way with HVIL	F732410	33502238	Diameter 3mm - version 25mm male terminal
13824830	13824830	Shield-Pack HV280 Internal HVIL Shunted	15522869	15522869	3.6mm pin	F773110	33511761	RCS-800 2WAY PLUG CODE 2 BROWN
13824833	13824833	TPA/Secondary Lock	15526395	15526395	Inner connector	F825010	F825010	RCS890 2-WAY HALF CLAMP
13826277	13826277	TPA	15527767	15527767	Charge Coupler 2	F832410	33502256	Diameter 3mm - version 13mm male terminal
13826280	13826280	Grommet wire protection	15543396	15543396	On_board charger connector - (no tool required)	F873110	33511766	APEX-280 2WAY HEADER CODE 1 BLACK
13826395	13826395	Cover opens left	33105172	33105172	Type 1	F922210	33511765	RCS-890 2-WAY PLUG CODE 1 BLACK
			33105183	33105183	Type 1	F973110	33511767	APEX-280 2WAY HEADER CODE 2 BROWN

# Notes

A large area of the page is filled with horizontal dotted lines, providing a space for handwritten notes.

[www.delphi.com/connectors](http://www.delphi.com/connectors)

# Contact Information

## Asia Pacific Regional Operations

60 Yuanguo Road  
Anting, Jiading District  
Shanghai, 201814 China  
Tel: (86) 21. 5956.3300  
Fax: (86) 21. 6957.3797

## North America Customer Center

5725 Delphi Drive  
Troy, Michigan 48098-2815  
USA  
Tel: (1) 248.813.2000  
Fax: (1) 248.813.2673

## Europe Regional Operations

Customer Technology Center  
Delphiplatz 1  
42119 Wuppertal, Germany  
Tel: (49) 202.291.0  
Fax: (49) 202.291.2777

## South America Regional Operations

Delphi Automotive Systems do Brasil Ltda.  
Rod. dos Tamoios, Km 21,8  
Jambeiro, São Paulo 12290-000 Brazil  
Tel: (55) 12.3978.2005  
Fax: (55) 12.3978.2077