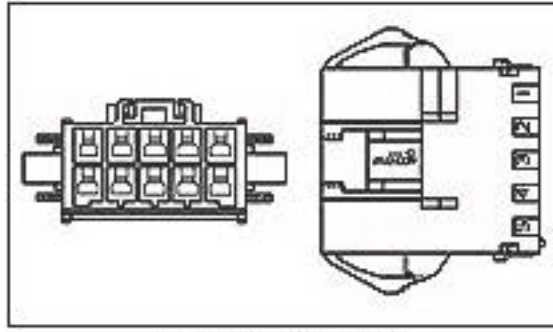


1-368589-4 Product Details

[Share](#) | [Print](#) | [Email](#)


1-368589-4

TE Internal Number: 1-368589-4

Active

Power Double-Lock Connectors

[Always EU RoHS/ELV Compliant \(Statement of Compliance\)](#)

Product Highlights:

- Connector
- Glow Wire Rating = Approved
- Housing
- Connector Style = Receptacle
- Contact Type = Pin

[View all Features](#)

[Add to My Part List](#) [Request Sample](#) [Find Similar Products](#) [Buy Product](#)

Quick Links

- ▶ [Check Pricing & Availability](#)
- ▶ [Search for Tooling](#)
- ▶ [Product Feature Selector](#)
- ▶ [Contact Us About This Product](#)

Documentation & Additional Information

Product Drawings:

- [PDL 4P CAP HSG 3.96mm D/R P/M \(GWT\) \(PDF, English\)](#)

Catalog Pages/Data Sheets:

- None Available

Product Specifications:

- None Available

Application Specifications:

- None Available

Instruction Sheets:

- None Available

CAD Files:

- None Available

Additional Information:

- [Product Line Information](#)

Related Products:

- [Tooling](#)

[List all Documents](#)

Product Features (Please use the Product Drawing for all design activity)

Product Type Features:

- Product Type = Connector
- Connector Type = Housing
- Mount = Panel
- For Use With = Double Lock Plate 177918-1

Body Features:

- [Number of Positions](#) = 4
- [Centerline \(mm \[in\]\)](#) = 3.96 [0.156]
- Number of Double-Lock Plates Required = 2

Contact Features:

- Contact Type = Pin
- Contact Layout = Matrix

Housing Features:

- Connector Style = Receptacle
- Housing Color = Yellow
- Housing Material = Nylon
- UL Flammability Rating = UL 94V-0

Industry Standards:

- [RoHS/ELV Compliance](#) = RoHS compliant, ELV compliant
- [Lead Free Solder Processes](#) = Not relevant for lead free process
- RoHS/ELV Compliance History = Always was RoHS compliant

Conditions for Usage:

- Glow Wire Rating = Approved

Other:

- Brand = Tyco Electronics

Corporate Information

[Who We Are](#)
[Investors](#)
[News Room](#)
[Supplier Portal](#)
[Careers](#)

Quick Links

[Check Distributor Inventory](#)
[Cross Reference](#)
[Find Documents & Drawings](#)
[Product Compliance Support Center](#)
[Site Map](#)

Customer Support

[Email or Chat With Us](#)
[Find a Phone Number](#)
[Search Knowledge Base](#)
[Manage your Account](#)

Keep Me Informed

Receive TE News, Events & Technology Updates

