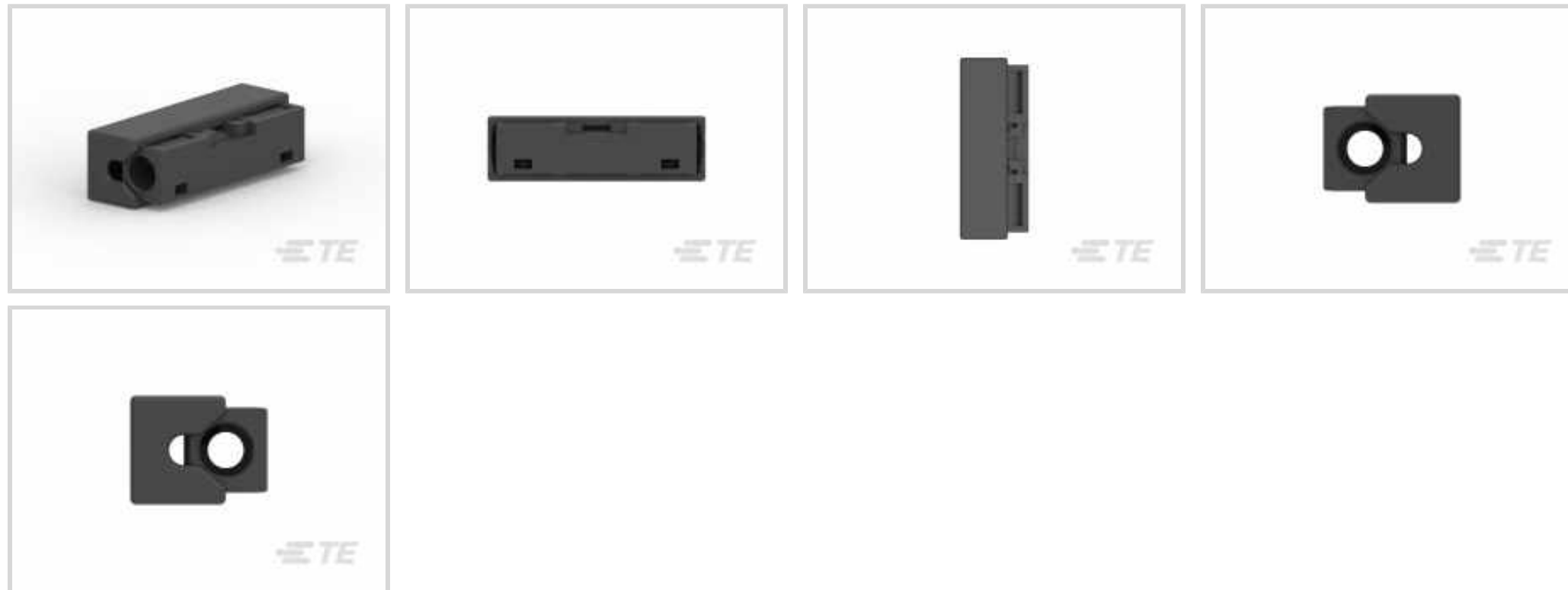




Connectors > Automotive, Truck, Bus, & Off-Road Connectors > Data Connectivity Systems > Data Connectivity Housings



Data Connectivity Connector Style: **Housing for Female Terminals**

Connector System: **Wire-to-Wire**

Number of Positions: **1**

Sealable: **No**

Shielded: **Yes**

Features

Product Type Features

Board Standoff	Without
Hybrid Connector	No
Data Connectivity Connector Style	Housing for Female Terminals
Connector System	Wire-to-Wire
Sealable	No

Configuration Features

Fiber Optic Transceiver	Without
Snap-Lock	Without
Number of Positions	1

Body Features

Environmental Protection	Other
Ferrule	Without
Cable Exit Angle	180° (Inline)
Cable Exit Type	Straight
Body Material	PBT GF

Contact Features

Center Contact	Without
Contact Type	Socket

Mechanical Attachment

Mounting Feature	Without
Mating Retention	With

Housing Features

Housing Color	Black
---------------	-------

Dimensions

Product Width	30.4 mm[1.19 in]
Product Length	9.1 mm[.358 in]
Product Height	11.5 mm[.425 in]

Usage Conditions

Operating Temperature (Max)	65 °C, 70 °C, 75 °C, 80 °C, 85 °C[149 °F][158 °F][167 °F][176 °F][185 °F]
Operating Temperature Range	-40 – 85 °C, -40 – 85 °C[-40 – 185 °F][-40 – 185 °F]

Operation/Application

Shielded	Yes
Circuit Application	Signal

Packaging Features

Packaging Quantity	2000
Packaging Method	Carton

Product Compliance

[For compliance documentation, visit the product page on TE.com>](#)

EU RoHS Directive 2011/65/EU	Compliant
EU ELV Directive 2000/53/EC	Compliant
China RoHS 2 Directive MIIT Order No 32, 2016	No Restricted Materials Above Threshold
EU REACH Regulation (EC) No. 1907/2006	Current ECHA Candidate List: JAN 2020 (205) Candidate List Declared Against: JAN 2018 (181) Does not contain REACH SVHC



<p>EU REACH Regulation (EC) No. 1907/2006</p>	<p>Current ECHA Candidate List: JAN 2020 (205) Candidate List Declared Against: JAN 2018 (181)</p>
<p>Halogen Content</p>	<p>Low Halogen - Br, Cl, F, I < 900 ppm per homogenous material. Also BFR/CFR/PVC Free</p>
<p>Solder Process Capability</p>	<p>Not applicable for solder process capability</p>

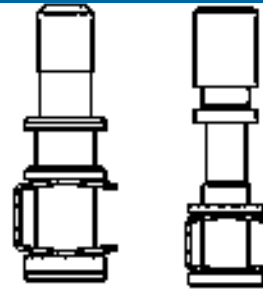
Product Compliance Disclaimer

This information is provided based on reasonable inquiry of our suppliers and represents our current actual knowledge based on the information they provided. This information is subject to change. The part numbers that TE has identified as EU RoHS compliant have a maximum concentration of 0.1% by weight in homogenous materials for lead, hexavalent chromium, mercury, PBB, PBDE, DBP, BBP, DEHP, DIBP, and 0.01% for cadmium, or qualify for an exemption to these limits as defined in the Annexes of Directive 2011/65/EU (RoHS2). Finished electrical and electronic equipment products will be CE marked as required by Directive 2011/65/EU. Components may not be CE marked. Additionally, the part numbers that TE has identified as EU ELV compliant have a maximum concentration of 0.1% by weight in homogenous materials for lead, hexavalent chromium, and mercury, and 0.01% for cadmium, or qualify for an exemption to these limits as defined in the Annexes of Directive 2000/53/EC (ELV). Regarding the REACH Regulations, TE's information on SVHC in articles for this part number is still based on the European Chemical Agency (ECHA) 'Guidance on requirements for substances in articles' (Version: 2, April 2011), applying the 0.1% weight on weight concentration threshold at the finished product level. TE is aware of the European Court of Justice ruling of September 10th, 2015 also known as O5A (Once An Article Always An Article) stating that, in case of 'complex object', the threshold for a SVHC must be applied to both the product as a whole and simultaneously to each of the articles forming part of its composition. TE has evaluated this ruling based on the new ECHA "Guidance on requirements for substances in articles" (June 2017, version 4.0) and will be updating its statements accordingly.


Compatible Parts



TE Model / Part # 1394233-1
FO STIFTKONTAKT




TE Model / Part # 1355532-3
LWL INSERT




TE Model / Part # 1-1355532-3
FIBER OPTIC INSERT


Also in the Series | MOST150



Automotive Connector Caps & Covers (7)



Automotive, Truck, Bus, & Off-Road Headers (7)



Data Connectivity Headers (2)



Data Connectivity Housings (5)



Infotainment & Multimedia Cable Assemblies(1)



Other Automotive Connector Accessories(1)



Portable Crimp Tools(3)

Also in the Series | **MOST25**



Automotive Connector Caps & Covers (13)



Automotive Connector Locks & Position Assurance(1)



Automotive, Truck, Bus, & Off-Road Headers(13)



Automotive, Truck, Bus, & Off-Road Housings(1)



Data Connectivity Housings(5)



Infotainment & Multimedia Cable Assemblies(1)



Other Automotive Connector Accessories(1)



Portable Crimp Tools(3)

Customers Also Bought



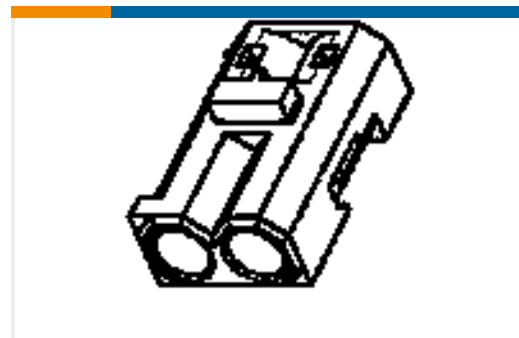
TE Model / Part #1-1355426-1
FIB OPT AUFNA-GEH2P



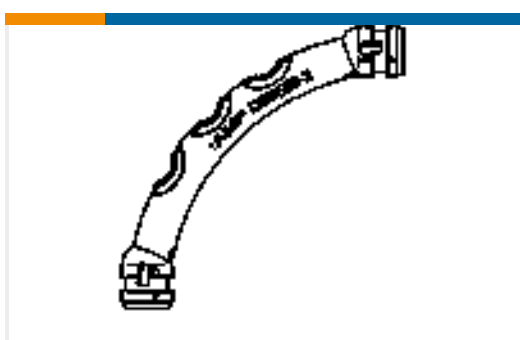
TE Model / Part #1-1394916-1
LWL KUPPLUNG 2P



TE Model / Part #1-1418862-0
2POS. FIBER OPTIC HARNESS CONNECTOR



TE Model / Part #1-1355531-1
LWL GEH ,ASSY 2P,SW



TE Model / Part #1355555-2
LWL KNICKSCHUTZ



TE Model / Part #2151107-2
OCEAN_2.0_APPLICATOR-S-110F1400V



TE Model / Part #7-2151480-7
OCEAN_2.0_SPARE_PART_KIT-070F130SP



TE Model / Part #8-528030-1
HZ MOST SCHNEIDEN



Documents

Product Drawings

INLINE CONNECTOR

English

CAD Files

3D PDF

3D

Customer View Model

[ENG_CVM_CVM_1355734-1_D.2d_dxf.zip](#)

English

Customer View Model

[ENG_CVM_CVM_1355734-1_D.3d_igs.zip](#)

English

Customer View Model

[ENG_CVM_CVM_1355734-1_D.3d_stp.zip](#)

English

By downloading the CAD file I accept and agree to the [Terms and Conditions](#) of use.

Product Specifications

Application Specification

English

[Connector with optical contacts \(MOST\) and electrical contacts](#)

English