

Printed Circuit Board Headers

**Technical Features**

**No. of Positions:**

12 Positions Assembly (2 × 6)

**Housing Material:**

PBT GF15

**Material and Finish:**

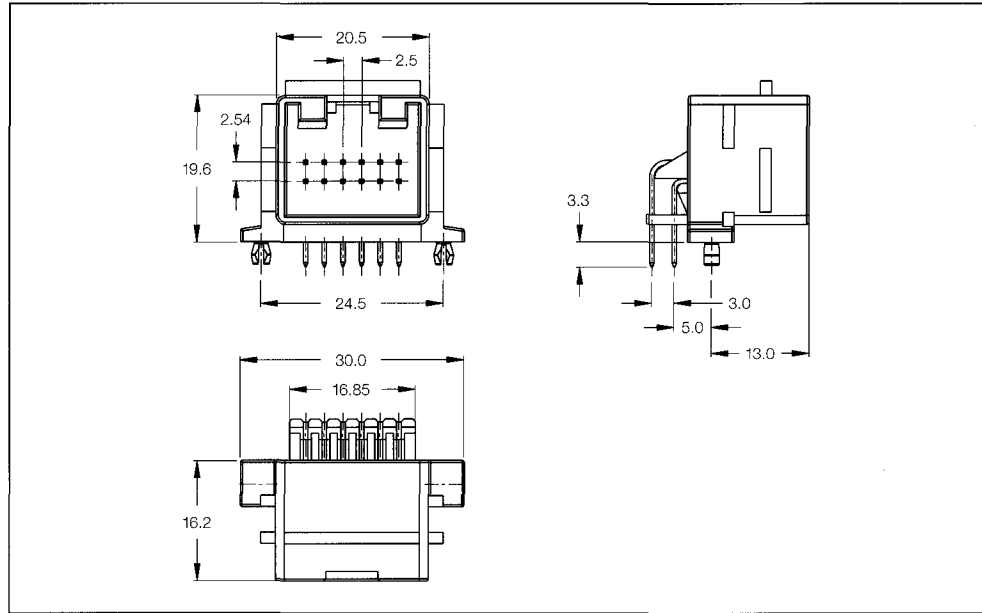
CuSn, tin plated

**Product Specification:**

108-18692-0

**Application Specification:**

—



**12 Position PCB Header**

No. of Pos.	Keying Options	Housing Color	Part Numbers					
			PCB Header Right-Angle	PCB Header Vertical	Cover	Cover and Lever	Retainer Housing	Mating Receptacle Housing
12	—	Black	967250-1	—	—	—	—	1534100-1 & 1-1534096-1

**Technical Features**

**No. of Positions:**

12 Positions

**Housing Material:**

PA 6 GF10 + GF20

**Material and Finish:**

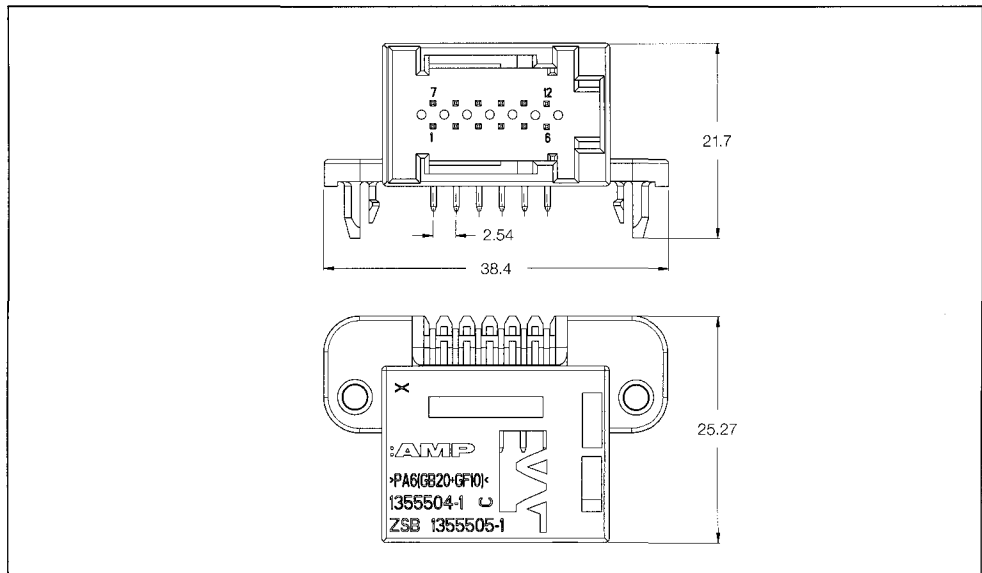
CuSn, tin plated

**Product Specification:**

108-18671-0

**Application Specification:**

114-18314-0



**12 Position PCB Headers**

No. of Pos.	Keying Options	Housing Color	Part Numbers					
			PCB Header Right-Angle	PCB Header Vertical	Cover	Cover and Lever	Retainer Housing	Mating Receptacle Housing
12	Z	Black	1355505-1	—	—	929051-1	—	—
	B	Light-Grey	1355505-3	—	—	—	—	968473
	B	Light-Grey	1355505-4*	—	—	—	—	—

\* Material: CuSn + CuFe