

1326359-1 ✓ ACTIVE

1.5/2.8 Connector System

TE Internal #: 1326359-1

Housing for Female Terminals, Wire-to-Board / Wire-to-Wire, 11 Position, .197 in [5 mm] Centerline, Black, Signal, 1.5/2.8 Connector System

[View on TE.com >](#)



Connectors > Automotive Connectors > Automotive Housings > 1.5/2.8 CONNECTOR SYSTEM, HOUSING



Connector & Housing Type: **Housing for Female Terminals**

Mating Tab Width: **2.8 mm [.11 in]**

Connector System: **Wire-to-Board, Wire-to-Wire**

Number of Positions: **11**

Centerline (Pitch): **5 mm [.197 in]**

[All 1.5/2.8 CONNECTOR SYSTEM, HOUSING \(18\)](#)

Features

Product Type Features

Connector Shape	Rectangular
Connector & Housing Type	Housing for Female Terminals
Connector System	Wire-to-Board, Wire-to-Wire
Sealable	No
Hybrid Connector	No
Primary Locking Feature	Integrated in Housing

Configuration Features

Number of Positions	11
Number of Rows	1

Body Features

Cable Exit Angle	180°
Primary Product Color	Black



Connector & Keying Code	A
-------------------------	---

Contact Features

Contact Size	2.8mm
--------------	-------

Contact Type	Receptacle
--------------	------------

Mating Tab Width	2.8 mm[.11 in]
------------------	----------------

Mechanical Attachment

Terminal Position Assurance	Yes
-----------------------------	-----

Mating Alignment Type	Keyed
-----------------------	-------

Mating Alignment	With
------------------	------

Connector Mounting Type	Cable Mount (Free-Hanging)
-------------------------	----------------------------

Housing Features

Housing Material	PBT
------------------	-----

Centerline (Pitch)	5 mm[.197 in]
--------------------	---------------

Dimensions

Connector Height	25.85 mm[.978 in]
------------------	-------------------

Product Width	24.7 mm[.972 in]
---------------	------------------

Product Length	75.13 mm[2.95 in]
----------------	-------------------

Operation/Application

Circuit Application	Signal
---------------------	--------

Industry Standards

Agency/Standard	SAE/USCAR-2
-----------------	-------------

Packaging Features

Packaging Quantity	1
--------------------	---

Packaging Method	Package
------------------	---------

Other

Connector Position Assurance Capable	No
--------------------------------------	----

Product Compliance

[For compliance documentation, visit the product page on TE.com>](#)

EU RoHS Directive 2011/65/EU	Compliant
------------------------------	-----------

EU ELV Directive 2000/53/EC	Compliant
-----------------------------	-----------

China RoHS 2 Directive MIIT Order No 32, 2016	No Restricted Materials Above Threshold
---	---



EU REACH Regulation (EC) No. 1907/2006

Current ECHA Candidate List: JAN 2023 (233)

Candidate List Declared Against: JAN 2023 (233)

Does not contain REACH SVHC

Halogen Content

Low Halogen - Br, Cl, F, I < 900 ppm per homogenous material. Also BFR/CFR/PVC Free

Solder Process Capability

Not reviewed for solder process capability

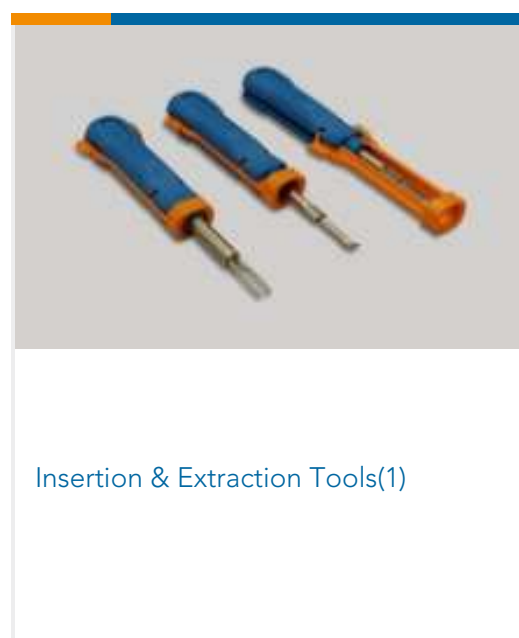
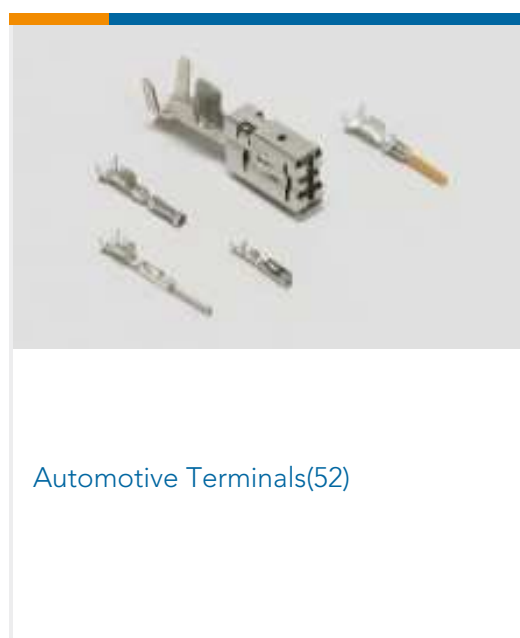
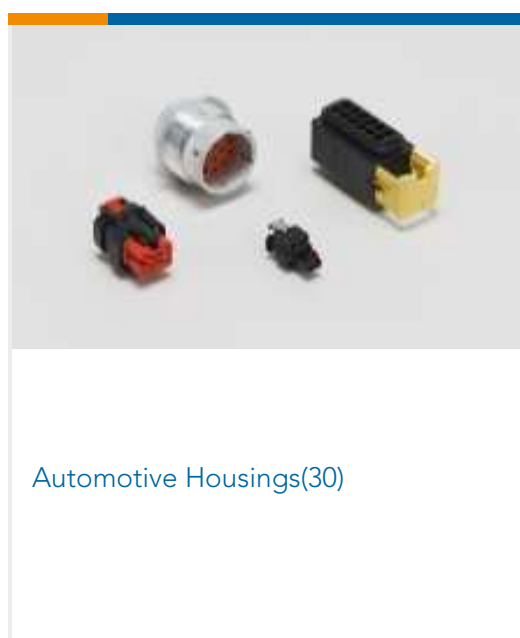
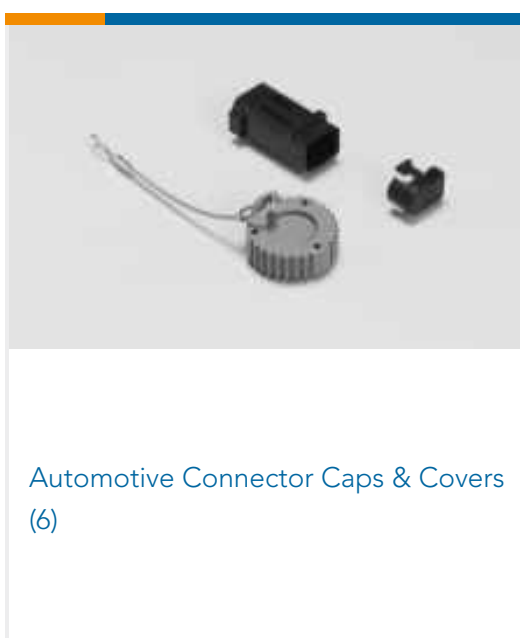
Product Compliance Disclaimer

This information is provided based on reasonable inquiry of our suppliers and represents our current actual knowledge based on the information they provided. This information is subject to change. The part numbers that TE has identified as EU RoHS compliant have a maximum concentration of 0.1% by weight in homogenous materials for lead, hexavalent chromium, mercury, PBB, PBDE, DBP, BBP, DEHP, DIBP, and 0.01% for cadmium, or qualify for an exemption to these limits as defined in the Annexes of Directive 2011/65/EU (RoHS2). Finished electrical and electronic equipment products will be CE marked as required by Directive 2011/65/EU. Components may not be CE marked. Additionally, the part numbers that TE has identified as EU ELV compliant have a maximum concentration of 0.1% by weight in homogenous materials for lead, hexavalent chromium, and mercury, and 0.01% for cadmium, or qualify for an exemption to these limits as defined in the Annexes of Directive 2000/53/EC (ELV). Regarding the REACH Regulation, the information TE provides on SVHC in articles for this part number is based on the latest European Chemicals Agency (ECHA) 'Guidance on requirements for substances in articles' posted at this URL: <https://echa.europa.eu/guidance-documents/guidance-on-reach>

Compatible Parts



Also in the Series | 1.5/2.8 Connector System





Other Automotive Connector Accessories(1)

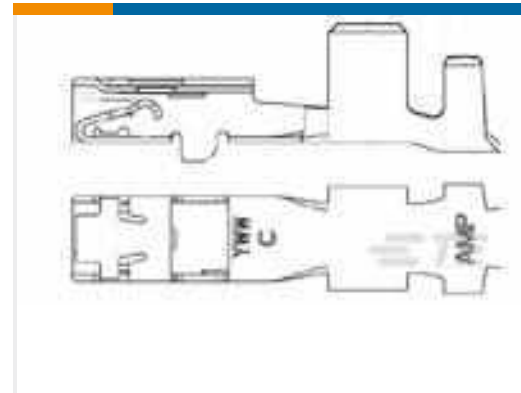
Customers Also Bought



TE Part #1456471-1
8p Hybrid 0.64/2.8 Unsealed PI



TE Part #4-1924067-2
2POS, MCON 1.2 CB REC 2p TL SEALED



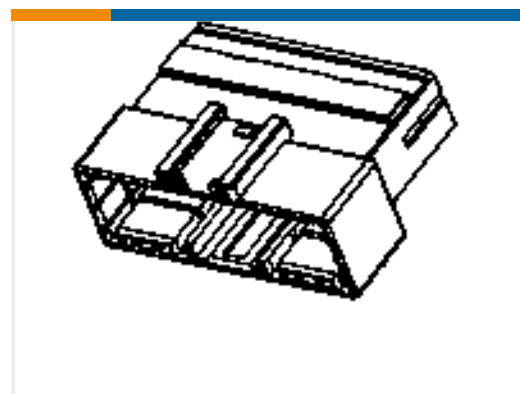
TE Part #1326030-7
2.8MM RECP,UNSEAL,14-16AWG,REV



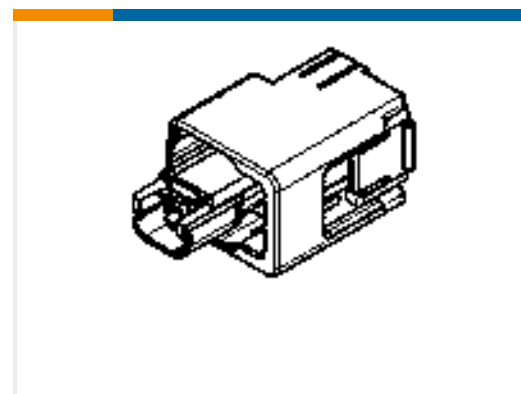
TE Part #1924968-3
Contact, male 0.64, 20 to 22 AWG



TE Part #1379217-5
5POS MIXED MQS REC COD A



TE Part #936129-1
090III 10P CAP ASSY



TE Part #1438426-3
0.64MM, 2POSN SEALED PLUG, GRA



TE Part #1-2177198-1
COVER,10 POS. MQS,BL



TE Part #1-2035077-1
PLUG HSG, 4 POSN HYBRID 0.64/2.8



TE Part #2-2177198-1
COVER,10 POS. MQS,NA

Documents

Product Drawings

[11P 2.8MM LVG-HNG PLUG - KEY A](#)

English

CAD Files

Customer View Model

[ENG_CVM_CVM_1326359-1_D.2d_dxf.zip](#)

English

[3D PDF](#)



3D

Customer View Model

[ENG_CVM_CVM_1326359-1_D.3d_igs.zip](#)

English

Customer View Model

[ENG_CVM_CVM_1326359-1_D.3d_stp.zip](#)

English

By downloading the CAD file I accept and agree to the [Terms and Conditions](#) of use.

Instruction Sheets

[Instruction Sheet \(U.S.\)](#)

English