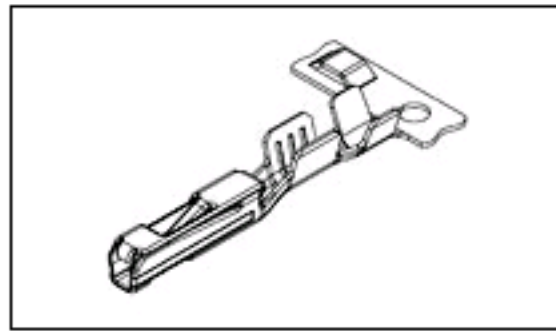


## 1326028-3 Product Details

[Share](#) | [Print](#) | [Email](#)


1326028-3

TE Internal Number: 1326028-3

Active

[View 3D PDF](#)

### Miscellaneous Automotive

[Always EU RoHS/ELV Compliant \(Statement of Compliance\)](#)

#### Product Highlights:

- Contact
- Contact Configuration = Receptacle
- Mount = Wire Crimp
- Wire Range = 0.30-0.90<sup>2</sup> [22-18] mm [AWG]
- Gold Contact Plating, Mating Area, Material

[View all Features](#)

### Quick Links

- ▶ [Check Pricing & Availability](#)
- ▶ [Search for Tooling](#)
- ▶ [Product Feature Selector](#)
- ▶ [Contact Us About This Product](#)

[Add to My Part List](#) | [Request Sample](#) | [Find Similar Products](#) | [Buy Product](#)

### Documentation & Additional Information

<p><b>Product Drawings:</b></p> <ul style="list-style-type: none"> <li>• <a href="#">CONTACT, FEMALE, 0.64mm GOLD PLATED</a> (PDF, English)</li> </ul> <p><b>Catalog Pages/Data Sheets:</b></p> <ul style="list-style-type: none"> <li>• None Available</li> </ul> <p><b>Product Specifications:</b></p> <ul style="list-style-type: none"> <li>• <a href="#">0.64 mm USCAR Contact System</a> (PDF, English)</li> </ul> <p><b>Application Specifications:</b></p> <ul style="list-style-type: none"> <li>• <a href="#">0.64 mm Contact System</a> (PDF, English)</li> </ul> <p><b>Instruction Sheets:</b></p> <ul style="list-style-type: none"> <li>• <a href="#">0.64 mm Automotive 32-Position Plug Connector Assembly</a> (PDF, English)</li> <li>• <a href="#">0.64 mm Automotive Sealed Plug Connectors</a> (PDF, English)</li> <li>• <a href="#">0.64mm Unsealed Dual-Row Automotive Plug Connectors ...</a> (PDF, English)</li> </ul> <p><b>CAD Files:</b> (<a href="#">CAD Format &amp; Compression Information</a>)</p> <ul style="list-style-type: none"> <li>• <a href="#">2D Drawing</a> (DXF, Version C)</li> <li>• <a href="#">3D Model</a> (IGES, Version C)</li> <li>• <a href="#">3D Model</a> (STEP, Version C)</li> </ul>	<p><b>Additional Information:</b></p> <ul style="list-style-type: none"> <li>• <a href="#">Product Line Information</a></li> </ul> <p><b>Related Products:</b></p> <ul style="list-style-type: none"> <li>• <a href="#">Tooling</a></li> </ul>
--	--

[List all Documents](#)

### Product Features (Please use the Product Drawing for all design activity)

<p><b>Product Type Features:</b></p> <ul style="list-style-type: none"> <li>• <a href="#">Product Type</a> = Contact</li> <li>• Mount = Wire Crimp</li> <li>• Finish = Gold (30)</li> </ul> <p><b>Termination Features:</b></p> <ul style="list-style-type: none"> <li>• Receptacle Size (mm [in]) = 0.64 [0.025]</li> </ul> <p><b>Body Features:</b></p> <ul style="list-style-type: none"> <li>• <a href="#">Wire Range (mm [AWG])</a> = 0.30-0.90<sup>2</sup> [22-18]</li> </ul> <p><b>Contact Features:</b></p> <ul style="list-style-type: none"> <li>• <a href="#">Contact Configuration</a> = Receptacle</li> <li>• <a href="#">Contact Plating, Mating Area, Material</a> = Gold</li> <li>• Contact Base Material = Copper Alloy</li> <li>• Shunt Contact Area Plating = Gold (15)</li> </ul>	<p><b>Industry Standards:</b></p> <ul style="list-style-type: none"> <li>• <a href="#">RoHS/ELV Compliance</a> = RoHS compliant, ELV compliant</li> <li>• <a href="#">Lead Free Solder Processes</a> = Not reviewed for lead free solder process</li> <li>• RoHS/ELV Compliance History = Always was RoHS compliant</li> </ul> <p><b>Other:</b></p> <ul style="list-style-type: none"> <li>• Brand = AMP</li> </ul>
---	---

#### Corporate Information

- [About TE](#)
- [Investors](#)
- [News Room](#)
- [Supplier Portal](#)
- [Careers](#)

#### Quick Links

- [Check Distributor Inventory](#)
- [Cross Reference Products](#)
- [Find Documents & Drawings](#)
- [Product Compliance Support Center](#)
- [Site Map](#)

#### Customer Support

- [Email or Chat With Us](#)
- [Find a Phone Number](#)
- [Search Knowledge Base](#)
- [Manage Your Account](#)

#### Keep Me Informed

Receive TE News, Events & Technology Updates

Enter your email address

