

**Industrial Ethernet  
IE-PCB-M12X-S-180**

**Weidmüller Interface GmbH & Co. KG**  
Klingenbergstraße 16  
D-32758 Detmold  
Germany  
Fon: +49 5231 14-0  
Fax: +49 5231 14-292083  
www.weidmueller.com



M12 X type cat. 6A PCB socket, pre-assembled or 2-piece, reflow compatible

**General ordering data**

Type	IE-PCB-M12X-S-180
Order No.	<a href="#">1324010000</a>
Version	PCB plug-in connector, M12, Solder connection, Cat.6 <sub>A</sub> / Class E <sub>A</sub> (ISO/IEC 11801 2010), IP67, when screwed in, Reflow compatible, 1-part
GTIN (EAN)	4050118127775
Qty.	10 pc(s).

**Industrial Ethernet  
IE-PCB-M12X-S-180**

**Weidmüller Interface GmbH & Co. KG**  
 Klingenbergstraße 16  
 D-32758 Detmold  
 Germany  
 Fon: +49 5231 14-0  
 Fax: +49 5231 14-292083  
 www.weidmueller.com

**Technical data**
**Dimensions and weights**

Wall thickness, max.	2.5 mm	Wall thickness, min.	0.9 mm
Net weight	11.75 g		

**Temperatures**

Operating temperature, max.	85 °C	Operating temperature, min.	-40 °C
Operating temperature	-40 °C...85 °C	Storage temperature	
Installation temperature			

**General Info**

Connection 1	M12	Connection 2	Solder connection
Configuration	Reflow compatible	Housing main material	CuZn
Category	Cat.6 <sub>A</sub> / Class E <sub>A</sub> (ISO/IEC 11801 2010)	connection thread	M12
Contact material	CuZn	Contact surface	Gold over nickel
Shielding material	CuSn	Shielding	360° all-round enclosure
Protection degree	IP67, when screwed in	Plugging cycles	≥ 100

**Electrical properties**

Current-carrying capacity at 50 °C	0.5 A @ 40 °C	Insulation resistance	100 MΩ
Rated voltage	48 V		

**Standards**

Connector standard	IEC 61076-2-109	Certificate no. (cULus)	E316369
--------------------	-----------------	-------------------------	---------

**Downloads**

UL Approval	DUXR.E316369.pdf
-------------	------------------

**Classifications**

ETIM 6.0	EC002638	eClass 6.2	27-25-05-04
eClass 7.1	27-25-05-04	eClass 8.1	19-17-01-25
eClass 9.0	19-17-01-25	eClass 9.1	27-44-03-09

**Approvals**

Approvals



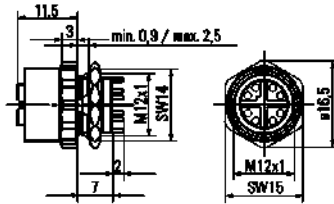
ROHS	Conform
------	---------

**Industrial Ethernet  
IE-PCB-M12X-S-180**

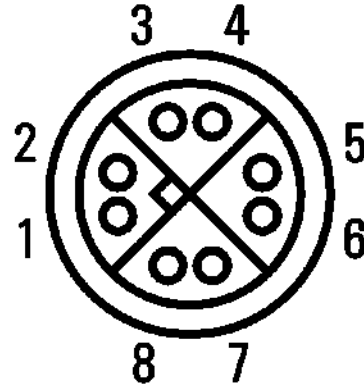
**Weidmüller Interface GmbH & Co. KG**  
 Klingenbergstraße 16  
 D-32758 Detmold  
 Germany  
 Fon: +49 5231 14-0  
 Fax: +49 5231 14-292083  
 www.weidmueller.com

**Drawings**

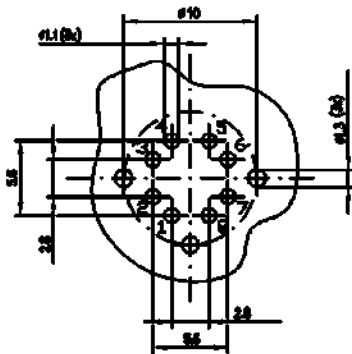
**Dimensioned drawing**



**Pinning**



**Drilling template**



**Installation cut-out**

