



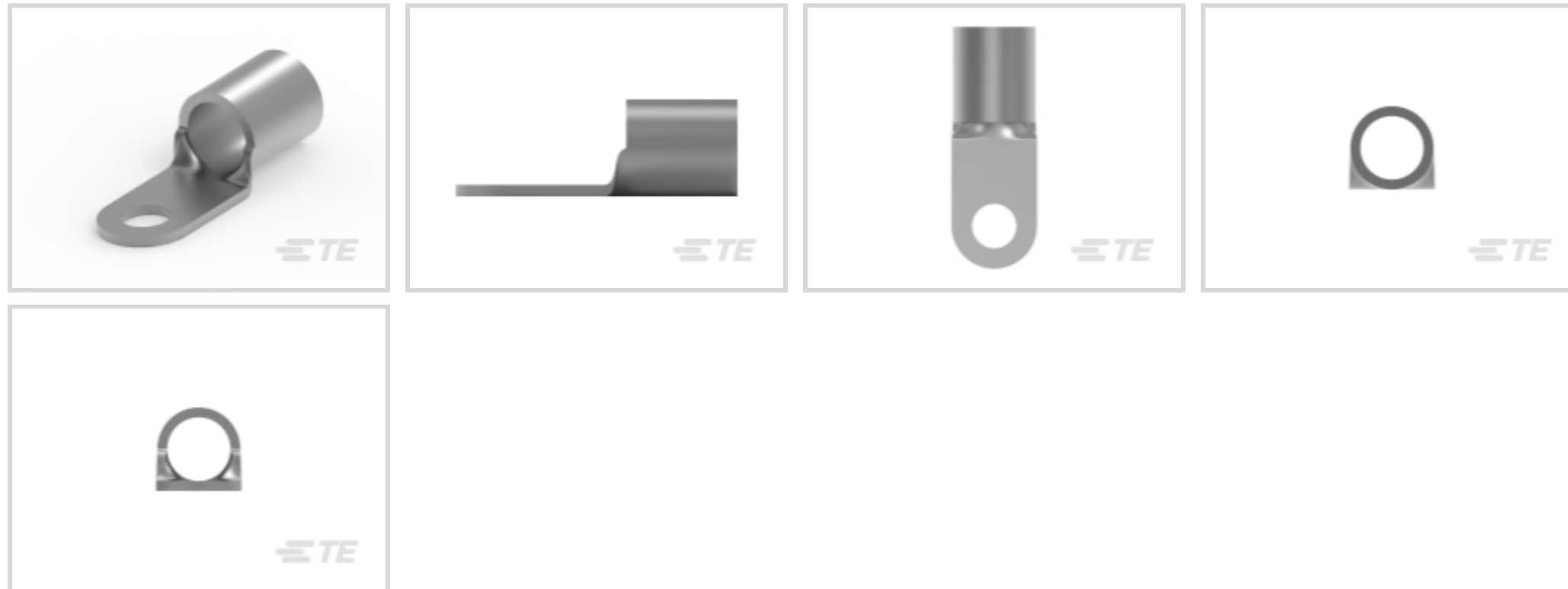
SOLISTRAND

TE Internal #: 132066-2

Closed Ring Tongue Terminal, 1/0 AWG, 5/16 / M8 Stud Size, 8.33 mm [.328 in] Stud Diameter, Closed Barrel, Straight, Nickel, Uninsulated

[View on TE.com >](#)

Terminals & Splices > Ring Terminals



Ring Terminal Product Type: Closed Ring Tongue Terminal

Wire Size: 98676 – 118412 CMA

Stud Size: 5/16, M8

Features

Product Type Features

Ring Terminal Product Type	Closed Ring Tongue Terminal
Stud Size	5/16, M8
Sealable	No
Wire Insulation Support Retention Type	Insulation Support

Configuration Features

Number of Holes	1
-----------------	---

Body Features

Product Weight	17.99 g
----------------	---------

Contact Features

Barrel Type	Closed
Terminal Orientation	Straight
Terminal Plating Material	Nickel

Mechanical Attachment

Wire Insulation Support	Without
-------------------------	---------

Dimensions



Wire Size	98676 – 118412 CMA
Stud Diameter	8.33 mm [.328 in]
Tongue Thickness	.79 mm [.031 in]
Product Length	45.47 mm [1.79 in]
Barrel Inside Diameter	11.28 mm [.444 in]

Usage Conditions

Insulation Option	Uninsulated
Operating Temperature Range	343 °C [649 °F]

Operation/Application

Compatible With Wire Base Material	Nickel
Compatible With Wire Plating Material	Nickel

Industry Standards

Government Qualified Terminal	No
-------------------------------	----

Packaging Features

Packaging Quantity	50
Packaging Method	Loose Piece

Product Compliance

[For compliance documentation, visit the product page on TE.com>](#)

EU RoHS Directive 2011/65/EU	Compliant
EU ELV Directive 2000/53/EC	Compliant
China RoHS 2 Directive MIIT Order No 32, 2016	No Restricted Materials Above Threshold
EU REACH Regulation (EC) No. 1907/2006	Current ECHA Candidate List: JUNE 2024 (241) Candidate List Declared Against: JAN 2024 (240) Does not contain REACH SVHC
Halogen Content	Low Halogen - Br, Cl, F, I < 900 ppm per homogenous material. Also BFR/CFR/PVC Free
Solder Process Capability	Not applicable for solder process capability

Product Compliance Disclaimer


This information is provided based on reasonable inquiry of our suppliers and represents our current actual knowledge based on the information they provided. This information is subject to change. The part numbers that TE has identified as EU RoHS compliant have a maximum concentration of 0.1% by weight in homogenous materials for lead, hexavalent chromium, mercury, PBB, PBDE, DBP, BBP, DEHP, DIBP, and 0.01% for cadmium, or qualify for an exemption to these

limits as defined in the Annexes of Directive 2011/65/EU (RoHS2). Finished electrical and electronic equipment products will be CE marked as required by Directive 2011/65/EU. Components may not be CE marked. Additionally, the part numbers that TE has identified as EU ELV compliant have a maximum concentration of 0.1% by weight in homogenous materials for lead, hexavalent chromium, and mercury, and 0.01% for cadmium, or qualify for an exemption to these limits as defined in the Annexes of Directive 2000/53/EC (ELV). Regarding the REACH Regulation, the information TE provides on SVHC in articles for this part number is based on the latest European Chemicals Agency (ECHA) 'Guidance on requirements for substances in articles' posted at this URL: <https://echa.europa.eu/guidance-documents/guidance-on-reach>

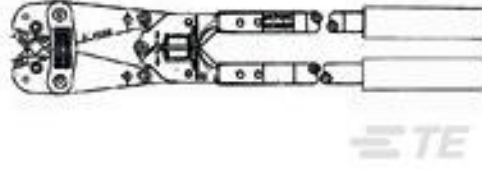
Compatible Parts



TE Part # 1490749-1
HYP10 8-4/0AWG MANUAL TOOL



TE Part # 48131
HYP8 SOLIS 1/0-4/0AWG INDENTER



TE Part # 600850
ROTO-CRIMP TOOL (ASI)



TE Part # 59973-1
HYP8 8-4/0AWG MANUAL TOOL-No Dies



TE Part # 1490748-1
HYP10 MANUAL TOOL



TE Part # 48183
PNEUMATIC SOLIS STRATO 1 0 HEAD

Customers Also Bought



TE Part #1577620-1
TERMINAL RT PIDG PEEK STRATO 24-22 AWG



TE Part #1577647-1
TERMINAL RT PIDG PEEK STRATO 10 AWG



TE Part #1577621-1
TERMINAL RT PIDG PEEK STRATO 24-22 AWG



TE Part #1577648-1
TERMINAL RT PIDG PEEK STRATO 10 AWG



TE Part #323170
TERMINAL,SOLIS R HR 6 1/4



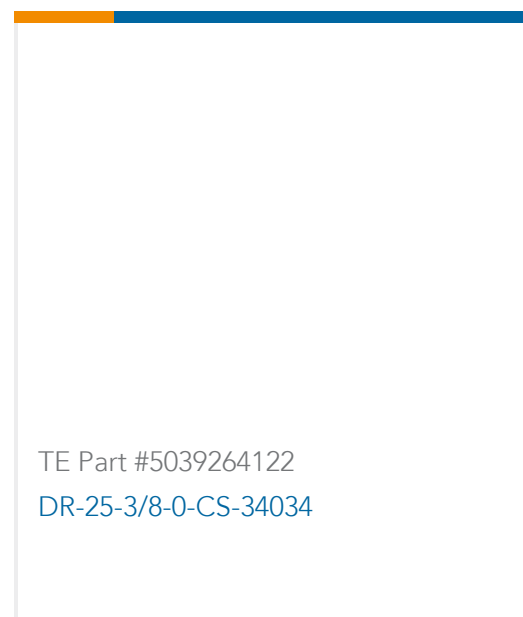
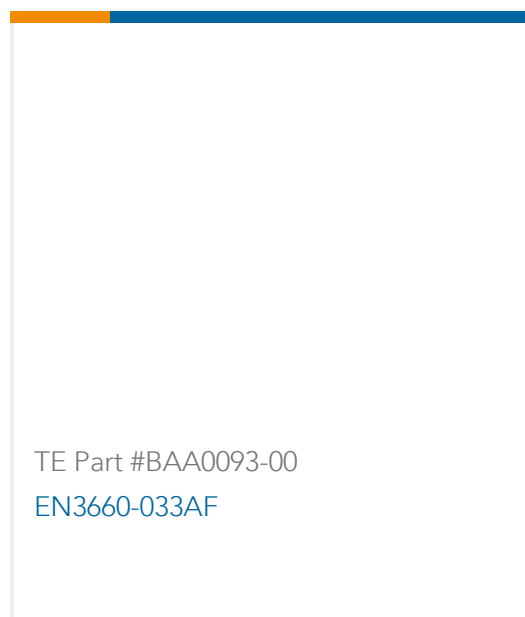
TE Part #1577632-1
TERMINAL RT PIDG PEEK STRATO 18-16 AWG



TE Part #1577646-1
TERMINAL RT PIDG PEEK STRATO 10 AWG



TE Part #150453
TERM, RT, STRAT, SOLIS, HR, 2, M8(5/16)



Documents

Product Drawings

[TERMINAL SOLISTRAND RING HR 1/0](#)

English

CAD Files

[3D PDF](#)

3D

Customer View Model

[ENG_CVM_CVM_132066-2_E.2d_dxf.zip](#)

English

Customer View Model

[ENG_CVM_CVM_132066-2_E.3d_igs.zip](#)

English

Customer View Model

[ENG_CVM_CVM_132066-2_E.3d_stp.zip](#)

English

By downloading the CAD file I accept and agree to the [Terms and Conditions](#) of use.