



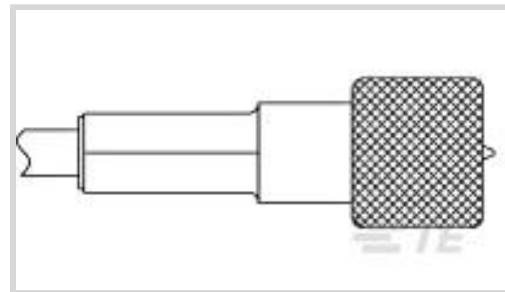
Microdot

TE Internal #: 1466328-1

SMB RF Interface, Plug, 50 Ω, Threaded, 1 Position, Sealable, Wire & Cable, Cable Mount (Free-Hanging), -55 – 125 °C, Crimp, Straight, Brass, Plated

[View on TE.com >](#)

Connectors > RF Connectors > Coax Connectors



RF Interface: **SMB**

RF Connector Style: **Plug**

RF Connector Mated Outer Diameter (Approximate): **4.75 mm [.187 in]**

Impedance: **50 Ω**

RF Connector Coupling Mechanism: **Threaded**

Features

Product Type Features

| | |
|-----------------------------------|--------------------|
| Connector Shape | Circular |
| Connector Product Type | Connector Assembly |
| Connector Seal & Plug Type | Gasket |
| RF Interface | SMB |
| RF Connector Style | Plug |
| Sealable | Yes |
| Connector & Contact Terminates To | Wire & Cable |

Configuration Features

| | |
|----------------------------|---|
| Number of Positions | 1 |
| Number of Coaxial Contacts | 1 |

Electrical Characteristics

| | |
|-----------|------|
| Impedance | 50 Ω |
|-----------|------|

Body Features

| | |
|-----------------------------|----------|
| Cable Connector Orientation | Straight |
| Body Material | Brass |
| Body Material Finish | Plated |
| Body Plating Material | Gold |

Contact Features



| | |
|--|------|
| RF Connector Center Contact Plating Material | Gold |
|--|------|

| | |
|--------------------------------------|--------------|
| RF Connector Center Contact Material | Copper Alloy |
|--------------------------------------|--------------|

Termination Features

| | |
|------------------------------------|-------|
| Termination Method to Wire & Cable | Crimp |
|------------------------------------|-------|

Mechanical Attachment

| | |
|---------------------------------|----------|
| RF Connector Coupling Mechanism | Threaded |
|---------------------------------|----------|

| | |
|-------------------------|----------------------------|
| Connector Mounting Type | Cable Mount (Free-Hanging) |
|-------------------------|----------------------------|

| | |
|-------------------------------|-------|
| RF Contact Captivation Method | Screw |
|-------------------------------|-------|

Dimensions

| | |
|---|------------------|
| RF Connector Mated Outer Diameter (Approximate) | 4.75 mm[.187 in] |
|---|------------------|

Usage Conditions

| | |
|-----------------------------|--------------|
| Operating Temperature Range | -55 – 125 °C |
|-----------------------------|--------------|

Packaging Features

| | |
|------------------|---------|
| Packaging Method | Package |
|------------------|---------|

Other

| | |
|---------------------|------------|
| Additional Features | Solderless |
|---------------------|------------|

| | |
|-------|------------|
| Grade | Commercial |
|-------|------------|

| | |
|---------------------|------|
| Dielectric Material | PTFE |
|---------------------|------|

Product Compliance

[For compliance documentation, visit the product page on TE.com>](#)

| | |
|------------------------------|-----------|
| EU RoHS Directive 2011/65/EU | Compliant |
|------------------------------|-----------|

| | |
|-----------------------------|-----------|
| EU ELV Directive 2000/53/EC | Compliant |
|-----------------------------|-----------|

| | |
|---|---|
| China RoHS 2 Directive MIIT Order No 32, 2016 | No Restricted Materials Above Threshold |
|---|---|

| | |
|--|--|
| EU REACH Regulation (EC) No. 1907/2006 | <p>Current ECHA Candidate List: JUNE 2024 (241)</p> <p>Candidate List Declared Against: JAN 2024 (240)</p> <p>SVHC > Threshold:</p> <p>Pb (.6% in 2-1484605-5 - Pin Contact)</p> <p>Pb (1.5% in 4-1532062-6 - Middle Crimp Sleeve)</p> <p>Pb (3.7% in 5-1532062-0 - Inner Sleeve)</p> |
|--|--|

Article Safe Usage Statements:

Do not eat, drink or smoke when using this product. Wash thoroughly after handling. Recycle if possible and dispose of the article by following all applicable governmental regulations relevant to your geographic location.

| | |
|-----------------|--------------------------------------|
| Halogen Content | Not Yet Reviewed for halogen content |
|-----------------|--------------------------------------|

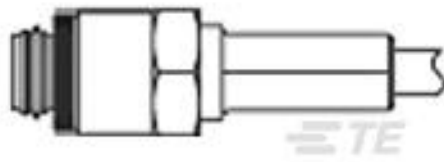
Solder Process Capability

Wave solder capable to 265°C

Product Compliance Disclaimer

This information is provided based on reasonable inquiry of our suppliers and represents our current actual knowledge based on the information they provided. This information is subject to change. The part numbers that TE has identified as EU RoHS compliant have a maximum concentration of 0.1% by weight in homogenous materials for lead, hexavalent chromium, mercury, PBB, PBDE, DBP, BBP, DEHP, DIBP, and 0.01% for cadmium, or qualify for an exemption to these limits as defined in the Annexes of Directive 2011/65/EU (RoHS2). Finished electrical and electronic equipment products will be CE marked as required by Directive 2011/65/EU. Components may not be CE marked. Additionally, the part numbers that TE has identified as EU ELV compliant have a maximum concentration of 0.1% by weight in homogenous materials for lead, hexavalent chromium, and mercury, and 0.01% for cadmium, or qualify for an exemption to these limits as defined in the Annexes of Directive 2000/53/EC (ELV). Regarding the REACH Regulation, the information TE provides on SVHC in articles for this part number is based on the latest European Chemicals Agency (ECHA) 'Guidance on requirements for substances in articles' posted at this URL: <https://echa.europa.eu/guidance-documents/guidance-on-reach>

Compatible Parts



TE Part # 1467952-1
131-0134-0001

Customers Also Bought



TE Part #211870-2
SEALING CAP ASSY,SZ 13,CPC



TE Part #3-640440-4
MTA Receptacle: Nylon, Tin Plated, 2.54 mm



TE Part #640456-4
04P MTA100 HDR ASSY F/L SQ STR



TE Part #2-2176070-5
3521 100R 1% 2W



TE Part #58495-1
PRO CRIMPER ASSY MULTIMATE



TE Part #T4110511041-000
M12 F, 4P GOLD D_CODE S SHIELDED PG7



TE Part #2823064-1
M12-DUST CAP-FEMALE CONN-IP67-W/O SLEEVE



TE Part #6-2271116-2
M12, FEMALE, A CODE, 12P, PG9 (AU)



Documents

Product Drawings

[132-0115-0002=PLUG,STR GC-50](#)

English

CAD Files

3D PDF

3D

Customer View Model

[ENG_CVM_CVM_1466328-1_K.2d_dxf.zip](#)

English

Customer View Model

[ENG_CVM_CVM_1466328-1_K.3d_igs.zip](#)

English

Customer View Model

[ENG_CVM_CVM_1466328-1_K.3d_stp.zip](#)

English

By downloading the CAD file I accept and agree to the [Terms and Conditions](#) of use.

Instruction Sheets

[Instruction Sheet \(U.S.\)](#)

English