

THIS DRAWING IS UNPUBLISHED.

RELEASED FOR PUBLICATION

20

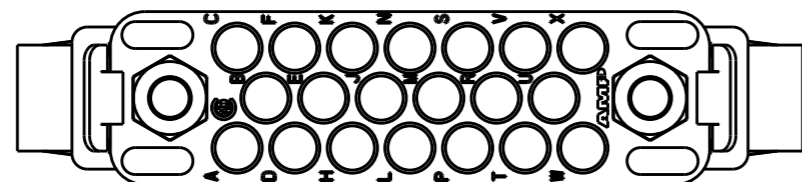
© COPYRIGHT 20 BY -

ALL RIGHTS RESERVED.

LOC F DIST 00

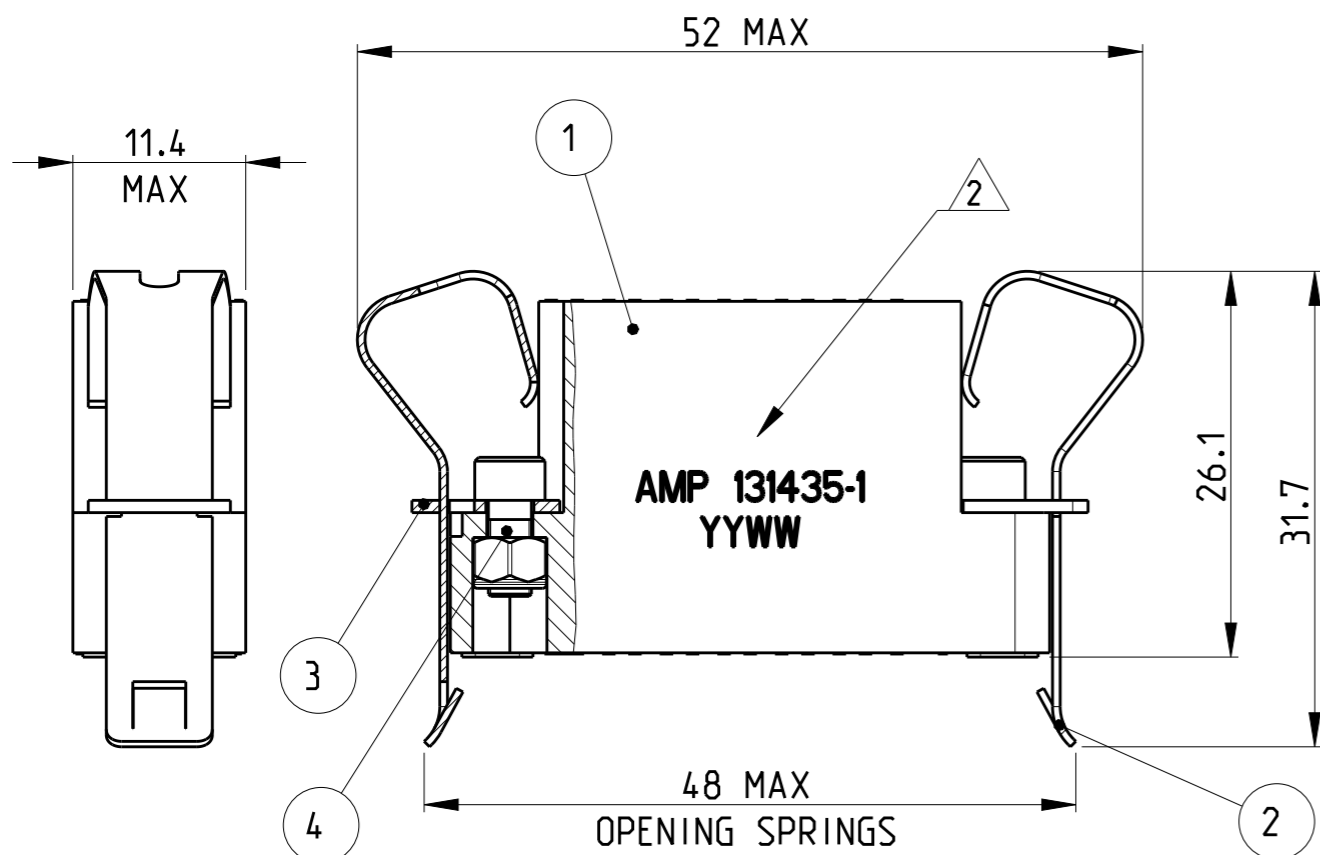
REVISIONS

P	LTR	DESCRIPTION	DATE	DWN	APVD
	B	REDRAWN ON CAD WITHOUT PRODUCT CHANGE	11OCT2012	TC	YP

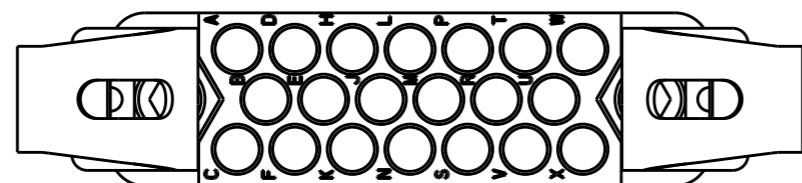


1. MATERIAL:
 HOUSING: PHENOLIC, COLOR BLACK
 CONTACTS: BRASS, GOLD PLATED

2. MARKING:
 AMP, PART NUMBER (131435-1)
 DATE-CODE (YEAR, WEEK)



-	20	-	200333-1	IN A SEPARATE BAG	SOCKET CONTACT #16 (AWG 18-16)	-
20	-	-	130743-1	IN A SEPARATE BAG	SOCKET CONTACT #16 (AWG 22-18)	-
1	1	-	131435-1	WITHOUT CONTACT	GROUNDING CONNECTOR	-
-	-	2	-	CONNECTOR SUPPLIED ASSEMBLED	FASTENER	4
-	-	2	-		YOKE	3
-	-	2	-		SPRING	2
-	-	1	-		HOUSING 20 POS.	1
131435-3	131435-2	131435-1	PART NUMBER		OBSERVATION	DESCRIPTION



THIS DRAWING IS A CONTROLLED DOCUMENT.

DIMENSIONS:		TOLERANCES UNLESS OTHERWISE SPECIFIED:	
mm			
	0 PLC	±0.3	
	1 PLC	±0.3	
	2 PLC	±0.3	
	3 PLC	±	
	4 PLC	±	
	ANGLES	±5°	
MATERIAL	FINISH	-	-

DWN	T. CORRIOU	20SEP2012
CHK	J. THUEZ	20SEP2012
APVD	Y. PETRONIN	20SEP2012
PRODUCT SPEC	-	-
APPLICATION SPEC	-	-
WEIGHT	-	-
Customer Drawing		

NAME CONNECTOR, GROUNDING, 20 POS.			
SIZE	CAGE CODE	DRAWING NO	RESTRICTED TO
A3	00779	C-131435	-
SCALE		SHEET	REV
2:1		1 OF 1	B