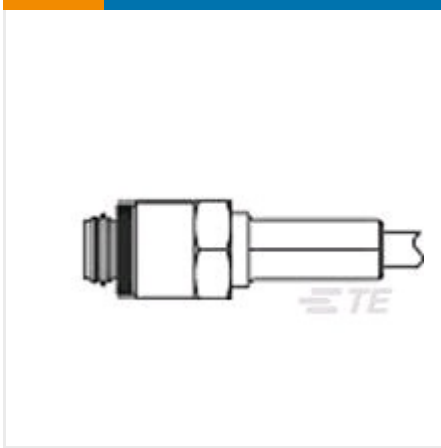




[CONNECTORS](#)

[RF CONNECTORS](#)



✓ Active

TE CONNECTIVITY (TE)

131-0136-0001=JACK,STRAIGHTGC

Microdot | [SM](#) , [SMA](#)

131-0136-0001

TE Internal Number: 3-1532005-4

[EU RoHS Compliant](#)

[EU ELV Compliant](#)

Connector Interface [SMB](#)

Connector Style [Jack](#)

Mated Outer Diameter (Approximate) [4.75 mm \[.187 in \]](#)

Impedance (Ω) [50](#)

Coupling Mechanism [Threaded](#)

[↓](#) **PRODUCT DRAWING**
[English](#)

DOCUMENTATION

Product Drawings

JACK GOLDEN CRIMP 50 OHM SERIES

PDF ([TIFF AVAILABLE](#))

English

Instruction Sheets

Instruction Sheet (U.S.)

Golden Crimp And Crimp Silver Connectors

PDF

English

FEATURES



Please review product documents or [contact us](#) for the latest agency approval information.

Please Note: Use the Product Drawing for all design activity.

Product Type Features

Connector Interface SMB

Connector Style Jack

Connector & Contact Terminates To Wire & Cable

Electrical Characteristics

Impedance (Ω) 50

Body Features

Cable Connector Orientation Straight

Body Material Brass

Body Plating Material Gold

Contact Features

Center Contact Plating Material Gold

Connector Product Type Connector Assembly

Termination Features

Termination Method to Wire & Cable Crimp

Mechanical Attachment

Coupling Mechanism Threaded

Dimensions

Mated Outer Diameter (Approximate) 4.75 mm [.187 in]

Packaging Features

Packaging Method Package

Other

Dielectric Material PTFE

Grade Commercial

Thread Size 4.83 [.19] - 32

PRODUCT COMPLIANCE



Statement of Compliance

Statement of Compliance

PDF
